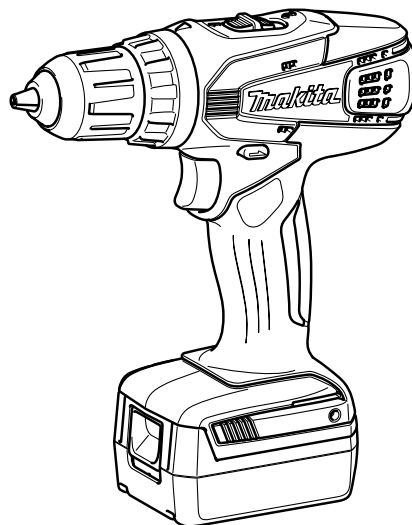
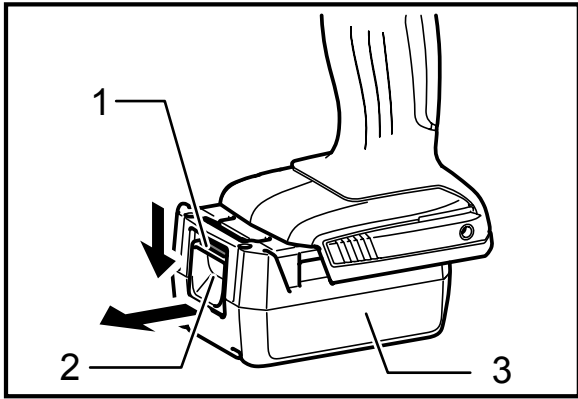




GB	Cordless Driver Drill	INSTRUCTION MANUAL
S	Sladdlös bormaskin	BRUKSANVISNING
N	Batteridrevet boreskrutrekker	BRUKSANVISNING
FIN	Akkuporakone	KÄYTTÖOHJE
LV	Bezvada skrūvgriezis-urbmašīna	LIETOŠANAS INSTRUKCIJA
LT	akumuliatorinis grąžtas	NAUDOJIMO INSTRUKCIJA
EE	Juhtmeta trell-kruvikeeraja	KASUTUSJUHEND
RUS	Аккумуляторная Дрель - шуруповерт	РУКОВОДСТВО ПО ЭКСПЛУАТАЦИИ

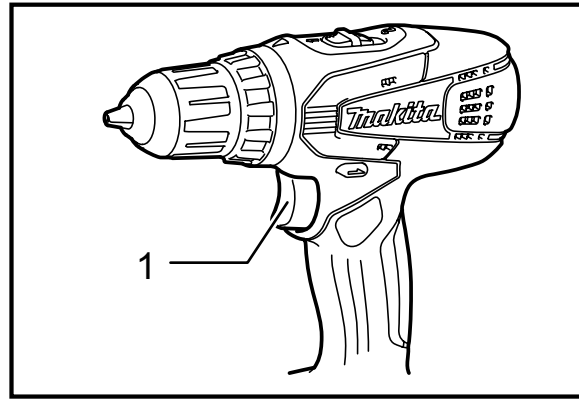
DF347D
DF457D





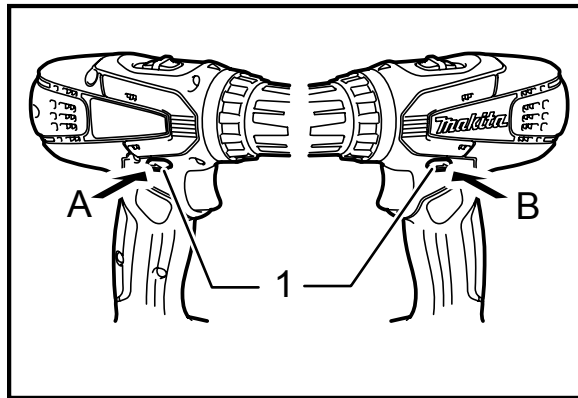
1

011779



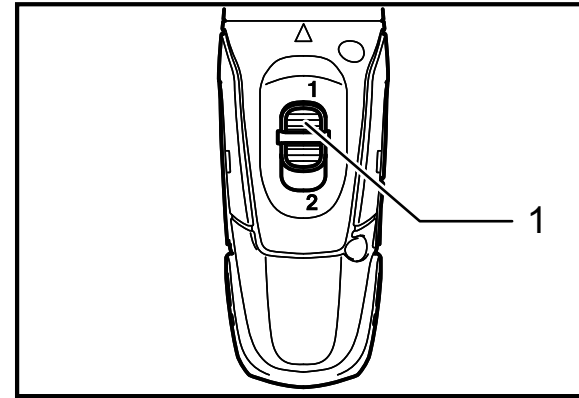
2

011780



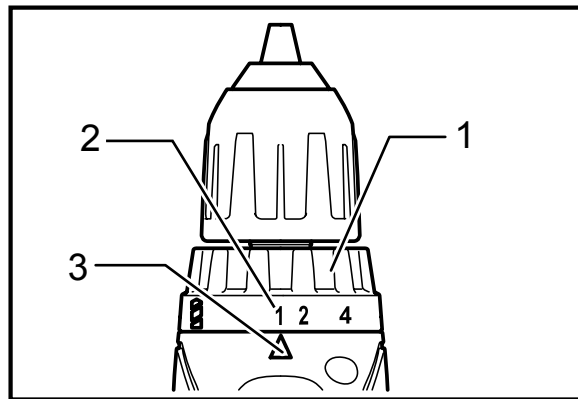
3

011781



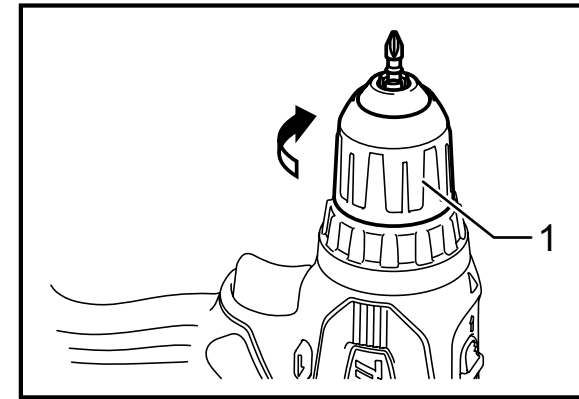
4

011782



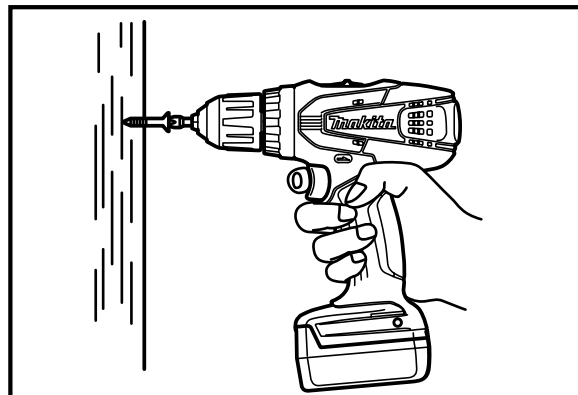
5

011783



6

011784



7

011785

ENGLISH (Original instructions)

Explanation of general view

- 1-1. Red indicator
- 1-2. Button
- 1-3. Battery cartridge
- 2-1. Switch trigger

- 3-1. Reversing switch lever
- 4-1. Speed change lever
- 5-1. Adjusting ring
- 5-2. Graduation

- 5-3. Arrow
- 6-1. Sleeve

SPECIFICATIONS

Model	DF347D	DF457D	
Capacities	Steel	10 mm	13 mm
	Wood	25 mm	36 mm
	Wood screw	5.1 x 63 mm	6 mm x 75 mm
	Machine screw	6 mm	
No load speed (min ⁻¹)	High (2)	0 - 1,400	
	Low (1)	0 - 400	
Overall length	North/South America	198 mm	228 mm
	Other countries		221 mm
Net weight	1.4 kg	1.7 kg	
Rated voltage	D.C. 14.4 V	D.C. 18 V	

- Due to our continuing programme of research and development, the specifications herein are subject to change without notice.
- Specifications and battery cartridge may differ from country to country.
- Weight, with battery cartridge, according to EPTA-Procedure 01/2003

Intended use

The tool is intended for drilling and screw driving in wood, metal and plastic.

ENE034-1

Noise

The typical A-weighted noise level determined according to EN60745:

Sound pressure level (L_{pA}): 70 dB(A) or less
Uncertainty (K): 3 dB(A)

The noise level under working may exceed 80 dB(A)

ENG905-1

Wear ear protection

Vibration

The vibration total value (tri-axial vector sum) determined according to EN60745:

Work mode: drilling into metal
Vibration emission ($a_{h,D}$): 2.5 m/s² or less
Uncertainty (K): 1.5 m/s²

ENG900-1

ENG901-1

- The declared vibration emission value has been measured in accordance with the standard test method and may be used for comparing one tool with another.
- The declared vibration emission value may also be used in a preliminary assessment of exposure.

WARNING:

- The vibration emission during actual use of the power tool can differ from the declared emission

value depending on the ways in which the tool is used.

- Be sure to identify safety measures to protect the operator that are based on an estimation of exposure in the actual conditions of use (taking account of all parts of the operating cycle such as the times when the tool is switched off and when it is running idle in addition to the trigger time).

ENH101-15

For European countries only

EC Declaration of Conformity

We Makita Corporation as the responsible manufacturer declare that the following Makita machine(s):

Designation of Machine:

Cordless Driver Drill

Model No./ Type: DF347D, DF457D

are of series production and

Conforms to the following European Directives:
2006/42/EC

And are manufactured in accordance with the following standards or standardised documents:

EN60745

The technical documentation is kept by our authorised representative in Europe who is:

Makita International Europe Ltd.

Michigan Drive, Tongwell,

Milton Keynes, Bucks MK15 8JD, England



000230

Tomoyasu Kato
Director
Makita Corporation
3-11-8, Sumiyoshi-cho,
Anjo, Aichi, 446-8502, JAPAN

GEA010-1

General Power Tool Safety Warnings

⚠ WARNING Read all safety warnings and all instructions. Failure to follow the warnings and instructions may result in electric shock, fire and/or serious injury.

Save all warnings and instructions for future reference.

GEB051-2

CORDLESS DRILL SAFETY WARNINGS

1. Use auxiliary handle(s), if supplied with the tool. Loss of control can cause personal injury.
2. Hold power tool by insulated gripping surfaces, when performing an operation where the cutting accessory may contact hidden wiring. Cutting accessory contacting a "live" wire may make exposed metal parts of the power tool "live" and could give the operator an electric shock.
3. **Always be sure you have a firm footing.** Be sure no one is below when using the tool in high locations.
4. Hold the tool firmly.
5. Keep hands away from rotating parts.
6. Do not leave the tool running. Operate the tool only when hand-held.
7. Do not touch the drill bit or the workpiece immediately after operation; they may be extremely hot and could burn your skin.
8. Some material contains chemicals which may be toxic. Take caution to prevent dust inhalation and skin contact. Follow material supplier safety data.

SAVE THESE INSTRUCTIONS.

⚠ WARNING:

DO NOT let comfort or familiarity with product (gained from repeated use) replace strict adherence to safety rules for the subject product. MISUSE or failure to follow the safety rules stated in this instruction manual may cause serious personal injury.

IMPORTANT SAFETY INSTRUCTIONS

FOR BATTERY CARTRIDGE

1. Before using battery cartridge, read all instructions and cautionary markings on (1) battery charger, (2) battery, and (3) product using battery.
2. Do not disassemble battery cartridge.
3. If operating time has become excessively shorter, stop operating immediately. It may result in a risk of overheating, possible burns and even an explosion.
4. If electrolyte gets into your eyes, rinse them out with clear water and seek medical attention right away. It may result in loss of your eyesight.
5. Do not short the battery cartridge:
 - (1) Do not touch the terminals with any conductive material.
 - (2) Avoid storing battery cartridge in a container with other metal objects such as nails, coins, etc.
 - (3) Do not expose battery cartridge to water or rain.

A battery short can cause a large current flow, overheating, possible burns and even a breakdown.
6. Do not store the tool and battery cartridge in locations where the temperature may reach or exceed 50 ° C (122 ° F).
7. Do not incinerate the battery cartridge even if it is severely damaged or is completely worn out. The battery cartridge can explode in a fire.
8. Be careful not to drop or strike battery.
9. Do not use a damaged battery.

SAVE THESE INSTRUCTIONS.

Tips for maintaining maximum battery life

1. Charge the battery cartridge before completely discharged. Always stop tool operation and charge the battery cartridge when you notice less tool power.
2. Never recharge a fully charged battery cartridge. Overcharging shortens the battery service life.
3. Charge the battery cartridge with room temperature at 10 ° C - 40 ° C (50 ° F - 104 ° F). Let a hot battery cartridge cool down before charging it.

FUNCTIONAL DESCRIPTION

⚠CAUTION:

- Always be sure that the tool is switched off and the battery cartridge is removed before adjusting or checking function on the tool.

Installing or removing battery cartridge

Fig.1

- Always switch off the tool before installing or removing of the battery cartridge.
- To remove the battery cartridge, slide it from the tool while sliding the button on the front of the cartridge.
- To install the battery cartridge, align the tongue on the battery cartridge with the groove in the housing and slip it into place. Always insert it all the way until it locks in place with a little click. If you can see the red indicator on the upper side of the button, it is not locked completely. Install it fully until the red indicator cannot be seen. If not, it may accidentally fall out of the tool, causing injury to you or someone around you.
- Do not use force when installing the battery cartridge. If the cartridge does not slide in easily, it is not being inserted correctly.

Battery protection system

The battery cartridge is equipped with the protection system, which automatically cuts off the output power for its long service life.

The tool stops during operation when the tool and/or battery are placed under the following situation. This is caused by the activation of protection system and does not show the tool trouble.

- When the tool is overloaded:
 - At this time, release the switch trigger, remove the battery cartridge and remove causes of overload and then pull the switch trigger again to restart.
- When battery cells get hot:
 - If any operation of the switch trigger, the motor will remain stopped. At this time, stop use of the tool and cool the battery cartridge.
- When the remaining battery capacity gets low:
 - If you pull the switch trigger, the motor runs again but stops soon. In this case, to prevent over discharge, remove the battery cartridge from the tool and charge it

Switch action

Fig.2

⚠CAUTION:

- Before inserting the battery cartridge into the tool, always check to see that the switch trigger actuates properly and returns to the "OFF" position when released.

To start the tool, simply pull the switch trigger. Tool speed is increased by increasing pressure on the switch trigger. Release the switch trigger to stop.

Reversing switch action

Fig.3

This tool has a reversing switch to change the direction of rotation. Depress the reversing switch lever from the A side for clockwise rotation or from the B side for counterclockwise rotation.

When the reversing switch lever is in the neutral position, the switch trigger cannot be pulled.

⚠CAUTION:

- Always check the direction of rotation before operation.
- Use the reversing switch only after the tool comes to a complete stop. Changing the direction of rotation before the tool stops may damage the tool.
- When not operating the tool, always set the reversing switch lever to the neutral position.

Speed change

Fig.4


To change the speed, first switch off the tool and then slide the speed change lever to the "2" side for high speed or "1" side for low speed. Be sure that the speed change lever is set to the correct position before operation. Use the right speed for your job.


⚠CAUTION:

- Always set the speed change lever fully to the correct position. If you operate the tool with the speed change lever positioned halfway between the "1" side and "2" side, the tool may be damaged.
- Do not use the speed change lever while the tool is running. The tool may be damaged.

Adjusting the fastening torque

Fig.5

The fastening torque can be adjusted in 17 steps by turning the adjusting ring so that its graduations are aligned with the pointer on the tool body. The fastening torque is minimum when the number 1 is aligned with the pointer, and maximum when the  marking is aligned with the pointer.

The clutch will slip at various torque levels when set at the number 1 to 16. The clutch is designed not to slip at the  marking.

Before actual operation, drive a trial screw into your material or a piece of duplicate material to determine which torque level is required for a particular application.

ASSEMBLY

⚠CAUTION:

- Always be sure that the tool is switched off and the battery cartridge is removed before carrying out any work on the tool.

Installing or removing driver bit or drill bit

Fig.6

Turn the sleeve counterclockwise to open the chuck jaws. Place the bit in the chuck as far as it will go. Turn the sleeve clockwise to tighten the chuck.

To remove the bit, turn the sleeve counterclockwise.

OPERATION

⚠CAUTION:

- Always insert the battery cartridge all the way until it locks in place. If you can see the red indicator on the upper side of the button, it is not locked completely. Insert it fully until the red indicator cannot be seen. If not, it may accidentally fall out of the tool, causing injury to you or someone around you.

Screwdriving operation

Fig.7

⚠CAUTION:

- Adjust the adjusting ring to the proper torque level for your work.

Place the point of the driver bit in the screw head and apply pressure to the tool. Start the tool slowly and then increase the speed gradually. Release the switch trigger as soon as the clutch cuts in.

⚠CAUTION:

- Make sure that the driver bit is inserted straight in the screw head, or the screw and/or bit may be damaged.

NOTE:

- When driving wood screws, predrill pilot holes to make driving easier and to prevent splitting of the workpiece. See the chart.

Nominal diameter of wood screw (mm)	Recommended size of pilot hole (mm)
3.1	2.0 - 2.2
3.5	2.2 - 2.5
3.8	2.5 - 2.8
4.5	2.9 - 3.2
4.8	3.1 - 3.4
5.1	3.3 - 3.6
5.5	3.7 - 3.9
5.8	4.0 - 4.2
6.1	4.2 - 4.4

006421

Drilling operation

First, turn the adjusting ring so that the pointer points to the ⚙ marking. Then proceed as follows.

Drilling in wood

When drilling in wood, the best results are obtained with wood drills equipped with a guide screw. The guide screw makes drilling easier by pulling the bit into the workpiece.

Drilling in metal

To prevent the bit from slipping when starting a hole, make an indentation with a center-punch and hammer at the point to be drilled. Place the point of the bit in the indentation and start drilling.

Use a cutting lubricant when drilling metals. The exceptions are iron and brass which should be drilled dry.

⚠CAUTION:

- Pressing excessively on the tool will not speed up the drilling. In fact, this excessive pressure will only serve to damage the tip of your bit, decrease the tool performance and shorten the service life of the tool.
- There is a tremendous force exerted on the tool/bit at the time of hole break through. Hold the tool firmly and exert care when the bit begins to break through the workpiece.
- A stuck bit can be removed simply by setting the reversing switch to reverse rotation in order to back out. However, the tool may back out abruptly if you do not hold it firmly.
- Always secure small workpieces in a vise or similar hold-down device.
- If the tool is operated continuously until the battery cartridge has discharged, allow the tool to rest for 15 minutes before proceeding with a fresh battery.

MAINTENANCE

⚠CAUTION:

- Always be sure that the tool is switched off and the battery cartridge is removed before attempting to perform inspection or maintenance.
- Never use gasoline, benzine, thinner, alcohol or the like. Discoloration, deformation or cracks may result.

To maintain product SAFETY and RELIABILITY, repairs, any other maintenance or adjustment should be performed by Makita Authorized Service Centers, always using Makita replacement parts.

OPTIONAL ACCESSORIES

CAUTION:

- These accessories or attachments are recommended for use with your Makita tool specified in this manual. The use of any other accessories or attachments might present a risk of injury to persons. Only use accessory or attachment for its stated purpose.

If you need any assistance for more details regarding these accessories, ask your local Makita Service Center.

- Drill bits
- Screw bits
- Various type of Makita genuine batteries and chargers
- Plastic carrying case

NOTE:

Some items in the list may be included in the tool package as standard accessories. They may differ from country to country.

SVENSKA (Originalbruksanvisning)

Förklaring till översiktsbilderna

1-1. Röd indikator
1-2. Knapp
1-3. Batterikassett
2-1. Avtryckare

3-1. Reverseringsknapp
4-1. Hastighetsknapp
5-1. Inställningsring
5-2. Gradering

5-3. Pil
6-1. Hylsa

SPECIFIKATIONER

Modell	DF347D	DF457D
Kapacitet	Stål	10 mm
	Trä	25 mm
	Träskruv	5,1 x 63 mm
	Maskinskruv	6 mm
Obelastat varvtal (min ⁻¹)	Hög (2)	0 - 1 400
	Låg (1)	0 - 400
Längd	Nord-/Sydamerika	198 mm
	Övriga länder	228 mm
Vikt	1,4 kg	1,7 kg
Märkspänning	14,4 V likström	18 V likström

- På grund av vårt pågående program för forskning och utveckling kan dessa specifikationer ändras utan föregående meddelande.
- Specifikationer och batterikassett kan variera från land till land.
- Vikt med batterikassett i enlighet med EPTA-procedur 01/2003

Användningsområde

Maskinen är avsedd för borrar och skruvdragning i trä, metall och plast.

Buller

Typiska A-vägda bullernivån är mätt enligt EN60745:

Ljudtrycksnivå (L_{pA}): 70 dB (A) eller lägre
Mättolerans (K): 3 dB(A)

Bullernivån under drift kan överstiga 80 dB(A)

Använd hörselskydd

Vibration

Vibrationens totalvärde (tre-axlars vektorsumma) mätt enligt EN60745:

Arbetsläge: borrar i metall
Vibrationsemission ($a_{h,D}$): 2,5 m/s² eller mindre
Mättolerans (K): 1,5 m/s²

- Det deklarerade vibrationsemissionsvärdet har uppmätts i enlighet med standardtestmetoden och kan användas för jämförandet av en maskin med en annan.
- Det deklarerade vibrationsemissionsvärdet kan också användas i preliminär bedömning av exponering för vibration.

⚠ VARNING!

- Vibrationsemissionen under faktisk användning av maskinen kan skilja sig från det deklarerade emissionsvärdet, beroende på hur maskinen används.
- Se till att hitta säkerhetsåtgärder som kan skydda användaren och som grundar sig på en uppskattning av exponering i verkligheten (ta med i beräkningen alla delar av användandet såsom antal gånger maskinen är avstängd och när den körs på tomgång samt då startomkopplaren används).

Gäller endast Europa

EU-konformitetsdeklaration

Vi Makita Corporation som ansvariga tillverkare deklarerar att följande Makita-maskin(er):

Maskinbeteckning:

Sladdlös bormaskin

Modellnr./ Typ: DF347D, DF457D

är för serieproduktion och

Följer följande EU-direktiv:

2006/42/EC

Och är tillverkade enligt följande standarder eller standardiseringsdokument:

EN60745

Den tekniska dokumentationen förs av vår auktoriserade representant i Europa som är:

Makita International Europe Ltd.
Michigan Drive, Tongwell,
Milton Keynes, Bucks MK15 8JD, England

23.8.2010



000230

Tomoyasu Kato
Direktör
Makita Corporation
3-11-8, Sumiyoshi-cho,
Anjo, Aichi, 446-8502, JAPAN

GEA010-1

Allmänna säkerhetsvarningar för maskin

⚠ VARNING Läs igenom alla säkerhetsvarningar och instruktioner. Underlåtenhet att följa varningar och instruktioner kan leda till elektrisk stöt, brand och/eller allvarliga personskador.

Spara alla varningar och instruktioner för framtida referens.

GEB051-2

SÄKERHETSVARNINGAR FÖR BATTERIDRIVEN BORRMASKIN

1. Använd extrahandtag, om det levereras med maskinen. Att tappa kontrollen över maskinen kan leda till personskador.
2. Håll maskinen i de isolerade handtagen om det finns risk för att skärverktyget kan komma i kontakt med en dold elkabel. Om skärverktyget kommer i kontakt med en strömförande ledning blir maskinens metalldelar strömförande och kan ge operatören en elektrisk stöt.
3. Se till att du hela tiden har ett säkert fotfäste. Se till att ingen står under dig när maskinen används på hög höjd.
4. Håll maskinen stadigt.
5. Håll händerna på avstånd från roterande delar.
6. Lämna inte maskinen igång. Använd endast maskinen när du håller den i händerna.
7. Rör inte vid borr eller arbetsstycke omedelbart efter användning eftersom de kan vara extremt varma och orsaka brännskador.
8. Vissa material kan innehålla giftiga kemikalier. Se till att du inte andas in damm eller får det på huden. Följ anvisningarna i leverantörens materialsäkerhetsblad.

SPARA DESSA ANVISNINGAR.

⚠ VARNING!

GLÖM INTE att noggrant följa säkerhetsanvisningarna för maskinen även efter det att du har blivit van att använda den. **OVARSAM** hantering eller underlåtenhet att följa säkerhetsanvisningarna i denna bruksanvisning kan leda till allvarliga personskador.

ENC009-1

VIKTIGA SÄKERHETSANVISNINGAR FÖR BATTERIKASSETT

1. Innan batterikassetten används ska alla instruktioner och varningsmärken på (1) batteriladdaren, (2) batteriet och (3) produkten läsas.
2. Montera inte isär batterikassetten.
3. Om driftstiden blivit avsevärt kortare ska användningen avbrytas omedelbart. Det kan uppstå överhettning, brännskador och t o m en explosion.
4. Om du får elektrolyt i ögonen ska de sköljas med rent vatten och läkare uppsökas omedelbart. Det finns risk för att synen förloras.
5. Kortslut inte batterikassetten.
 - (1) Rör inte vid polerna med något strömförande material.
 - (2) Undvik att förvara batterikassetten tillsammans med andra metallobjekt som t ex spikar, mynt etc.
 - (3) Skydda batteriet mot vatten och regn. Ett kortslutet batteri kan orsaka ett stort strömflöde, överhettning, risk för brännskador och maskinen kan till och med gå sönder.
6. Förvara inte maskinen och batterikassetten på platser där temperaturen kan nå eller överstiga 50 ° C (122 ° F).
7. Bränn inte upp batterikassetten även om den är svårt skadad eller helt utsliten. Batterikassetten kan explodera i öppen eld.
8. Var försiktig så att du inte råkar tappa batteriet och utsätt det inte för stötar.
9. Använd inte ett skadat batteri.

SPARA DESSA ANVISNINGAR.

Tips för att uppnå batteriets maximala livslängd

1. Ladda batterikassetten innan den är helt urladdad. Sluta att använda maskinen och ladda batterikassetten när du märker att kraften avtar.
2. Ladda aldrig en fulladdad batterikassett. Överladdning förkortar batteriets livslängd.
3. Ladda batterikassetten vid rumstemperaturer mellan 10 ° C och 40 ° C (50 ° F - 104 ° F). Låt en varm batterikassett svalna innan den laddas.

FUNKTIONSBESKRIVNING

FÖRSIKTIGT!

- Se alltid till att maskinen är avstängd och batterikassetten borttagen innan du justerar eller kontrollerar maskinens funktioner.

Montera eller demontera batterikassetten

Fig.1

- Stäng alltid av maskinen innan du monterar eller tar bort batterikassetten.
- Ta bort batterikassetten genom att skjuta ner knappen på kassetten framsida samtidigt som du drar ut batterikassetten.
- Montera batterikassetten genom att rikta in tungan på batterikassetten mot spåret i höljet och skjut den på plats. För alltid in batterikassetten hela vägen tills den låser fast med ett klick. Om du kan se den röda indikatorn på knappens ovansida är batterikassetten inte låst ordentligt. Skjut in den helt tills den röda indikatorn inte syns längre. I annat fall kan den oväntat fall ur maskinen och skada dig eller någon annan.
- Ta inte i för hårt när du monterar batterikassetten. Om kassetten inte lätt glider på plats är den felinsatt.

Skyddssystem för batteri

Batterikassetten är utrustad med ett skyddssystem, vilket automatiskt bryter den utgående strömmen för att förlänga batteriets livslängd.

Maskinen stoppar under användningen när maskinen och/eller batteriet hamnar i följande situation. Detta orsakas av att skyddssystemet aktiveras och betyder inte att det är problem med maskinen.

- När maskinen är överbelastad:
Släpp då avtryckaren, ta bort batterikassetten och åtgärda orsaken till överbelastningen, och tryck sedan in avtryckaren igen för att starta om.
- När battericeller blir varma:
Kommer motorn fortfarande inte att starta även om avtryckaren aktiveras. Sluta då att använda maskinen och kyl batterikassetten.
- När den kvarvarande batterikapaciteten blir låg:
Går motorn igen om du trycker in avtryckaren men stannar snart. I detta fall ska du ta bort batterikassetten från maskinen och ladda det för att förebygga överurladdning.

Avtryckarens funktion

Fig.2

FÖRSIKTIGT!

- Innan du sätter i batterikassetten i maskinen ska du kontrollera att avtryckaren fungerar och återgår till läget "OFF" när du släpper den.

Tryck in avtryckaren för att starta maskinen. Hastigheten ökas genom att trycka hårdare på avtryckaren. Släpp

avtryckaren för att stoppa den.

Reverseringsknappens funktion

Fig.3

Denna maskin har en reverseringsknapp för att byta rotationsriktning. Tryck in reverseringsknappen från sidan A för medurs rotation och från sidan B för moturs rotation.

När reverseringsknappen är i neutralt läge fungerar inte avtryckaren.

FÖRSIKTIGT!

- Kontrollera alltid rotationsriktningen före användning.
- Använd endast reverseringsknappen när maskinen stannat helt. Maskinen kan skadas om du byter rotationsriktning medan den fortfarande roterar.
- Placera alltid reverseringsknappen i neutralt läge när du inte använder maskinen.

Hastighetsändring

Fig.4


För att byta hastighet stänger du först av maskinen. Skjut sedan hastighetsknappen till "2" för hög hastighet eller till "1" för låg hastighet. Kontrollera att hastighetsknappen står i rätt läge innan du börjar arbeta. Använd rätt hastighet för jobbet.


FÖRSIKTIGT!

- Var noga när du ändrar läge på hastighetsknappen. Om du använder maskinen och hastighetsknappen står halvvägs mellan sida "1" och sida "2" kan maskinen skadas.
- Ändra inte hastighetsknappen medan maskinen roterar. Maskinen kan skadas.

Ställa in åtdragningsmomentet

Fig.5

Åtdragningsmomentet kan justeras i 17 steg genom att vrida justeringsringen så att dess gradering är i linje med pilen på maskinhuset. Åtdragningsmomentet är lägst när siffran 1 är riktad mot pilen och högst när  -markeringen är riktad mot pilen.

Kopplingen slirar vid olika moment när den ställs in på siffran 1 till 16. Kopplingen slirar inte alls vid  -markeringen.

Innan du börjar arbeta är det lämpligt att provskruva i samma material som arbetsstycket så att du vet vilket moment som passar bäst.

MONTERING

FÖRSIKTIGT!

- Se alltid till att maskinen är avstängd och batterikassetten borttagen innan du underhåller maskinen.

Sätta i och ta ur skruvbits eller borr

Fig.6

Vrid hylsan moturs för att öppna chucken. Skjut in bitset i chucken så långt det går. Vrid hylsan medurs för att dra åt chucken.

Vrid hylsan moturs för att ta bort bitset.

ANVÄNDNING

⚠FÖRSIKTIGT!

- Skjut alltid in batterikassetten ordentligt tills den låser på plats. Om du kan se den röda indikatorn på knappens ovansida är batterikassetten inte låst ordentligt. Skjut in den helt tills den röda indikatorn inte syns längre. I annat fall kan batterikassetten oväntat fall ur maskinen och skada dig eller någon annan.

Skruvdragning

Fig.7

⚠FÖRSIKTIGT!

- Anpassa inställningsringen så att du får rätt åtdragningsmoment för ditt arbete.

Placera spetsen på skruvbitset i skruvskallen och tryck med maskinen. Starta maskinen sakta och öka sedan hastigheten gradvis. Släpp avtryckaren så fort kopplingen slirar.

⚠FÖRSIKTIGT!

- Se till att skruvbitset placeras rakt i skruvskallen annars kan skruven och/eller bitset skadas.


OBS!

- Vid skruvning i trä är det lämpligt att borra små styrhål. Skruvdragningen blir enklare och träet spricker inte så lätt. Se tabellen.

Nominell diameter på träskruven (mm)	Rekommenderad storlek på styrhållet (mm)
3,1	2,0 - 2,2
3,5	2,2 - 2,5
3,8	2,5 - 2,8
4,5	2,9 - 3,2
4,8	3,1 - 3,4
5,1	3,3 - 3,6
5,5	3,7 - 3,9
5,8	4,0 - 4,2
6,1	4,2 - 4,4

006421

Borring

Vrid först inställningsringen så att pilen pekar på  -markeringen. Försätt sedan enligt följande:

Borra i trä

Vid borring i trä uppnår du bäst resultat om du använder ett träborr med styrskruv. Styrskruven gör det enklare att borra genom att den drar in borret i arbetsstycket.

Borra i metall

För att borret inte ska halka när du börjar borra kan du göra ett märke med syl och hammare i punkten där hålet

ska borras. Placera borrets spets i sylhålet och börja borra.

Använd ett smörjmedel vid borring i metall. Undantagen är järn och mässing som ska borras torrt.

⚠FÖRSIKTIGT!

- Borringen går inte fortare för att du trycker hårdare på maskinen. Detta extra tryck skadar bara toppen på ditt borr, sänker maskinens prestanda och förkortar maskinens livslängd.
- Det utvecklas en enorm kraft på maskinen/borret vid hålgenomslaget. Håll ett stadigt tag i maskinen och var försiktig när borret börjar tränga igenom arbetsstycket.
- Ett borr som fastnat kan enkelt backas ur genom att reversera borringens rotationsriktning. Maskinen kan dock backa för häftigt om du inte håller ordentligt i den.
- Fäst alltid små arbetsstycken i ett städ eller liknande infästningsenhet.
- Om maskinen används löpande tills batteriet är tomt bör maskinen vila 15 minuter innan arbetet fortsätter med ett laddat batteri.

UNDERHÅLL

⚠FÖRSIKTIGT!

- Se alltid till att maskinen är avstängd och batterikassetten borttagen innan inspektion eller underhåll utförs.
 - Använd inte bensin, thinner, alkohol eller liknande. Missfärgning, deformation eller sprickor kan uppstå
- För att upprätthålla produktens SÄKERHET och TILLFÖRLITLIGHET bör allt underhålls- och justeringsarbete utföras av ett auktoriserat Makita servicecenter och med reservdelar från Makita.

VALFRIA TILLBEHÖR

⚠FÖRSIKTIGT!

- Dessa tillbehör och tillsatser rekommenderas för användning tillsammans med den Makita-maskin som denna bruksanvisning avser. Om andra tillbehör eller tillsatser används kan det uppstå risk för personskador. Använd endast tillbehören eller tillsatserna för de syften de är avsedda för.

Kontakta ditt lokala Makita servicecenter om du behöver ytterligare information om dessa tillbehör.

- Borrbits
- Skruvbits
- Olika typer av originalbatterier och -laddare från Makita
- Förvaringsväska av plast

OBS!

Några av tillbehören i listan kan vara inkluderade i maskinpaketet som standardtillbehör. De kan variera mellan olika länder.

Oversiktsforklaring

1-1. Rød indikator	3-1. Revershendel	5-3. Pil
1-2. Knapp	4-1. Turtallsvelger	6-1. Mansjett
1-3. Batteri	5-1. Justeringsring	
2-1. Startbryter	5-2. Delestreker	

TEKNISKE DATA

Modell		DF347D	DF457D
Kapasitet	Stål	10 mm	13 mm
	Tre	25 mm	36 mm
	Treskrue	5,1 x 63 mm	6 mm x 75 mm
	Maskinskrue	6 mm	
Ubelastet turtall (min ⁻¹)	Høy (2)	0 - 1 400	
	Lav (1)	0 - 400	
Total lengde	Nord-/Sør-Amerika	198 mm	228 mm
	Andre land		221 mm
Nettovekt		1,4 kg	1,7 kg
Merkespenning		DC 14,4 V	DC 18 V

- Som følge av vårt kontinuerlige forsknings- og utviklingsprogram kan de tekniske dataene endres uten ytterligere forvarsel.
- Tekniske data og batteri kan variere fra land til land.
- Vekt, med batteri, i henhold til EPTA-prosedyre 01/2003

Riktig bruk

ENE034-1

Maskinen er beregnet til boring og skruing i tre, metall og plast.

Støy

ENG905-1

Typisk A-vektet lydtryknivå er bestemt i henhold til EN60745:

Lydtrykksnivå (L_{pA}) : 70 dB(A) eller mindre
 Usikkerhet (K): 3 dB(A)

Støynivået under arbeid kan overskride 80 dB(A)

Bruk hørselvern

Vibrasjon

ENG900-1

Den totale vibrasjonsverdien (triaksial vektorsum) bestemt i henhold til EN60745:

Arbeidsmåte: boring i metall
 Genererte vibrasjoner (a_{h,D}): 2,5 m/s² eller mindre
 Usikkerhet (K): 1,5 m/s²

ENG901-1

- Den angitte verdien for de genererte vibrasjonene er blitt målt i samsvar med standardtestmetoden og kan brukes til å sammenlikne et verktøy med et annet.
- Den angitte verdien for de genererte vibrasjonene kan også brukes til en foreløpig vurdering av eksponeringen.

⚠ ADVARSEL:

- De genererte vibrasjonene ved faktisk bruk av elektroverktøyet kan avvike fra den oppgitte vibrasjonsverdien, avhengig av hvordan verktøyet brukes.
- Vær påpasselig med å finne sikkerhetstiltak som beskytter operatøren, basert på en oppfatning av risiko under faktiske bruksforhold (på bakgrunn av alle sider ved brukssyklusen, som når verktøyet slås av og når det går på tomgang, i tillegg til oppstarten).

ENH101-15

Gjelder bare land i Europa

EF-samsvarserklæring

Som ansvarlig produsent erklærer Makita Corporation at følgende Makita-maskin(er):

Maskinbetegnelse:

Batteridrevet boreskrutrekker
 Modellnr./type: DF347D,DF457D
 er serieprodusert og

samsvarer med følgende europeiske direktiver:
 2006/42/EC

og er produsert i samsvar med følgende standarder eller standardiserte dokumenter:

EN60745

Den tekniske dokumentasjonen oppbevares hos vår autoriserte representant i Europa, som er:

Makita International Europe Ltd.
 Michigan Drive, Tongwell,
 Milton Keynes, Bucks MK15 8JD, England

23.8.2010



000230

Tomoyasu Kato
Direktør
Makita Corporation
3-11-8, Sumiyoshi-cho,
Anjo, Aichi, 446-8502, JAPAN

GEA010-1

Generelle advarsler angående sikkerhet for elektroverktøy

⚠ ADVARSEL Les alle sikkerhetsadvarslene og alle instruksjonene. Hvis du ikke følger alle advarslene og instruksjonene som er oppført nedenfor, kan det føre til elektriske støt, brann og/eller alvorlige helseskader.

Oppbevar alle advarsler og instruksjoner for senere bruk.

GEB051-2

SIKKERHETSANVISNINGER FOR BATTERIDREVT BOREMASKIN

1. **Bruk hjelpehåndtak, hvis det (de) følger med maskinen.** Hvis maskinen kommer ut av kontroll, kan det resultere i helseskader.
2. **Hold maskinen i det isolerte håndtaket når skjæreverktøyet kan komme i kontakt med skjulte ledninger under arbeidet.** Hvis skjæreverktøyet får kontakt med strømførende ledninger, kan uisolerte metalldele av maskinen bli strømførende og gi brukeren elektrisk støt.
3. **Forviss deg alltid om at du har godt fofeste. Forviss deg om at ingen står under deg når du jobber høyt over bakken.**
4. **Hold maskinen godt fast.**
5. **Hold hendene unna roterende deler.**
6. **Ikke gå fra verktøyet mens det er i gang. Verktøyet må bare brukes mens operatøren holder det i hendene.**
7. **Ikke berør bor eller arbeidsstykke umiddelbart etter bruk. Disse vil da være ekstremt varme, og du kan få brannså.**
8. **Enkelte materialer inneholder kjemikalier som kan være giftige. Treff tiltak for å hindre hudkontakt og innånding av støv. Følg leverandørens sikkerhetsanvisninger.**

TA VARE PÅ DISSE INSTRUKSENE.

⚠ ADVARSEL:

Selv om du har brukt produktet mye og føler deg fortrolig med det, er det likevel svært viktig at du følger nøye de retningslinjene for sikkerhet som er utarbeidet for dette produktet. **MISBRUK** av verktøyet eller mislighold av sikkerhetsreglene i denne brukerhåndboken kan resultere i alvorlige helseskader.

ENC009-1

VIKTIGE SIKKERHETSINSTRUKSJONER FOR BATTERIET

1. **Før du begynner å bruke batteriet, må du lese alle anvisninger og forsiktighetsregler på (1) batteriladeren, (2) batteriet og (3) det produktet batteriet skal brukes i.**
2. **Ikke ta fra hverandre batteriet.**
3. **Hvis driftstiden er blitt vesentlig kortere, må du omgående slutte å bruke maskinen. Hvis ikke kan resultatet bli overoppheting, mulige forbrenninger eller til og med en eksplosjon.**
4. **Hvis du får elektrolytt i øynene, må du skylle dem med store mengder rennende vann og oppsøke lege med én gang. Denne typen uhell kan føre til varig blindhet.**
5. **Ikke kortslutt batteriet.**
 - (1) **Ikke berør batteripolene med ledende materialer.**
 - (2) **Ikke lagre batteriet i samme beholder som andre metallgjenstander, som for eksempel spiker, mynter osv.**
 - (3) **Ikke la batteriet komme i kontakt med vann eller regn.**

En kortslutning av batteriet kan føre til et kraftig strømstøt, overoppheting, mulige forbrenninger og til og med til at batteriet går i stykker.
6. **Ikke lagre maskinen og batteriet på steder hvor temperaturen kan komme opp i eller overskride 50 ° C (122 ° F).**
7. **Ikke sett fyr på batteriet, ikke engang om det er sterkt skadet eller helt utslitt. Batteriet kan eksplodere hvis det begynner å brenne.**
8. **Vær forsiktig så du ikke mister batteriet eller utsetter det for slag.**
9. **Ikke bruk batterier som er skadet.**

TA VARE PÅ DISSE INSTRUKSENE.

Tips for å opprettholde maksimal batterilevetid

1. **Lad batteriet igjen før det er fullstendig utladet. Hold alltid opp å bruke maskinen når du merker at det er lite strøm på batteriet. Sett**

- batteriet til lading.
- Et helt oppladet batteri må aldri settes til ny lading.
Overopplading forkorter batteriets levetid.
 - Lad batteriet ved romtemperatur ved 10 ° C - 40 ° C (50 ° F - 104 ° F). Hvis batteriet er varmt, må det få avkjøle seg før lading.

FUNKSJONSBEKRIVELSE

⚠FORSIKTIG:

- Forviss deg alltid om at maskinen er slått av og batteriet tatt ut før du justerer maskinen eller kontrollerer dens mekaniske funksjoner.

Sette inn eller ta ut batteri

Fig.1

- Slå alltid av verktøyet før du setter inn eller fjerner batteriet.
- For å ta ut batteriet må du skyve på knappen foran på batteriet og trekke det ut.
- Når du skal sette inn batteriet, må du plassere tungen på batteriet på linje med sporet i huset og skyve batteriet på plass. Batteriet må alltid skyves helt inn til det går i inngrep med et lite klikk. Hvis du kan se den røde anviseren på oversiden av knappen, er det ikke gått skikkelig i lås. Sett batteriet helt inn, så langt at den røde anviseren ikke lenger er synlig. Hvis dette ikke gjøres, kan batteriet falle ut av maskinen og skade deg eller andre som oppholder seg i nærheten.
- Ikke bruk makt når du setter inn batteriet. Hvis batteriet ikke blir lett inn, er det fordi det ikke settes inn på riktig måte.

Batteribeskyttelsessystem

Batteriet er utstyrt med et beskyttelsessystem som automatisk bryter utgangsstrømmen for at batteriet skal vare lenge.

Maskinen kan stoppe under bruk når maskinen og/eller batteriet er i følgende situasjon. Dette skyldes fordi beskyttelsessystemet er aktivert og betyr ikke at det er noe feil med maskinen.

- Når maskinen er overbelastet:
Slipp startbryteren og fjern årsaken til overbelastningen, og trykk så på startbryteren igjen for å starte maskinen på nytt.
- Når batteriet blir varmt:
Når du trykker på startbryteren, starter ikke motoren. Stopp bruken av verktøyet og la batteriet avkjøles.
- Når det er lite strøm igjen på batteriet:
Når du trykker på startbryteren, starter motoren, men stopper like etter. Fjern batteriet fra verktøyet og sett til oppladning for å unngå utladning.

Bryterfunksjon

Fig.2

⚠FORSIKTIG:

- Før du setter batteriet inn i maskinen, må du alltid kontrollere at startbryteren aktiverer maskinen på riktig måte og går tilbake til "AV"-stilling når den slippes.

For å starte maskinen må du ganske enkelt trykke på startbryteren. Hvis du trykker hardere på startbryteren, økes turtallet på maskinen. Slipp startbryteren for å stoppe maskinen.

Reverseringsfunksjon

Fig.3

Dette verktøyet har en reversbryter som kan brukes til å endre rotasjonsretningen. Trykk inn reversbryteren fra "A"-siden for å velge rotasjon med klokken, eller fra "B"-siden for å velge rotasjon mot klokken.

Når reversbryteren er i nøytral stilling, kan ikke startbryteren trykkes inn.

⚠FORSIKTIG:

- Før arbeidet begynner, må du alltid kontrollere rotasjonsretningen.
- Bruk reversbryteren bare etter at verktøyet har stoppet helt. Hvis du endrer rotasjonsretningen før verktøyet har stoppet, kan det bli ødelagt.
- Når du ikke skal bruke maskinen lenger, må du alltid sette reversbryteren i nøytral stilling.

Turtallsendring

Fig.4


For å endre hastigheten må du først slå av maskinen og så skyve hastighetsvelgeren til posisjon "2" for høy hastighet eller posisjon "1" for lav hastighet. Forviss deg om at hastighetsvelgeren er stilt inn på riktig posisjon for du begynner å bruke maskinen. Bruk riktig hastighet for den aktuelle jobben.


⚠FORSIKTIG:

- Hastighetsvelgeren må alltid settes i helt riktig stilling. Hvis du bruker maskinen med hastighetsvelgeren innstilt på et punkt midt mellom posisjon "1" og "2", kan maskinen bli ødelagt.
- Ikke bruk hastighetsvelgeren mens verktøyet er i bruk. Maskinen kan bli ødelagt.

Justere tiltrekkingsmomentet

Fig.5

Tiltrekkingsmomentet kan justeres i 17 trinn ved at justeringsringen dreies slik at delestrekene blir liggende på linje med pilen på maskinhuset. Dreiemomentet er minimalt når tallet 1 er på linje med pilen, og maksimalt når  -symbolet er på linje med pilen.

Clutchen vil slure på ulike dreiemomentnivåer når den er stilt inn på de ulike tallene fra 1 til 16. Clutchen er konstruert for ikke å slure på  -markeringen.

Før den faktiske arbeidsoperasjonen skal utføres, bør du skru inn en prøveskrue i materialet ditt, eller i et materiale av samme type, for å finne ut hvilket dreiemoment som kreves for en bestemt anvendelse.

MONTERING

⚠️FORSIKTIG:

- Forviss deg alltid om at maskinen er slått av og batteriet tatt ut før du utfører noe arbeid på maskinen.

Installere eller fjerne drillbits eller bor.

Fig.6

Skru mansjetten mot klokken for å åpne kjevene på kjoksen. Sett bitset så langt inn i kjoksen som det vil gå.

Vri mansjetten med klokken for å stramme kjoksen.

For å fjerne bitset må du vri mansjetten mot klokken.

BRUK

⚠️FORSIKTIG:

- Batteriet må alltid settes helt inn til det låses på plass. Hvis du kan se den røde anviseren på oversiden av knappen, er det ikke gått skikkelig i lås. Sett batteriet helt inn, så langt at den røde anviseren ikke lenger er synlig. Hvis du ikke gjør dette, kan batteriet falle ut av maskinen og skade deg eller andre som oppholder seg i nærheten.

Skrutrekkerfunksjon

Fig.7

⚠️FORSIKTIG:

- Bruk justeringsringen til å stille inn korrekt dreiemoment for den jobben du skal gjøre.

Plasser spissen av skrutrekkerbitset i skruehodet og trykk ned på maskinen. Start verktøyet langsomt, og øk hastigheten gradvis. Slipp opp startbryteren når clutchen slår inn.

⚠️FORSIKTIG:

- Pass på at skrutrekkerbitset er satt rett ned i skruehodet, ellers kan skruen og/eller bitset bli skadet.

MERK:

- Når du bruker treskrue, bør du forhåndsbore for å gjøre det enklere å skru, og for å unngå sprekker i arbeidsstykket. Se diagrammet.

Nominell diameter for treskrue (mm)	Anbefalt størrelse på prøvehull (mm)
3,1	2,0 - 2,2
3,5	2,2 - 2,5
3,8	2,5 - 2,8
4,5	2,9 - 3,2
4,8	3,1 - 3,4
5,1	3,3 - 3,6
5,5	3,7 - 3,9
5,8	4,0 - 4,2
6,1	4,2 - 4,4

006421

Borfunksjon

Vri først justeringsringen slik at pilen peker mot ⚙️ -markeringen. Fortsett deretter som følger.

Bore i tre

Når du borer i tre, blir resultatene best med trebor som er utstyrt med en ledeskrue. Ledeskruen forenkler boringen ved at den trekker boret inn i arbeidsstykket.

Bore i metall

For at ikke boret skal gli når du begynner å bore, må du lage en fordypning med en dor og en hammer der hullet skal bores. Sett spissen av boret i fordypningen og begynn å bore.

Bruk en skjærevæske når du borer i metall. Unntakene er jern og messing som skal bores tørt.

⚠️FORSIKTIG:

- Hvis du bruker for mye kraft på verktøyet, vil det ikke øke borehastigheten. Overdreven bruk av kraft vil tvert imot kunne bidra til å ødelegge spissen av boret, redusere verktøyeffekten og forkorte verktøyets levetid.
- I gjennombruddsøyeblikket virker det en enorm kraft på verktøyet/boret. Hold verktøyet i et fast grep, og vær forsiktig når boret begynner å bryte gjennom arbeidsstykket.
- Et bor som sitter fast kan fjernes hvis du setter reversbryteren til motsatt rotasjonsretning, så verktøyet kan bakke ut. Verktøyet kan imidlertid komme brått ut hvis du ikke holder det i et fast grep.
- Små arbeidsstykker må alltid festes med en skrustikke eller en liknende festeanordning.
- Hvis verktøyet brukes kontinuerlig inntil batteriet er utladet, må du la verktøyet hvile i 15 minutter før du fortsetter med et nytt batteri.

VEDLIKEHOLD

⚠️FORSIKTIG:

- Forviss deg alltid om at maskinen er slått av og batteriet tatt ut før du foretar inspeksjon eller vedlikehold.
- Aldri bruk gasolin, bensin, tynner alkohol eller lignende. Det kan føre til misfarging, deformering eller sprekkdannelse.

For å opprettholde produktets SIKKERHET og PÅLITELIGHET, må reparasjoner, vedlikehold og

justeringer utføres av Makitas autoriserte servicesentre, og det må alltid brukes reservedeler fra Makita.

VALGFRITT TILBEHØR

FORSIKTIG:

- Det anbefales at du bruker dette tilbehøret eller verktøyet sammen med den Makita-maskinen som er spesifisert i denne håndboken. Bruk av annet tilbehør eller verktøy kan forårsake helseskader. Tilbehør og verktøy må kun brukes til det formålet det er beregnet på.

Ta kontakt med ditt lokale Makita-servicesenter hvis du trenger mer informasjon om dette tilbehøret.

- Bor
- Skrutrekkerbits
- Ulike typer ekte batterier og ladere fra Makita.
- Verktøykoffert av plast

MERK:

Enkelte elementer i listen kan være inkludert som standardtilbehør i verktøypakken. Elementene kan variere fra land til land.

Yleisselostus

1-1. Punainen ilmaisin	3-1. Pyörimissuunnan vaihtokytkin	5-3. Nuoli
1-2. Painike	4-1. Nopeudenvaihtokytkin	6-1. Holkki
1-3. Akku	5-1. Säättörengas	
2-1. Liipaisinkytkin	5-2. Asteikko	

TEKNISET TIEDOT

Malli		DF347D	DF457D
Teho	Teräs	10 mm	13 mm
	Puu	25 mm	36 mm
	Puuruuvi	5,1 x 63 mm	6 mm x 75 mm
	Koneruuvi	6 mm	
Tyhjäkäyntinopeus (min ⁻¹)	Suuri (2)	0 - 1 400	
	Pieni (1)	0 - 400	
Kokonaispituus	Pohjois- ja Etelä-Amerikka	198 mm	228 mm
	Muut maat		221 mm
Nettopaino		1,4 kg	1,7 kg
Nimellisjännite		DC 14,4 V	DC 18 V

- Jatkuvan tutkimus- ja kehitysohjelman vuoksi pidätämme oikeuden muuttaa tässä mainittuja teknisiä ominaisuuksia ilman ennakoilmoitusta.
- Tekniset ominaisuudet ja akku saattavat vaihdella maakohtaisesti.
- Paino akku mukaan lukien EPTA-Procedure 01/2003 mukaan

Käyttötarkoitus

Työkalu on tarkoitettu puun, metallin ja muovin poraamiseen ja ruuvaamiseen.

Melutaso

Tyypillinen A-painotettu melutaso määräytyy EN60745-standardin mukaan:

Äänipaineen taso (L_{pA}) : 70 dB(A) tai vähemmän
 Epätarkkuus (K): 3 dB (A)

Työskentelyn aikana melutaso voi ylittää 80 dB (A)

Käytä kuulosuojaimia

Tärinä

Värähtelyn kokonaisarvo (kolmiakselivektorin summa) on määriteltä EN60745mukaan:

Työtila: metalliin poraus
 Värähtelyn päästö (a_{n,D}) : 2,5 m/s² tai vähemmän
 Virhemarginaali (K) : 1,5 m/s²

- Ilmoitettu tärinäpäästöarvo on mitattu standarditestausten mukaisesti, ja sen avulla voidaan vertailla työkaluja keskenään.
- Ilmoitettua tärinäpäästöarvoa voidaan käyttää myös altistumisen alustavaan arviointiin.

VAROITUS:

- Työkalun käytön aikana mitattu todellinen tärinäpäästöarvo voi poiketa ilmoitetusta tärinäpäästöarvosta työkalun käyttötavan mukaan.
- Selvitä käyttäjän suojaamiseksi tarvittavat varotoimet todellisissa käyttöolosuhteissa tapahtuvan arvioidun altistumisen mukaisesti (ottaen huomioon käyttöjakso kokonaisuudessaan, myös jaksot, joiden aikana työkalu on sammutettuna tai käy tyhjäkäynnillä).

Koskee vain Euroopan maita

VAKUUTUS EC-VASTAAVUUDESTA

Vastuullinen valmistaja Makita Corporation ilmoittaa vastaavansa siitä, että seuraava(t) Makitan valmistama(t) kone(et):

Koneen tunnistetiedot:
 Akkuporakone
 Mallinro/Tyyppi: DF347D,DF457D
 ovat sarjavalmisteisia ja

täyttävät seuraavien eurooppalaisten direktiivien vaatimukset:

2006/42/EC
 ja että ne on valmistettu seuraavien standardien tai standardoitujen asiakirjojen mukaisesti:
 EN60745

Teknisen dokumentaation ylläpidosta vastaa valtuutettu Euroopan-edustajamme, jonka yhteystiedot ovat:

Makita International Europe Ltd.
Michigan Drive, Tongwell,
Milton Keynes, Bucks MK15 8JD, England

23.8.2010



000230

Tomoyasu Kato
Johtaja
Makita Corporation
3-11-8, Sumiyoshi-cho,
Anjo, Aichi, 446-8502, JAPAN

GEA010-1

Sähkötyökalujen käyttöä koskevat varoitukset

VAROITUS Lue kaikki turvallisuusvaroitukset ja käyttöohjeet. Varoitusten ja ohjeiden noudattamatta jättäminen voi johtaa sähköiskuun, tulipaloon ja/tai vakavaan vammautumiseen.

Säilytä varoitukset ja ohjeet tulevaa käyttöä varten.

GEB051-2

AKKUPORAKONEEN TURVALLISUUSOHJEET

- Käytä työkalun mukana mahdollisesti toimitettua lisäkavaa tai -kahvoja.** Hallinnan menetyks voi aiheuttaa henkilövahinkoja.
- Pidä sähkötyökalua vain sen eristetyistä tartuntapinnoista silloin, kun on mahdollista, että sen terä saattaa osua piilossa oleviin johtoihin.** Jos leikkaustyökalu joutuu kosketukseen jännitteisen johdon kanssa, jännite voi siirtyä työkalun sähköä johtaviin metalliosiin ja aiheuttaa käyttäjälle sähköiskun.
- Varmista aina, että seisot tukevasti.** Jos työskentelet korkealla, varmista, ettei ketään ole alapuolella.
- Pidä työkalua tiukasti.**
- Pidä kädet loitolla pyörivistä osista.**
- Älä jätä konetta käymään itsekseen.** Käytä laitetta vain silloin, kun pidät sitä kädessä.
- Älä kosketa terää tai työkalua välittömästi käytön jälkeen, sillä ne voivat olla erittäin kuumia ja aiheuttaa palovammoja.**
- Jotkin materiaalit sisältävät kemikaaleja, jotka voivat olla myrkyllisiä.** Huolehdi siitä, että pölyn sisäänhengittäminen ja ihokosketus estetään. Noudata materiaalin toimittajan turvaohjeita.

SÄILYTÄ NÄMÄ OHJEET.

VAROITUS:

ÄLÄ anna työkalun helppokäyttöisyyden tai toistuvan käytön tuudittaa sinua väärään turvallisuuden tunteeseen niin, että laiminlyöt työkalun turvaohjeiden noudattamisen. **VÄÄRINKÄYTTÖ** tai tämän käyttöohjeen turvamääräysten laiminlyönti voi johtaa vakaviin henkilövahinkoihin.

ENC009-1

AKKUA KOSKEVIA

TÄRKEITÄ TURVAOHJEITA

- Ennen akun käyttöönottoa tutustu kaikkiin laturissa (1), akussa (2) ja akkukäyttöisessä tuotteessa (3) oleviin varoitusteksteihin.
- Älä pura akkua.
- Jos akun toiminta-aika lyhenee merkittävästi, lopeta akun käyttö. Seurauksena voi olla ylikuumentuminen, palovammoja tai jopa räjähdys.
- Jos akkuneustettä pääsee silmiin, huuhtele puhtaalla vedellä ja hakeudu välittömästi lääkärin hoitoon. Akkuneuste voi aiheuttaa sokeutumisen.
- Älä oikosulje akkua.
 - Älä koske akun napoihin millään sähköä johtavalla materiaalilla.
 - Vältä akun oikosulkemista äläkä säilytä akkua yhdessä muiden metalliesineiden, kuten navojen, kolikoiden ja niin edelleen kanssa.
 - Älä altista akkua vedelle tai sateelle. Akun oikosulku voi aiheuttaa voimakkaan sähkövirran, palovammoja ja jopa laitteen rikkoutumisen.
- Älä säilytä työkalua ja akkua paikassa, jossa lämpötila voi nousta 50 ° C:een tai sitäkin korkeammaksi.
- Älä hävitä akkua polttamalla, vaikka se olisi pahoin vaurioitunut tai täysin loppuun kulunut. Avotuli voi saada akun räjähtämään.
- Varo kolhimasta tai pudottamasta akkua.
- Älä käytä viallista akkua.

SÄILYTÄ NÄMÄ OHJEET.

Vihjeitä akun käyttöiän pidentämiseksi

- Lataa akku ennen kuin se ehtii purkautua kokonaan. Lopeta työkalun käyttö ja lataa akku aina, kun huomaat tehon heikkenevän.
- Älä koskaan lataa täyttä akkua. Ylilataus lyhentää akun käyttöikä.
- Lataa akku huoneenlämmössä 10 ° C-40 ° C. Anna kuuman akun jäähtyä ennen latausta.

TOIMINTOJEN KUVAUS

HUOMIO:

- Varmista aina ennen säätöjä ja tarkastuksia, että työkalu on sammutettu ja akku irrotettu.

Akun asentaminen tai irrottaminen

Kuva1

- Sammuta työkalu aina ennen akun kiinnittämistä tai irrottamista.
- Irrota akku painamalla akun etupuolella olevaa painiketta ja vetämällä akku ulos työkalusta.
- Kiinnitä akku sovittamalla akun kieleke rungton uraan ja työntämällä akku sitten paikoilleen. Työnnä akku pohjaan asti niin, että kuulet sen napsahtavan paikoilleen. Jos painikkeen yläpuolella näkyy punainen ilmaisin, akku ei ole lukkiutunut täysin paikoilleen. Työnnä akku pohjaan asti, niin että ilmaisin ei enää näy. Jos akku ei ole kunnolla paikallaan, se voi pudota työkalusta ja aiheuttaa vammoja joko käyttäjälle tai sivullisille.
- Älä käytä voimaa, kun kiinnität akkua paikalleen. Jos akku ei mene paikalleen helposti, se on väärässä asennossa.

Akun suojausjärjestelmä

Akussa on suojausjärjestelmä, joka pidentää akun käyttöikää katkaisemalla virransyötön automaattisesti.

Työkalu voi pysähtyä kesken käytön seuraavassa kerrotuissa tilanteissa. Pysähtyminen on suojausjärjestelmän aiheuttama, ei merkki työkalussa olevasta viasta.

- Työkalua ylikuormitetaan:
Vapauta liipaisinkytkin, poista ylikuumenemisen syyt ja paina sitten uudelleen liipaisinkytkintä.
- Akun kennot kuumenevat:
Jos liipaisinkytkintä käytetään, moottori ei pyöri. Lopeta työkalun käyttö ja anna akun jäähtyä.
- Akun varaus on vähissä:
Jos painat liipaisinkytkintä, moottori alkaa toimia, mutta pysähtyy pian. Irrota silloin akku työkalusta ja lataa se, jotta se ei tyhjene liikaa.

Kytkimen käyttäminen

Kuva2

HUOMIO:

- Tarkista aina ennen akun kiinnittämistä työkaluun, että liipaisinkytkin kytketty oikein ja palaa OFF-asentoon, kun se vapautetaan.

Käynnistä työkalu painamalla liipaisinkytkintä. Mitä voimakkaammin kytkintä painetaan, sitä nopeammin kone käy. Laite pysäytetään vapauttamalla liipaisinkytkin.

Pyörimissuunnan vaihtokytkimen toiminta

Kuva3

Työkalussa on pyörimissuunnan vaihtokytkin. Jos haluat koneen pyöriä myötäpäivään, paina vaihtokytkintä A-puolelta, ja jos vastapäivään, paina sitä B-puolelta. Jos pyörimissuunnan vaihtokytkin on keskiasennossa, liipaisinkytkin lukittuu.

HUOMIO:

- Tarkista aina pyörimissuunta ennen käyttöä.
- Käytä pyörimissuunnan vaihtokytkintä vasta sen jälkeen, kun kone on lakannut kokonaan pyörimästä. Pyörimissuunnan vaihto koneen vielä pyöriessä voi vahingoittaa sitä.
- Aina kun konetta ei käytetä, käännä pyörimissuunnan vaihtokytkin keskiasentoon.

Nopeuden muuttaminen

Kuva4


Voit säätää työkalun pyörimisnopeutta sammuttamalla koneen ja työntämällä sen jälkeen nopeudenvaihtokytkimen asentoon 2 (nopea) tai 1 (hidas). Varmista ennen käyttöä, että nopeudenvaihtokytkin on halutussa asennossa. Käytä aina työn edellyttämää nopeutta.


HUOMIO:

- Siirrä nopeudenvaihtokytkin aina täysin oikeaan asentoon. Jos käytät työkalua niin, että nopeudenvaihtokytkin on 1- ja 2-asennon puolivälissä, työkalu voi rikkoutua.
- Älä koske nopeudenvaihtokytkimeen, kun työkalu on käynnissä. Kone voi rikkoutua.

Kiinnitysvääntömomentin säätäminen

Kuva5

Kiristysmomentin asetuksia on 17. Momentti valitaan säätörenkaalla niin, että haluttu asteikon arvo näkyy työkalun rungton osoittimen kohdalla. Kiristysmomentti on pienimmillään silloin, kun osoittimen kohdalla on numero 1, ja suurimmillaan silloin, kun merkki on osoittimen -kohdalla.

Kytkin luistaa silloin, kun kiristysmomentiksi on asetettu jokin arvo väliltä 1-16. Kytkin ei luista, jos kiristysmomentiksi valitaan .

Ruuvaa ennen varsinaisen työn suorittamista koeruuvi materiaaliin tai vastaavaan kappaleeseen, jolloin voit tarkistaa sopivan kiristysmomentin.

KOKOONPANO

HUOMIO:

- Varmista aina ennen mitään työkalulle tehtäviä toimenpiteitä, että se on sammutettu ja akku irrotettu.

Ruuvauskärjen tai poranterän asentaminen tai irrottaminen

Kuva6

Avaa istukan leuat kääntämällä holkkia vastapäivään. Työnnä kärki/terä niin syväälle istukkaan kuin se menee. Kiristä istukan leuat kääntämällä holkkia myötäpäivään. Irrota kärki/terä kääntämällä holkkia vastapäivään.

TYÖSKENTELY

⚠️HUOMIO:

- Työnnä akku pohjaan asti, niin että se napsahtaa paikoilleen. Jos painikkeen yläpuolella näkyy punainen ilmaisin, akku ei ole lukkiutunut täysin paikoilleen. Työnnä se pohjaan asti, niin että ilmaisin ei enää näy. Jos akku ei ole kunnolla paikallaan, se voi pudota työkalusta ja aiheuttaa vammoja joko käyttäjälle tai sivullisille.

Ruuvaaminen

Kuva7

⚠️HUOMIO:

- Säädä kiristysmomentti sopivaksi säätörenkaan avulla.

Aseta ruuvauskärjen pää ruuvin kantaan ja paina kärkeä ruuvia vasten. Käynnistä työkalu varovasti ja lisää nopeutta asteittain. Vapauta liipaisinkytkin heti, kun kytkin alkaa luistaa.

⚠️HUOMIO:

- Varmista, että ruuvauskärjen pää on suorassa kulmassa ruuvin kantaan nähden, jotta ruuvi ja/tai kärki ei vahingoitu.

HUOMAUTUS:

- Kun kiinnität ruuveja puuhun, tee ensin aloitusreikä, jolloin ruuvaaminen sujuu helpommin eikä puu halkea. Katso taulukkoa.

Puuruuvin nimellishalkaisija (mm)	Aloitusreiän kokosuositus (mm)
3,1	2,0 - 2,2
3,5	2,2 - 2,5
3,8	2,5 - 2,8
4,5	2,9 - 3,2
4,8	3,1 - 3,4
5,1	3,3 - 3,6
5,5	3,7 - 3,9
5,8	4,0 - 4,2
6,1	4,2 - 4,4

006421

Poraaminen

Käännä ensin säätörengasta niin, että osoitin on ⚙️ -merkinnän kohdalla. Tee sitten näin.

Puun poraaminen

Puuta porattaessa paras lopputulos saadaan ohjausruuvilla varustetuilla puuterillä. Ohjausruuvi helpottaa poraamista vetämällä poranterän työkalupaleeseen.

Metallin poraaminen

Jotta poranterä ei pääse luiskahtamaan syrjään porauksen aluksi, tee ensin porauskohtaan pieni kolo punssilla ja vasaralla. Aseta poran kärki koloon ja aloita poraus.

Käytä metallia poratessasi leikkuuöljyä. Poikkeuksena ovat rauta ja messinki, joita porataan kuivana.

⚠️HUOMIO:

- Työkalun painaminen liian voimakkaasti ei nopeuta poraamista. Päinvastoin: liiallinen paine vain tylsyttää poranterää, hidastaa työtä ja lyhentää työkalun käyttöikää.
- Työkaluun/terään kohdistuu valtava voima, kun terä menee läpi. Pidä työkalu tukevassa otteessa ja ole varovainen, kun terä alkaa tulla läpi työkalupaleesta.
- Kiinni juuttunut terä irrotetaan helposti vaihtamalla terän pyörimissuuntaa ja peruuttamalla. Pidä kuitenkin työkalusta lujasti kiinni, sillä se voi tökätä taaksepäin yllättävästi.
- Kiinnitä pienet työkalupaleet aina viilapenkkiin tai vastaavaan pidikkeeseen.
- Jos työkalua käytetään jatkuvasti niin pitkään, että akku tyhjenee, anna työkalun seistä 15 minuuttia ennen kuin jatkat työskentelyä uudella akulla.

KUNNOSSAPITO

⚠️HUOMIO:

- Varmista aina ennen tarkastusta tai huoltoa, että työkalu on sammutettu ja akku irrotettu.
- Älä koskaan käytä bensiiniä, ohentimia, alkoholia tai tms. aineita. Muutoin pinta voi halkeilla tai sen värit ja muoto voivat muuttua.

Koneen TURVALLISUUDEN ja LUOTETTAVUUDEN säilyttämiseksi korjaukset sekä muu huoltotoimet ja säädöt on jätettävä Makitan valtuuttaman huollon tehtäväksi käyttäen aina Makitan alkuperäisiä varaosia.

LISÄVARUSTEET

HUOMIO:

- Näitä lisävarusteita ja -laitteita suositellaan käytettäväksi tässä ohjekirjassa mainitun Makitan koneen kanssa. Minkä tahansa muun lisävarusteen tai -laitteen käyttäminen voi aiheuttaa loukkaantumisvaaran. Käytä lisävarusteita ja -laitteita vain niiden käyttötarkoituksen mukaisesti.

Jos tarvitset apua tai yksityiskohtaisempia tietoja seuraavista lisävarusteista, ota yhteys paikalliseen Makitan huoltoon.

- Poranterät
- Ruuvauskärjet
- Erilaisia alkuperäisiä Makita-akkuja ja latureita
- Muovinen kantolaukku

HUOMAUTUS:

Jotkin luettelossa mainitut varusteet voivat sisältyä työkalun toimitukseen vakiovarusteina. Ne voivat vaihdella maittain.

LATVIEŠU (oriģinālās instrukcijas)

Kopskata skaidrojums

1-1. Sarkans indikators
1-2. Poga
1-3. Akumulatora kasetne
2-1. Slēdža mēlīte

3-1. Griešanas virziena pārslēdzēja svira
4-1. Ātruma regulēšanas svira
5-1. Regulēšanas gredzens

5-2. Gradācija
5-3. Bultiņa
6-1. Uzmava

SPECIFIKĀCIJAS

Modelis	DF347D	DF457D
Urbšanas jauda	Tērauds	10 mm
	Koksne	25 mm
	Kokskrūve	5,1 x 63 mm
	Nostiprinātājskrūve	6 mm
Apgriezieni minūtē bez slodzes (min^{-1})	Liels ātrums (2)	0 - 1 400
	Mazs ātrums (1)	0 - 400
Kopējais garums	Ziemeļ-/Dienvidamerika	198 mm
	Citas valstis	228 mm
Neto svars		1,4 kg
Nominālais spriegums		Līdzstrāva 14,4 V
		Līdzstrāva 18 V

- Dēļ mūsu nepārtrauktās pētniecības un izstrādes programmas, šeit dotās specifikācijas var mainīties bez brīdinājuma.
- Specifikācijas un akumulatora kasetne dažādās valstīs var atšķirties.
- Svārs ar akumulatora kasetni atbilstošs EPTA procedūrai 01/2003

Paredzētā lietošana

Šis darbarīks ir paredzēts urbšanai un skrūvju ieskrūvēšanai kokā, metālā un plastmasā.

Troksnis

Tipiskais A-svērtais trokšņa līmenis ir noteikts saskaņā ar EN60745:

Skaņas spiediena līmenis (L_{pA}) : 70 dB(A) vai mazāks

Nenoteiktība (K): 3 dB (A)

Darbības laikā trokšņa līmenis var pārsniegt 80 dB (A)

Lietojiet ausu aizsargus

Vibrācija

Vibrācijas kopējā vērtība (trīs asu vektora summa) noteikta saskaņā ar EN60745:

Darba režīmu: urbšanu metālā

Vibrācijas emisija ($a_{h,D}$) : 2,5 m/s^2 vai mazāk

Neskaidrība (K): 1,5 m/s^2

- Paziņotā vibrācijas emisijas vērtība noteikta atbilstoši standarta pārbaudes metodei un to var izmantot, lai salīdzinātu vienu darbarīku ar citu.
- Paziņoto vibrācijas emisijas vērtību arī var izmantot iedarbības sākotnējā novērtējumā.

BRĪDINĀJUMS:

- Reāli lietojot mehanizēto darbarīku, vibrācijas emisija var atšķirties no paziņotās emisijas vērtības atkarībā no darbarīka izmantošanas veida.
- Lai aizsargātu lietotāju, nosakiet drošības pasākumus, kas pamatoti ar iedarbību reālos darba apstākļos (ņemot vērā visus ekspluatācijas cikla posmus, piemēram, laiku, kamēr darbarīks ir izslēgts un kad darbojas tukšgaitā, kā arī palaides laiku).

Tikai Eiropas valstīm

EK Atbilstības deklarācija

Mēs, uzņēmums „Makita Corporation”, kā atbildīgs ražotājs paziņojam, ka sekojošais/-ie „Makita” darbarīks/-i:

Darbarīka nosaukums:

Bezvada skrūvgriezis-urbmašīna

Modeļa nr./ Veids: DF347D,DF457D

ir sērijas ražojums un

atbilst sekojošām Eiropas Direktīvām:

2006/42/EC

Un tas ražots saskaņā ar sekojošiem standartiem vai standartdokumentiem:

EN60745

Tehnisko dokumentāciju uztur mūsu pilnvarots pārstāvis Eiropā -

Makita International Europe Ltd.
Michigan Drive, Tongwell,
Milton Keynes, Bucks MK15 8JD, Anglija

23.8.2010



000230

Tomoyasu Kato
Direktors
Makita Corporation
3-11-8, Sumiyoshi-cho,
Anjo, Aichi, 446-8502, JAPAN

GEA010-1

Vispārējie mehanizēto darbarīku drošības brīdinājumi

⚠ BRĪDINĀJUMS Izlasiet visus drošības brīdinājumus un visus norādījumus. Brīdinājumu un norādījumu neievērošanas gadījumā var rasties elektriskās strāvas trieciens, ugunsgrēks un/vai nopietnas traumas.

Glabājiet visus brīdinājumus un norādījumus, lai varētu tajos ieskatīties turpmāk.

GEB051-2

DROŠĪBAS BRĪDINĀJUMI BEZVADU URBJA LIETOŠANAI

1. Izmantojiet ar darbarīku piegādātos papildu rokturus. Kontroles zaudēšanas gadījumā var gūt ievainojumus.
2. Veicot darbu, turiet mehanizēto darbarīku aiz izolētajām satveršanas virsmām, ja griešanas darbarīks varētu saskarties ar apslēptu elektroinstalāciju vai ar savu vadu. Ja griešanas instruments saskarsies ar vadu, kurā ir strāva, visas mehanizētā darbarīka ārējās metāla virsmas vadīs strāvu un radīs elektriskās strāvas triecienu lietotājam.
3. Nodrošiniet, lai jums vienmēr būtu labs atbalsts kājām.
Ja lietojat darbarīku augstumā, pārliecinieties, ka apakšā neviena nav.
4. Turiet darbarīku stingri.
5. Turiet rokas tālu no rotējošām daļām.
6. Neatstājiet ieslēgtu darbarīku. Darbiniet darbarīku vienīgi tad, ja turat to rokās.
7. Neskariet urbja uzgali vai apstrādāto detaļu tūlīt pēc darba veikšanas; tie var būt ļoti karsti un var apdedzināt ādu.
8. Daži materiāli satur ķīmiskas vielas, kuras var būt toksiskas. Izvairieties no putekļu

ieelpošanas un to nokļūšanas uz ādas. Ievērojiet materiāla piegādātāja drošības datus.

SAGLABĀJIET ŠOS NORĀDĪJUMUS.

⚠ BRĪDINĀJUMS:

NEZAUDĒJIET modrību darbarīka lietošanas laikā (tas var gadīties pēc darbarīka daudzkārtējas izmantošanas), rūpīgi ievērojiet urbšanas drošības noteikumus šim izstrādājumam. NEPAREIZAS LIETOŠANAS vai šīs rokasgrāmatas drošības noteikumu neievērošanas gadījumā var gūt smagas traumas.

ENC009-1

SVARĪGI DROŠĪBAS NOTEIKUMI AKUMULATORA LIETOŠANAI

1. Pirms akumulatora lietošanas izlasiet visus norādījumus un brīdinājumus, kuri attiecas uz (1) akumulatora lādētāju, (2) akumulatoru un (3) ierīci, kurā tiek izmantots akumulators.
2. Neizjauciet akumulatoru.
3. Ja akumulatora darbības laiks kļuva ievērojami īsāks, nekavējoties pārtrauciet to izmantot. Citādi, tas var izraisīt pārkarsējumu, uzliesmojumu vai pat sprādzienu.
4. Ja elektrolīts nonāk acīs, izskalojiet tās ar tīru ūdens un nekavējoties griezieties pie ārsta. Tas var izraisīt redzes zaudēšanu.
5. Neradiet īssavienojumu akumulatora kasetnē:
 - (1) Neskarieties pie termināliem ar jebkāda veida vadītspējīgiem materiāliem.
 - (2) Neuzglabājiet akumulatoru kasetni kopā ar citiem metāla priekšmetiem, tādiem kā naglas, monētas u.c.
 - (3) Nepakļaujiet akumulatora kasetni ūdens vai lietus iedarbībai.Īssavienojums var radīt lielu strāvas plūsmu, pārkarsānu, var radīt apdegumus vai pat bojājumus.
6. Neuzglabājiet darbarīku un akumulatora kasetni vietās, kur temperatūra var sasniegt vai pārsniegt 50 ° C (122 ° F).
7. Nededziniet akumulatora kasetni, pat ja tā ir stipri bojāta vai pilnībā nolietota. Akumulatora kasetne ugunī var eksplodēt.
8. Uzmanieties, lai neļautu akumulatoram nokrist un nepakļautu to sītienam.
9. Neizmantojiet bojātu akumulatoru.

SAGLABĀJIET ŠOS NORĀDĪJUMUS.

Ieteikumi akumulatora kalpošanas laika pagarināšanai.

1. **Uzlādējiet akumulatora kasetni pirms tā pilnīgi izlādējas.**
Vienmēr, kad ievērojat, ka darbarīka darba jauda zudusi, apturiet darbarīku un uzlādējiet akumulatora kasetni.
2. **Nekad neuzlādējiet pilnībā uzlādētu akumulatora kasetni.**
Pārmērīga uzlāde saīsina akumulatora kalpošanas laiku.
3. **Uzlādējiet akumulatora kasetni istabas temperatūrā 10 ° C - 40 ° C (50 ° F - 104 ° F).**
Karstai akumulatora kasetnei pirms uzlādes ļaujiet atdzist.

FUNKCIJU APRAKSTS

⚠UZMANĪBU:

- Pirms darbarīka regulēšanas vai tā darbības pārbaudes vienmēr pārliecinieties, ka darbarīks ir izslēgts un akumulatora kasetne ir izņemta.

Akumulatora kasetnes uzstādīšana un izņemšana

Att.1

- Vienmēr pirms akumulatora kasetnes uzstādīšanas vai noņemšanas izslēdziet darbarīku.
- Lai izņemtu akumulatora kasetni, izvelciet to no darbarīka, pārbīdot kasetnes priekšpusē esošo pogu.
- Lai uzstādītu akumulatora kasetni, salāgojiet mēlīti uz akumulatora kasetnes ar rievu ietvarā un iebīdīet to vietā. Vienmēr bīdīet to iekšā līdz klikšķim, kas nozīmē, ka tā ir pareizi uzstādīta. Ja pogas augšējā daļā ir redzams sarkans indikators, tas nozīmē, ka tā nav pilnīgi bloķēta. Ievietojiet to tā, lai sarkanais indikators nebūtu redzams. Pretējā gadījumā tā var nejauši izkrist no darbarīka un radīt jums vai apkārtējiem ievainojumu.
- Uzstādot akumulatora kasetni, nespiediet to ar spēku. Ja kasetne neslīd ietvarā viegli, tā nav pareizi ielikta.

Akumulatora aizsardzības sistēma

Akumulatora kasetnei ir aizsardzības sistēma, kas automātiski izslēdz izejas jaudu, lai nodrošinātu ilgu ekspluatācijas laiku.

Darbarīks pārstāj darboties ekspluatācijas laikā, ja darbarīku un/vai akumulatoru pakļauj atsevišķiem apstākļiem. To paredz aizsardzības sistēmas aktivizēšana, un tas neliecina par darbarīka problēmu.

- Ja darbarīks ir pārslogots:
Šādā gadījumā atlaidiet slēdža mēlīti, izņemiet akumulatora kasetni un novērsiet pārslogojuma cēloņus, pēc tam vēlreiz nospiediet mēlīti, lai atsāktu darbu.

- Ja akumulatora elementi sakarst:
Ja nospiedīsiet slēdža mēlīti, motors paliks nekustīgs. Šajā gadījumā pārtrauciet darbarīka izmantošanu un izņemiet akumulatora kasetni.
- Ja akumulatora atlikusi jauda ir zema:
Ja nospiedīsiet slēdža mēlīti, motors vēlreiz sāks darboties, taču drīz apstāsies. Šādā gadījumā, lai nepieļautu pārmērīgu akumulatora izlādēšanos, izņemiet akumulatora kasetni no darbarīka un veiciet tai uzlādi.

Slēdža darbība

Att.2

⚠UZMANĪBU:

- Pirms akumulatora kasetnes uzstādīšanas darbarīkā, vienmēr pārbaudiet, vai slēdža mēlīte darbojas pareizi un pēc atlaišanas atgriežas "OFF" (izslēgts) stāvoklī.

Lai iedarbinātu darbarīku, vienkārši pavelciet slēdža mēlīti. Darbarīka ātrums palielinās palielinoties spiedienam uz slēdža mēlīti. Lai apturētu darbarīku, atlaidiet slēdža mēlīti.

Griešanās virziena pārslēdzēja darbība

Att.3

Šis darbarīks ir aprīkots ar pārslēdzēju, kas ļauj mainīt griešanās virzienu. Nospiediet griešanās virziena pārslēdzēja sviru no "A" puses rotācijai pulksteņrādītāja virzienā vai no "B" puses rotācijai pretēji pulksteņrādītāja virzienam.

Ja griešanās virziena pārslēdzēja svira atrodas neitrālajā stāvoklī, slēdža mēlīti nevar nospiegt.

⚠UZMANĪBU:

- Pirms sākat strādāt vienmēr pārbaudiet griešanās virzienu.
- Izmantojiet griešanās virziena pārslēdzēju tikai pēc darbarīka pilnas apstāšanās. Griešanās virziena maiņa pirms darbarīka pilnas apstāšanās var to sabojāt.
- Kamēr darbarīks netiek izmantots, vienmēr uzstādiet griešanās virziena pārslēdzēja sviru neitrālajā stāvoklī.

Ātruma regulēšana

Att.4

Lai izmainītu ātrumu, vispirms izslēdziet darbarīku un tad pārbīdīet ātruma regulēšanas sviru "2" virzienā lielam ātrumam vai "1" virzienā mazam ātrumam. Pirms darba uzsākšanas pārliecinieties, vai ātruma regulēšanas svira ir uzstādīta pareizā stāvoklī. Strādājiet ar veicamajam darbam piemēroto ātrumu.

⚠UZMANĪBU:


- Ātruma regulēšanas sviru vienmēr uzstādiet pareizajā stāvoklī pilnībā. Ja jūs darbiniet


darbarīku ar ātruma regulēšanas sviru izvietotu starp "1" un "2" stāvokļiem, tas var sabojāt darbarīku.

- Nelietojiet ātruma regulēšanas sviru, kamēr darbarīks darbojas. Tas var sabojāt darbarīku.

Stiprinājuma griezes momenta regulēšana

Att.5

Stiprinājuma griezes momentu var regulēt 17 līmeņos, pagriežot regulēšanas gredzenu tā, lai rādītājs uz ierīces korpusa sakristu ar atbilstošu iedaļu. Minimālais stiprinājuma griezes moments tiek sasniegts, kad rādītājs rāda uz skaitli "1" un maksimālais griezes moments ir sasniegts, kad rādītājs rāda uz  zīmi.

Iestādot ietveri stāvoklī no 1 līdz 16, tā ieslīdēs dažādos griezes momenta līmeņos. Savukārt, uzstādot to ar  simbolu apzīmētajā stāvoklī tā neieslīdēs.

Pirms darba uzsākšanas ieskrūvējiet apstrādājamajā detaļā vai identiskajā materiālā pārbaudes skrūvi, lai noteiktu kāds griezes momenta līmenis ir piemērots dotajam gadījumam.

MONTĀŽA

⚠UZMANĪBU:

- Pirms darbarīka regulēšanas vai apkopes vienmēr pārlicinieties, ka darbarīks ir izslēgts un akumulatora kasetne ir izņemta.

Skrūvgrieža uzgaļa vai urbja uzgaļa uzstādīšana un noņemšana

Att.6

Pagrieziet uznavu pretēji pulksteņrādītāja virzienam, lai atvērtu spīļpatronas spīles. Ievietojiet uzgali spīļpatronā, cik vien tālu tas ieiet. Pagrieziet uznavu pulksteņrādītāja virzienā, lai pievilktu spīļpatronu.

Lai izņemtu uzgali, grieziet uznavu pretēji pulksteņrādītāja virzienam.

EKSPLUATĀCIJA

⚠UZMANĪBU:

- Vienmēr bīdīet akumulatora kasetni iekšā, līdz tā nobloķējas savā vietā. Ja pogas augšējā daļā ir redzams sarkans indikators, tas nozīmē, ka tā nav pilnīgi bloķēta. Iebīdīet to tā, lai sarkanais indikators nebūtu redzams. Pretējā gadījumā tā var nejauši izkrist no darbarīka un radīt jums vai apkārtējiem ievainojumus.

Skrūvgrieža darba režīms

Att.7

⚠UZMANĪBU:

- Ar regulēšanas gredzena palīdzību uzstādiat veicamam darbam atbilstošu griezes momenta līmeni.

Ievietojiet skrūvgrieža uzgali skrūves galviņā un piespiediet instrumentu. Iedarbiniet darbarīku lēnām un

tad pakāpeniski ātrumu palieliniet. Atlaidiet slēdža mēlīti tikko ietvere iegriežas iekšā.

⚠UZMANĪBU:

- Pārlicinieties, ka skrūvgrieža uzgali ir taisni ievietots skrūves galviņā, pretējā gadījumā skrūve un/vai uzgali var tikt bojāti.

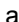
PIEZĪME:

- Skrūvējot kokskrūves, izurbiet priekšcaurumus, lai skrūvēšana būtu vieglāka un lai novērstu darba virsmas šķelšanos. Skatiet tabulu.

Kokskrūves nominālais diametrs (mm)	Priekšcauruma rekomendējams izmērs (mm)
3,1	2,0 - 2,2
3,5	2,2 - 2,5
3,8	2,5 - 2,8
4,5	2,9 - 3,2
4,8	3,1 - 3,4
5,1	3,3 - 3,6
5,5	3,7 - 3,9
5,8	4,0 - 4,2
6,1	4,2 - 4,4

006421

Urbšana

Vispirms pagrieziet regulēšanas gredzenu tā, lai rādītājs rādītu uz  zīmi. Tad veiciet sekojošas darbības.

Urbšana kokā

Urbjot kokā, vislabākie rezultāti iegūstami ar kokurbja uzgaļiem, kuri aprīkoti ar vadskrūvi. Vadskrūve atvieglo urbšanu, virzot urbja uzgali apstrādes detaļā.

Urbšana metālā

Lai novērstu urbja gala slīdēšanu, urbšanu uzsākot, vispirms ar punktsiša un āmura palīdzību veiciet ierobījumu vietā, kur jāveic urbums. Novietojiet urbja uzgali ierobījumā un sāciet urbt.

Urbjot metālā, izmantojiet griešanas smērvielas. Izņēmums ir dzelzs un misiņš, kuri jāurbj bez smērvielas.

⚠UZMANĪBU:

- Pārmērīgs spiediens uz darbarīku urbšanas ātrumu nepalielinās. Būtībā, pārmērīgs spiediens tikai bojās urbja uzgali, samazinās darbarīka jaudu un saīsinās tā kalpošanas laiku.
- Cauruma izlaušanas brīdī uz darbarīku un uzgali iedarbojas ārkārtīgs spēks. Stingri turiet darbarīku un īpaši uzmanieties brīdī, kad urbja uzgali sāks virzīties cauri apstrādājamaļai daļai.
- Iestrēgušu urbi var atbrīvot, vienkārši uzstādot griešanās virziena pārslēdzēju pretējā rotācijas virzienā, lai tas virzītos atpakaļ uz āru. Taču esiet uzmanīgi, jo, ja ierīci neturēsiet stingri, tā var strauji virzīties atpakaļ.
- Nelielas apstrādājamas detaļas vienmēr ievietojiet skrūvspīlēs vai citā stiprinājuma ierīcē.
- Ja darbarīks tiek darbināts nepārtraukti, līdz akumulatora kasetne ir izlādējusies, pirms turpināt darbu ar jaunu akumulatoru, izslēdziet darbarīku uz 15 minūtēm.

APKOPE

UZMANĪBU:

- Pirms darbarīka pārbaudes vai apkopes vienmēr pārlicinieties, ka darbarīks ir izslēgts un akumulatora kasetne ir izņemta.
- Nekad neizmantojiet gāzotīnu, benzīnu, atšķaidītāju, spirtu vai līdzīgus šķidrumus. Tas var radīt izbalēšanu, deformāciju vai plaisas.

Lai saglabātu produkta DROŠU un UZTICAMU darbību, remontdarbus, apkopi un regulēšanu uzticiet veikt tikai Makita pilnvarotam apkopes centram un vienmēr izmantojiet tikai Makita rezerves daļas.

PAPILDU PIEDERUMI

UZMANĪBU:

- Šādi piederumi un rīki tiek ieteikti lietošanai ar šajā pamācībā aprakstīto Makita instrumentu. Jebkādu citu piederumu un rīku izmantošana var radīt traumu briesmas. Piederumu vai rīku izmantojiet tikai tā paredzētajam mērķim.

Ja jums vajadzīga palīdzība vai precīzāka informācija par šiem piederumiem, vērsieties savā tuvākajā Makita apkopes centrā.

- Urbja uzgali
- Skrūvgrieža uzgali
- Dažādi uzņēmuma Makita ražotie akumulatori un lādētāji
- Plastmasas pārnēsāšanas soma

PIEZĪME:

Daži sarakstā norādītie izstrādājumi var būt iekļauti instrumenta komplektācijā kā standarta piederumi. Tie dažādās valstīs var būt atšķirīgi.

LIETUVIŲ KALBA (Originali naudojimo instrukcija)

Bendrasis aprašymas

1-1. Raudonas indikatorius	3-1. Atbulinės eigos jungiklio svirtelė	5-3. Rodyklė
1-2. Mygtukas	4-1. Greičio keitimo svirtelė	6-1. Įvorė
1-3. Akumulatoriaus kasetė	5-1. Žiedo derinimas	
2-1. Jungiklio spraktukas	5-2. Padalos	

SPECIFIKACIJOS

Modelis		DF347D	DF457D
Paskirtis	Plienas	10 mm	13 mm
	Medis	25 mm	36 mm
	Medvaržtis	5,1 x 63 mm	6 mm x 75 mm
	Mašinos varžtas	6 mm	
Greitis be apkrovos (min ⁻¹)	Aukštas (2)	0 - 1 400	
	Žemas (1)	0 - 400	
Bendras ilgis	Šiaurės Amerika / Pietų Amerika	198 mm	228 mm
	Kitos šalys		221 mm
Neto svoris		1,4 kg	1,7 kg
nominali įtampa		Nuol. sr. 14,4 V	Nuol. Sr. 18 V

- Atliekame nepertraukiamus tyrimus ir nuolatos tobuliname savo gaminius, todėl čia pateikiamos specifikacijos gali būti keičiamos be įspėjimo.
- Specifikacijos ir akumuliatorių kasetės įvairiose šalyse gali skirtis.
- Svoris su akumulatoriaus kasete pagal Europos elektrinių įrankių asociacijos metodiką „EPTA-Procedure 01/2003“

Naudojimo paskirtis

Šis įrenginys yra skirtas medienai, metalui ir plastmasei gręžti.

Triukšmas

Tipiškas A svertinis triukšmo lygis nustatytas pagal EN60745:

Garso slėgio lygis (L_{pA}): 70 dB (A) ar mažiau

Paklaida (K): 3 dB (A)

Dirbant triukšmo lygis gali viršyti 80 dB (A)

Dėvėkite ausų apsaugas

Vibracija

Vibracijos bendroji vertė (trijų ašių vektorinė suma) nustatyta pagal EN60745:

Darbinis režimas: metalo gręžimas

Vibracijos skleidimas ($a_{h,D}$): 2,5 m/s² arba mažiau

Paklaida (K) : 1,5 m/s²

- Paskelbtasis vibracijos emisijos dydis nustatytas pagal standartinį testavimo metodą ir jį galima naudoti vienam įrankiui palyginti su kitu.
- Paskelbtasis vibracijos emisijos dydis taip pat gali būti naudojamas preliminariai įvertinti vibracijos poveikį.

⚠️ ĮSPĖJIMAS:

- Faktiškai naudojant elektrinį įrankį, keliamos vibracijos dydis gali skirtis nuo paskelbtojo dydžio, priklausomai nuo būdų, kuriais yra naudojamas šis įrankis.
- Siekiant apsaugoti operatorių, būtina įvertinkite saugos priemones, remdamiesi vibracijos poveikio įvertinimu esant faktinėms naudojimo sąlygoms (atsižvelgdami į visas darbo ciklo dalis, pavyzdžiui, ne tik kiek laiko įrankis veikia, bet ir kiek kartų jis yra išjungiamas bei kai jis veikia be apkrovų).

Tik Europos šalims

ES atitikties deklaracija

Mes, „Makita Corporation“ bendrovė, būdami atsakingas gamintojas, pareiškiame, kad šis „Makita“ mechanizmas(-ai):

Mechanizmo paskirtis:

akumuliatorinis grąžtas

Modelio Nr./ tipas: DF347D,DF457D

priklauso serijinei gamybai ir

atitinka šias Europos direktyvas:

2006/42/EC

ir yra pagamintas pagal šiuos standartus arba normatyvinius dokumentus:

EN60745

Techninę dokumentaciją saugo mūsų įgaliotasis atstovas Europoje, kuris yra:

Makita International Europe Ltd.
Michigan Drive, Tongwell,
Milton Keynes, Bucks MK15 8JD, England (Anglija)

23.8.2010



000230

Tomoyasu Kato
Direktorius
Makita Corporation
3-11-8, Sumiyoshi-cho,
Anjo, Aichi, 446-8502, JAPAN (Japonija)

GEA010-1

Bendrieji perspėjimai darbui su elektriniais įrankiais

⚠ ĮSPĖJIMAS Perskaitykite visus saugos įspėjimus ir instrukcijas. Nesilaikydami žemiau pateiktų įspėjimų ir instrukcijų galite patirti elektros smūgį, gaisrą ir/arba sunkų sužeidimą.

Išsaugokite visus įspėjimus ir instrukcijas, kad galėtumėte jas peržiūrėti ateityje.

GEB051-2

SAUGOS ĮSPĖJIMAI DĖL AKUMULIATORINIO GRAŽTO NAUDOJIMO

1. Naudokite su įrankiu pridėtą išorinę rankeną (rankeną). Nesuvaldę įrankio galite susižeisti.
2. Atlikdami darbus, kurių metu pjovimo dalis galėtų užkliudyti nematomą laidą arba savo paties laidą, laikykite elektrinius įrankius už izoliuotų paviršių. Pjovimo daliai prisilietus prie „gyvo“ laido, neizoliuotos metalinės elektrinio įrankio dalys gali sukelti elektros smūgį ir nutrenkti operatorių.
3. Visuomet stovėkite tvirtai. Įsitikinkite, kad po jumis nieko nėra, jei dirbate aukštai.
4. Tvirtai laikykite įrankį.
5. Laikykite rankas toliau nuo sukamųjų dalių.
6. Nepalikite veikiančio įrankio. Naudokite įrankį tik laikydami rankomis.
7. Nelieskite gražto arba ruošinio iškart po naudojimo; jie gali būti itin karšti ir gali nudeginti odą.
8. Kai kuriose medžiagose esama cheminių medžiagų, kurios gali būti nuodingos. Saugokitės, kad neįkvėptumėte dulkių ir nesiliestumėte oda. Laikykitės medžiagų

tieskėjų saugos duomenimis.

SAUGOKITE ŠIAS INSTRUKCIJAS.

⚠ ĮSPĖJIMAS:

NELEISKITE, kad patogumas ir gaminio pažinimas (įgyjamas pakartotinai naudojant) susilpnintų griežtą saugos taisyklių, taikytinų šiam gaminiui, laikymąsi. Dėl **NETINKAMO NAUDOJIMO** arba saugos taisyklių nesilaikymo, kurios pateiktos šioje instrukcijoje galima rimtai susižeisti.

ENC009-1

SVARBIOS SAUGOS INSTRUKCIJOS

AKUMULIATORIAUS KASETEI

1. Prieš naudodami akumulatoriaus kasetę, perskaitykite visas instrukcijas ir perspėjimus ant (1) akumuliatorių kroviklio, (2) akumuliatorių ir (3) akumuliatorių naudojančio gaminio.
 2. Neardykite akumulatoriaus kasetės.
 3. Jei įrankio darbo laikas žymiai sutrumpėjo, nedelsdami nutraukite darbą su įrankiu. Tai kelia perkaitimo, nudegimų ar net sprogo pavojų.
 4. Jei elektrolitas pateko į akis, plaukite jas tyru vandeniu ir nedelsdami kreipkitės į gydytoją. Yra regėjimo praradimo pavojus.
 5. Neužtrumpinkite akumulatoriaus kasetės:
 - (1) kontaktų nelieskite jokiais elektrai laidžiomis medžiagomis;
 - (2) venkite laikyti akumulatoriaus kasetę kartu su kitais metaliniais daiktais, pavyzdžiui, vinimis, monetomis ir .t. t.;
 - (3) Saugokite akumulatoriaus kasetę nuo vandens ir lietaus.
- Trumpasis jungimas akumuliatoriuje gali sukelti stiprią srovę, perkaitimą, galimus nudegimus ar net akumulatoriaus gedimą.
6. nelaikykite įrankio ir akumulatoriaus kasetės vietose, kur temperatūra gali pasiekti ar viršyti 50 ° C (122 ° F);
 7. nedeginkite akumulatoriaus kasetės, net jei yra stipriai pažeista ar visiškai susidėvėjusi. Ugnyje akumulatoriaus kasetė gali sprogti.
 8. Saugokite akumuliatorių nuo kritimo ir smūgių.
 9. Nenaudokite pažeisto akumulatoriaus.

SAUGOKITE ŠIAS INSTRUKCIJAS.

Patarimai, ką daryti, kad akumulatorius tarnautų kuo ilgiau

1. **Kraukite akumulatoriaus kasetę prieš jai visiškai išsikraunant.**
Visuomet nustokite naudoti įrankį ir kraukite akumulatoriaus kasetę, kai pastebite sumažėjusią įrankio galią.
2. **Niekada nekraukite iki galo įkrautos akumulatoriaus kasetės.**
Per didelis įkrovimas trumpina akumulatoriaus eksploatacijos laiką.
3. **Kraukite akumulatoriaus kasetę kambario temperatūroje 10 ° C - 40 ° C (50 ° F - 104 ° F).**
Prieš kraudami leiskite atvėsti karštai akumulatoriaus kasetei.

VEIKIMO APRAŠYMAS

⚠ DĖMESIO:

- Prieš reguliuodami įrenginį arba tikrindami jo veikimą visada patikrinkite, ar įrenginys išjungtas, o akumuliatorių kasetė - nuimta.

Akumulatoriaus kasetės uždėjimas ir nuėmimas

Pav.1

- Prieš įdėdami arba išimdami akumulatoriaus kasetę, visada išjunkite įrankį.
- Jei norite išimti akumulatoriaus kasetę, ištraukite ją iš įrankio, stumdami mygtuką, esantį kasetės priekyje.
- Jei norite įdėti akumulatoriaus kasetę, sulygiuokite liežuvėlį ant akumulatoriaus kasetės su griovelio korpuse ir įstumkite į skirtą vietą. Visuomet įdėkite iki galo, kol spragtelėdama užsifiksuos. Jei matote raudoną indikatorių viršutinėje mygtuko pusėje, ji ne visiškai užfiksuota. Įkiškite ją iki galo, kol nebematysite raudono indikatoriaus. Priešingu atveju ji gali atsitiktinai iškristi iš įrankio, sužeisti jus ar aplinkinius.
- Nenaudokite jėgos, įdėdami akumulatoriaus kasetę. Jei kasetė sunkiai lenda, ji neteisingai kišama.

Akumulatoriaus apsaugos sistema

Akumulatoriaus kasetėje įrengta apsaugos sistema, kuri automatiškai išjungia išėjimo galią, kad akumuliatorius ilgiau tarnautų.

Įrankis išsijungia darbo metu esant tokioms įrankio ir (arba) akumuliatorius darbo sąlygoms. Šią būseną sukelia įsijungusi apsaugos sistema ir tai nėra įrankio gedimas.

- Kai įrankis yra perkrautas:
Toku atveju atleiskite gaiduką, ištraukite akumulatoriaus kasetę ir pašalinkite perkrovos priežastis, tuomet vėl paspauskite gaiduką, kad įrankis vėl imtų veikti.
- Kai akumulatoriaus elementai įkaista:
Bandant atlikti bet kokią veiksmą svirtiniu jungikliu, variklis vis tiek neįsijungia. Tokiu

atveju nebenaudokite įrankio ir palaukite, kol akumulatoriaus kasetė atvės.

- Kai akumuliatorius beveik išsikrovęs:
Patraukus svirtinį jungiklį, variklis pradeda veikti, bet netrukus vėl išsijungia. Tokiu atveju, norėdami išvengti variklio perkrovos, ištraukite akumulatoriaus kasetę iš įrankio ir įkraukite ją.

Jungiklio veikimas

Pav.2

⚠ DĖMESIO:

- Prieš dėdami akumulatoriaus kasetę į įrankį, visuomet patikrinkite, kad jungiklio mygtukas gerai veiktų ir atleistas grįžtų į padėtį „OFF“.

Norėdami pradėti dirbti įrankiu tiesiog paspauskite jungiklį. Įrankio greitis didėja didinant spaudimą į jungiklį. Norėdami sustabdyti atleiskite jungiklį.

Atbulinės eigos jungimas

Pav.3

Šis įrankis turi atbulinės eigos jungiklį sukimosi kryptiai keisti. Nuspauskite atbulinės eigos jungiklio svirtelę iš pusės A, kad sukūsi pagal laikrodžio rodyklę, arba iš B pusės, kad sukūsi prieš laikrodžio rodyklę.

Kai atbulinės eigos jungiklio svirtelė yra neutralioje padėtyje, jungiklio spausti negalima.

⚠ DĖMESIO:

- Prieš naudodami visuomet patikrinkite sukimosi kryptį.
- Atbulinės eigos jungiklį naudokite tik įrankiui visiškai sustojus. Jei keisite sukimosi kryptį prieš įrankiui sustojant, galite pažeisti įrankį.
- Kai nenaudojate įrankio, visuomet nustatykite atbulinės eigos jungiklio svirtelę į neutralią padėtį.

Greičio keitimas

Pav.4

Jei norite pakeisti greitį, pirmiausia išjunkite įrankį ir tada pastumkite greičio keitimo svirtelę į padėtį „2“, jei norite didelio greičio, arba į padėtį „1“, jei norite mažo greičio. Prieš naudodami įsitikinkite, kad greičio keitimo svirtelė yra nustatyta į teisingą padėtį. Naudokite tinkamą greitį jūsų darbui.

⚠ DĖMESIO:

- Visuomet nustatykite greičio keitimo svirtelę iki galo į teisingą padėtį. Jei įrankį valdote greičio keitimo svirtelė nustatyta per vidurį tarp padėčių „1“ ir „2“, galite sugadinti įrankį.
- Nenaudokite greičio keitimo svirtelės tol, kol įrankis veikia. Įrankis gali būti pažeistas.

Veržimo sukimo momento reguliavimas

Pav.5

Veržimo sukimo momentą galima reguliuoti 17 žingsnių sukant reguliavimo žiedą taip, kad jo skalė būtų

sulygiuota su rodykle ant įrankio korpuso. Veržimo sukimo momentas yra mažiausias, kai skaičius 1 yra sulygiuotas su rodykle, ir didžiausias, kai 8 žymė yra sulygiuota su rodykle.

Mova prasisuks esant skirtingiems sukimo momentams nustačius nuo 1 iki 16. Mova yra sukurta dirbti be prasisukimo nustačius ties gražto žyme 8.

Prieš naudodami, pamėginkite sukti varžtą į reikiama arba analogišką medžiagą, kad išsiaiškintumėte, kuris sukimo momento lygis yra reikalingas konkrečiai užduočiai atlikti.

SURINKIMAS

⚠ DĖMESIO:

- Prieš darydami ką nors įrankiui visada patikrinkite, ar įrenginys išjungtas, o akumuliatorių kasetė - nuimta.

Gražto dėjimas ir išėmimas

Pav.6

Pasukite įvorę prieš laikrodžio rodyklę, kad atidarytumėte kumštelinį griebtuvą. Įdėkite gražtą į kumštelinį griebtuvą tiek giliai, kiek lenda. Pasukite įvorę pagal laikrodžio rodyklę, kad priveržtumėte kumštelinį griebtuvą.

Jei norite išimti gražtą, pasukite įvorę prieš laikrodžio rodyklę.

NAUDOJIMAS

⚠ DĖMESIO:

- Visuomet dėkite akumuliatoriaus kasetę iki galo tol, kol užsifiksuos. Jei matote raudoną indikatorių viršutinėje mygtuko pusėje, jis ne visiškai užfiksuotas. Įstumkite jį iki galo tol, kol nebematysite raudono indikatoriaus. Priešingu atveju jį gali atsitiktinai iškristi iš įrankio, sužeisti jus ar aplinkinius.

Varžtų sukimas

Pav.7

⚠ DĖMESIO:

- Sureguliuokite reguliavimo žiedą tinkamam jūsų darbui lygiui.

Pridėkite atsuktuvo galiuką prie varžto galvutės ir paspauskite įrankį. Pradėkite dirbti įrankiu mažu greičiu ir palaipsniui didinkite greitį. Atleiskite mygtuką, kai tik įlenda griebtuvas.

⚠ DĖMESIO:

- Patikrinkite, ar atsuktuvai įstatyti tiesiai į varžto galvutę, nes kitaip galima sugadinti varžtą ir / arba atsuktuvą.

PASTABA:

- Kai sukate medvaržčius, iš anksto išgręžkite vedančiąsias skylutes, kad būtų lengviau sukti ir

apsaugotumėte ruošinį nuo skilimo. Žr. lentelę.

Vardinis medinio varžto diametras (mm)	Rekomenduojamas vedančiosios skylės dydis (mm)
3,1	2,0 - 2,2
3,5	2,2 - 2,5
3,8	2,5 - 2,8
4,5	2,9 - 3,2
4,8	3,1 - 3,4
5,1	3,3 - 3,6
5,5	3,7 - 3,9
5,8	4,0 - 4,2
6,1	4,2 - 4,4

006421

Gręžimas

Pirmiausia, pasukite reguliavimo žiedą taip, kad rodyklė rodytų į žymę 8. Tuomet tęskite darbą, kaip nurodyta žemiau.

Medienos gręžimas

Kai gręžiate medieną, geriausi rezultatai gaunami su gražtais, turinčiais vedantįjį varžtą. Vedantysis varžtas palengvina gręžimą įtraukdamas gražtą į ruošinį.

Metalo gręžimas

Kad gražtas neslystų, kai pradėsite gręžti skylę, įmuškite duobutę centro muškliu ir plaktuku numatomoje gręžimo vietoje. Pridėkite gražto galą į įdubimą ir pradėkite gręžti.

Gręždami metalus naudokite pjovimo lubrikantą. Išimtis yra geležis ir žalvaris, kuriuos gręžti reikia sausai.

⚠ DĖMESIO:

- Per didelis įrankio spaudimas nepagreitins gręžimo. Iš tikrųjų, šis spaudimas gali tik padėti pažeisti gražto galą, pabloginti įrankio darbą ir sutrumpinti jo eksploatacavimo trukmę.
- Įrankį ir gražtą veikia didelė sukamoji jėga, kai gręžiama skylė. Laikykite įrankį tvirtai ir atsargiai žiūrėkite, kada gražtas pradės gręžti ruošinį.
- Įstrigusį gražtą galima ištraukti tiesiog nustatykite atbulinės eigos jungiklį į atbulinės eigos sukimąsi. Tačiau įrankis gali grubiai judėti atgal, jei tvirtai nelaikysite įrankio.
- Visuomet įtvirtinkite mažus ruošinius spaustuve ar panašiose laikiklyje.
- Jei įrankis naudojamas tol, kol akumuliatoriaus kasetė išsikrauna, leiskite įrankiui pailsėti 15 minučių prieš tęsdami su kitu akumuliatoriumi.

TECHNINĖ PRIEŽIŪRA

⚠ DĖMESIO:

- Visuomet įsitinkite, kad įrankis yra išjungtas ir akumuliatoriaus kasetė yra nuimta prieš atliekant apžiūrą ir priežiūrą.
- Niekada nenaudokite gazolino, benzino, tirpiklio, spirito arba panašių medžiagų. Gali atsirasti išblukimų, deformacijų arba įtrūkimų.

Kad gaminys būtų SAUGUS ir PATIKIMAS, jį taisyti, apžiūrėti ar vykdyti bet kokią kitą priežiūrą ar derinimą

turi įgaliojasis kompanijos „Makita“ techninės priežiūros centras; reikia naudoti tik kompanijos „Makita“ pagamintas atsargines dalis.

PASIRENKAMI PRIEDAI

DĖMESIO:

- Su šiame vadove aprašytu įrenginiu „Makita“ rekomenduojama naudoti tik nurodytus priedus ir papildomus įtaisus. Jeigu bus naudojami kitokie priedai ar papildomi įtaisai, gali būti sužaloti žmonės. Priedus arba papildomus įtaisus naudokite tik pagal paskirtį.

Jeigu norite daugiau sužinoti apie tuos priedus, kreipkitės į artimiausią „Makita“ techninės priežiūros centrą.

- Gražtai
- Atsuktuvai
- Įvairių tipų Makita originalūs akumulatoriai ir krovikliai
- Plastikinis dėklas

PASTABA:

Kai kurie sąraše esantys priedai gali būti pateikti įrankio pakuotėje kaip standartiniai priedai. Jie įvairiose šalyse gali skirtis.

1-1. Punane näidik
1-2. Nupp
1-3. Akukassett
2-1. Lüliti päästik

3-1. Suunamuutmislüliti hoob
4-1. Kiiruseregulaatori hoob
5-1. Reguleerimise rõngas
5-2. Kraadijaotised

5-3. Nool
6-1. Hülss

TEHNILISED ANDMED

Mudel	DF347D	DF457D
Suutliikkus	Metall	10 mm
	Puit	25 mm
	Puidukruvi	5,1 x 63 mm
	Masinkruvi	6 mm
Ilma koormuseta kiirus (min ⁻¹)	Kiire (2)	0 - 1 400
	Aeglane (1)	0 - 400
Kogupikkus	Põhja-/Lõuna-Ameerika	198 mm
	Teised riigid	228 mm
Netomass	1,4 kg	1,7 kg
Nimipinge	Alalisvool 14,4 V	Alalisvool 18 V

- Meie jätkuva teadus- ja arendustegevuse programmi tõttu võidakse siin antud tehnilisi andmeid muuta ilma ette teatamata.
- Spetsifikatsioonid ja aku korpus võivad riigiti erineda.
- Kaal koos aku korpusega vastavalt EPTA-protseduurile 01/2003

ENE034-1

Kasutuse sihtotstarve

See tööriist on mõeldud puidu, metalli ja plasti puurimiseks ja sinna kruvide keeramiseks.

ENG905-1

Müra

Tüüpiline A-korrigeeritud müratase vastavalt EN60745:

Helirõhu tase (L_{pA}) : 70 dB(A) või vähem

Määramatus (K): 3 dB(A)

Müratase tööajal võib ületada 80 dB(A)

Kandke kõrvakaitsmeid

ENG900-1

Vibratsioon

Vibratsiooni koguväärtus (kolmeteljeliste vektorite summa) määratud vastavalt EN60745:

Töörežiim: metalli puurimine

Vibratsioonitase ($a_{h,D}$) : 2,5 m/s² või vähem

Määramatus (K) : 1,5 m/s²

ENG901-1

- Deklareeritud vibratsiooniemissiooni väärtus on mõõdetud kooskõlas standardse testimismeetodiga ning seda võib kasutada ühe seadme võrdlemiseks teisega.
- Deklareeritud vibratsiooniemissiooni väärtust võib kasutada ka mürataseme esmaseks hindamiseks.

⚠ HOIATUS:

- Vibratsioonitase võib elektritööriista tegelikkuses kasutamise ajal erineda deklareeritud väärtusest

sõltuvalt tööriista kasutamise viisidest.

- Rakendage kindlasti operaatori kaitsmiseks piisavaid ohutusabinõusid, mis põhinevad hinnangulisel müratasemel tegelikus töösituatsioonid (võttes arvesse tööperioodi kõik osad nagu näiteks korrad, mil seade lülitatakse välja ja mil seade töötab tühikäigul, lisaks tööajale).

ENH101-15

Ainult Euroopa riigid

EÜ vastavusdeklaratsioon

Makita korporatsiooni vastutava tootjana kinnitame, et alljärgnev(ad) Makita masin(ad):

masina tähistus:

Juhtmeta trell-kruvikeeraja

mudel nr./tüüp: DF347D,DF457D

on seeriatoodang ja

vastavad alljärgnevatele Euroopa Parlamendi ja nõukogu direktiividele:

2006/42/EC

ning on toodetud vastavalt alljärgnevatele standarditele või standardiseeritud dokumentidele:

EN60745

Tehnilist dokumentatsiooni hoitakse meie volitatud esindaja käes Euroopas, kelleks on:

Makita International Europe Ltd.

Michigan Drive, Tongwell,

Milton Keynes, Bucks MK15 8JD, Inglismaa

23.8.2010



000230

Tomoyasu Kato
Direktor
Makita Corporation
3-11-8, Sumiyoshi-cho,
Anjo, Aichi, 446-8502, JAAPAN

GEA010-1

Üldised elektritööriistade ohutushoiatused

⚠ HOIATUS Lugege läbi kõik ohutushoiatused ja juhised. Hoiatuste ja juhiste mittejärgmine võib põhjustada elektrišokki, tulekahju ja/või tõsiseid vigastusi.

Hoidke alles kõik hoiatused ja juhised edaspidisteks viideteks.

GEB051-2

AKUTRELLI OHUTUSNÕUDED

1. Kasutage lisakäepidet/pidemeid, kui need on tööriistadega kaasas. Kontrolli puudumine võib põhjustada inimestele vigastusi.
2. Hoidke elektritööriista isoleeritud haardepindadest, kui töötate kohas, kus löiketera võib sattuda kokkupuutesse varjatud juhtmetega. Voolu all oleva juhtmega kokkupuutesse sattunud löiketera võib pingestada elektritööriista metalloosi ning põhjustada kasutajale elektrilöögi.
3. Veenduge alati, et omaksite kindlat toetuspinda.
Kui töötate kõrguses, siis jälgige, et teist allpool ei viibiks inimesi.
4. Hoidke tööriista kindlalt käes.
5. Hoidke käed eemal pöörlevatest osadest.
6. Ärge jätke tööriista käima. Käivitage tööriist ainult siis, kui hoiate seda käes.
7. Ärge puutuge puuri või töödeldavat detaili vahetult peale puurimist; need võivad olla väga kuumad ja põhjustada põletushaavu.
8. Mõned materjalid võivad sisaldada mürgiseid aineid. Rakendage meetmeid tolmu sissehingamise ja nahaga kokkupuute vältimiseks. Järgige materjali tarnija ohutusosalast teavet.

HOIDKE JUHEND ALLES.

⚠ HOIATUS:

ÄRGE laske mugavusel või toote kasutamisharjumustel (mis on saadud korduva kasutuse jooksul) asendada vankumatut toote ohutuseeskirjade järgimist. **VALE KASUTUS** või

käesoleva kasutusjuhendi ohutusnõuete eiramine võib põhjustada tõsiseid vigastusi.

ENC009-1

TÄHTSAD OHUTUSALASED JUHISED

AKUKASSETI KOHTA

1. Enne akukasseti kasutamist lugege (1) akulaadial, (2) akul ja (3) seadmel olevad kõik juhised ja hoiatused läbi.
2. Ärge akukassetti lahti monteeringe.
3. Kui tööaeg järjest lüheneb, siis lõpetage kasutamine koheselt. Edasise kasutamise tulemuseks võib olla ülekuumenemisoht, võimalikud põletused või isegi plahvatus.
4. Kui elektrolüüti satub silma, siis loputage silma puhta veega ja pöörduge koheselt arsti poole. Selline õnnetus võib põhjustada pimedaksjäämist.
5. Ärge tekitage akukassetis lühist:
 - (1) Ärge puutuge klemme elektrijuhtidega.
 - (2) Ärge hoidke akukassetti tööriistakastis koos metallesemetega, nagu naelad, mündid jne.
 - (3) Ärge tehke akukassetti märjaks ega jätke seda vihma kätte.

Aku lühis võib põhjustada tugevat elektrivoolu, ülekuumenemist, põletusi ning ka seadet tõsiselt kahjustada.

6. Ärge hoidke tööriista ja akukassetti kohtades, kus temperatuur võib tõusta üle 50 ° C.
7. Ärge põletage akukassetti isegi siis, kui see on saanud tõsiselt vigastada või on täiesti kulunud. Akukassett võib tules plahvatada.
8. Olge ettevaatlik ning ärge laske akul maha kukkuda või lööge seda.
9. Ärge kasutage kahjustatud akut.

HOIDKE JUHEND ALLES.

Vihjeid aku maksimaalse kasutusaja tagamise kohta

1. Laadige akukassetti enne kui see täiesti tühjaks saab.
Alati, kui märkate, et tööriist töötab väiksema võimsusega, peatage töö ja laadige akut.
2. Ärge kunagi laadige täislaetud akukassetti. Liigne laadimine lühendab aku kasutusiga.
3. Laadige akukassetti toatemperatuuril 10 ° C - 40 ° C. Laske kuumal akukassetil enne laadimist maha jahtuda.

FUNKTSIONAALNE KIRJELDUS

⚠HOIATUS:

- Kandke alati hoolt selle eest, et tööriist oleks enne reguleerimist ja kontrollimist välja lülitatud ja akukassett eemaldatud.

Akukasseti paigaldamine või eemaldamine

Joon.1

- Lülitage tööriist alati enne akukasseti paigaldamist või eemaldamist välja.
- Akukasseti eemaldamiseks libistage see tööriista küljest lahti, vajutades kasseti esiküljel paiknevaid nuppe alla.
- Akukasseti paigaldamiseks joondage akukasseti keel korpuse soonega ja libistage kassett oma kohale. Paigaldage kassett nii kaugele, et see lukustuks klõpsatusega oma kohale. Kui näete nupu ülaosas punast osa, pole kassett täielikult lukustunud. Paigaldage see täies ulatuses nii, et punast osa ei jääks näha. Vastasel korral võib kassett tööriistast välja kukkuda ning vigastada Teid või läheduses viibivaid isikuid.
- Ärge kasutage akukasseti paigaldamisel jõudu. Kui kassett ei lähe kergesti sisse, pole see õigesti paigaldatud.

Aku kaitsesüsteem

Akukassett on varustatud kaitsesüsteemiga, mis lülitab väljundvõimsuse automaatselt välja, et tagada tööriista pikk tööiga.

Tööriist seiskub käitamise ajal, kui tööriista ja/või aku kohta kehtivad järgmised tingimused. Selle põhjuseks ei ole tööriista rike, vaid aktiveeritud kaitsesüsteem.

- Tööriista ülekoormus:
Sellisel juhul vabastage käivitusnupp, eemaldage akukassett ja kõrvaldage ülekoormuse põhjused ning käivitamiseks vajutage uuesti käivitusnappu.
- Kui akuelemendid kuumenevad:
Kui kasutatakse lüliti päästikut, kuid mootor ei hakka tööle. Sellisel juhul lõpetage tööriista kasutamine ja jahutage akukassetti.
- Kui aku võimsus väheneb:
Kui tõmbate lüliti päästikut, mootor käivitub uuesti, kuid seiskub peagi. Sellisel juhul võtke akukassett liigse tühjenemise vältimiseks tööriistast välja ja laadige seda.

Lüliti funktsioneerimine

Joon.2

⚠HOIATUS:

- Kontrollige alati enne akukasseti tööriista külge paigaldamist, kas lüliti päästik funktsioneerib nõuetekohaselt ja liigub lahtilaskmisel tagasi väljalülitatud asendisse.

Tööriista töölelülitamiseks on vaja lihtsalt lüliti päästikut tõmmata. Tööriista kiirus kasvab siis, kui suurendate survet lüliti päästikule. Seiskamiseks vabastage lüliti päästik.

Suunamuutmise lüliti töötamisviis

Joon.3

Sellel tööriistal on suunamuutmise lüliti, millega saab muuta pöörlemise suunda. Suruge suunamuutmisüliti hoob A-küljel alla ning tööriist pöörleb päripäeva või vastupäeva pöörlemiseks suruge see alla B-küljel.

Kui suunamuutmisüliti hoob on neutraalses asendis, siis lüliti päästikut tõmmata ei saa.

⚠HOIATUS:

- Enne töö alustamist kontrollige alati pöörlemise suunda.
- Kasutage pöörlemissuuna lüliti alles pärast tööriista täielikku seiskumist. Enne tööriista seiskumist suuna muutmine võib tööriista kahjustada.
- Kui tööriista ei kasutata, peab suunamuutmisüliti hoob olema alati neutraalses asendis.

Kiiruse muutmine

Joon.4

Kiiruse muutmiseks lülitage esmalt tööriist välja ning alles siis libistage kiiruseregulaatori hooba kiiruse suurendamiseks asendisse „2” ja vähendamiseks asendisse „1”. Veenduge, et enne töö alustamist on kiiruseregulaatori hoob õiges asendis. Valige teostatava tööga sobiv kiirus.

⚠HOIATUS:

- Seadke kiiruseregulaatori hoob alati õigesse asendisse. Tööriista kasutamine selliselt, et kiiruseregulaatori hoob paikneb „1” ja „2” asendi vahel, võib tööriista kahjustada.
- Ärge kasutage kiiruseregulaatori hooba siis, kui tööriist töötab. See võib tööriista kahjustada.

Kinnitamiste väändemomendi reguleerimine

Joon.5

Väändemomendi saab reguleerida 17 astmes keerates reguleerimisrõngast nii, et selle skaalajaotused joonduksid seadme korpusel oleva osutiga. Väändemoment on minimaalne, kui osutiga joondub märged 1, ning maksimaalne, kui osutiga joondub 8 märged.

Sõltuvalt valitud väändemomendist libiseb sidur koormuste 1 kuni 16 korral. Sidur ei tohi libiseda 8 märged korral.

Enne seadme kasutamist kruvige üks kruvi prooviks töödeldavasse pinda või sarnasesse pinda, et teha kindlaks, milline väändemomendi tase on antud töö jaoks sobivaim.

KOKKUPANEK

⚠ HOIATUS:

- Kandke alati hoolt selle eest, et tööriist oleks enne igasuguseid hooldustöid välja lülitatud ja akukassett eemaldatud.

Kruvikeerajaotsaku või puuri paigaldamine ja eemaldamine

Joon.6

Keerake pakkide avamiseks padrundi keret vastupäeva. Paigaldage otsak padrundisse maksimaalsele sügavusele. Keerake padrundi pingutamiseks selle keret vastupäeva.

Otsaku eemaldamiseks keerake padrundi keret vastupäeva.

TÖÖRIISTA KASUTAMINE

⚠ HOIATUS:

- Pange akukassett alati sisse nii sügavale, et see lukustuks oma kohale. Kui näete nupu ülaosas punast osa, pole kassett täielikult lukustunud. Sisestage see täies ulatuses nii, et punast osa ei jääks näha. Vastasel korral võib kassett juhuslikult tööriistast välja kukkuda ning vigastada Teid või läheduses viibivaid isikuid.

Kruvikeeraja režiim

Joon.7

⚠ HOIATUS:

- Reguleerige regulaatorrõngast oma töö suhtes sobivale väändemomendi tasemele.

Asetage kruvikeeramisoatsaku tipp kruvipeasse ja suruge tööriistale. Käivitage tööriist aeglaselt ja seejärel suurendage järk-järgult kiirust. Vabastage lüliti päästik niipea, kui sidur rakendub.

⚠ HOIATUS:

- Veenduge, et kruvikeeramisoatsak on asetatud kruvipeasse otse, vastasel korral võite kruvi ja/või otsakut kahjustada.

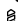
MÄRKUS:

- Kui keerate sisse puidukruvisid, puurige esmalt pilootauk, mis muudab kruvikeeramise lihtsamaks ja väldib töödeldava materjali lõhenemist. Vaadake graafikut.

Puidukruvi nominaaldiameeter (mm)	Pilootaugu soovitatav suurus (mm)
3,1	2,0 - 2,2
3,5	2,2 - 2,5
3,8	2,5 - 2,8
4,5	2,9 - 3,2
4,8	3,1 - 3,4
5,1	3,3 - 3,6
5,5	3,7 - 3,9
5,8	4,0 - 4,2
6,1	4,2 - 4,4

006421

Puurimisrežiim

Esmalt pöörake regulaatorrõngast selliselt, et osuti osutaks sümbolile . Siis jätkake järgmiselt.

Puidu puurimine

Puidu puurimise hõlbustamiseks kasutage juhtkruviga puure. Juhtkruvi lihtsustab puurimist, tõmmates otsaku pinna sisse.

Metalli puurimine

Puuri libisemise vältimiseks puurimise alustamise hetkel, tehke puuritavasle kohta kärni ja haamriga mäрге. Asetage puuri tipp märgi kohale ja alustage puurimist. Metallide puurimisel kasutage lõikuri määreõli. Erandiks on raud ja messing, mida tuleks puurida kuivalt.

⚠ HOIATUS:

- Liiga suur surve seadmele ei kiirenda puurimist. Liigne surve hoopis kahjustab puuri tippu, vähendab seadme efektiivsust ja lühendab seadme tööiga.
- Materjali läbistamisel rakendub tööriistale/puurile väga suur jõud. Hoidke tööriista kindlalt ning olge tähelepanelik, kui otsak hakkab puuritavast materjalist läbi tungima.
- Kinnikiilunud puuri saab lihtsalt vabastada, kui muudate puuri pöörlemissuuna vastupidiseks. Kui tööriista ei hoita kindlalt, võib see ootamatult tagasi viskuda.
- Väiksed töödeldavad detailid kinnitage alati kas kruustangide või sarnaste abivahenditega.
- Kui tööriistaga töötatakse järjest seni, kuni akukassett on tühi, laske tööriistal enne uue akuga töö jätkamist 15 minutit seista.

HOOLDUS

⚠ HOIATUS:

- Kandke alati enne kontroll- või hooldustoimingute teostamist hoolt selle eest, et tööriist oleks välja lülitatud ja akukassett korpuse küljest eemaldatud.
- Ärge kunagi kasutage bensiini, vedeldit, alkoholi ega midagi muud sarnast. Selle tulemuseks võib olla luitumine, deformatsioon või pragunemine.

Toote OHUTUSE ja TÖÖKINDLUSE tagamiseks tuleb vajalikud remonttööd, muud hooldus- ja reguleerimistööd lasta teha Makita volitatud teeninduskeskustes. Alati tuleb kasutada Makita varuosi.

VALIKULISED TARVIKUD

HOIATUS:

- Neid tarvikuid ja lisaseadiseid on soovitatav kasutada koos Makita tööriistaga, mille kasutamist selles kasutusjuhendis kirjeldatakse. Muude tarvikute ja lisaseadiste kasutamisega kaasneb vigastada saamise oht. Kasutage tarvikuid ja lisaseadiseid ainult otstarvetel, milleks need on ette nähtud.

Saate vajadusel kohalikust Makita teeninduskeskusest lisateavet nende tarvikute kohta.

- Puurid
- Kruvikeeramisosakud
- Mitut tüüpi Makita originaalakud ja laadijad
- Plastist kandekohver

MÄRKUS:

Mõned nimekirjas loetletud tarvikud võivad kuuluda standardvarustusse ning need on lisatud tööriista pakendisse. Need võivad riikide lõikes erineda.

РУССКИЙ ЯЗЫК (Исходная инструкция)

Объяснения общего плана

1-1. Красный индикатор	3-1. Рычаг реверсивного переключателя	5-2. Градуировка
1-2. Кнопка	4-1. Рычаг изменения скорости	5-3. Стрелка
1-3. Блок аккумулятора	5-1. Регулировочное кольцо	6-1. Втулка
2-1. Курковый выключатель		

ТЕХНИЧЕСКИЕ ХАРАКТЕРИСТИКИ

Модель	DF347D	DF457D	
Производительность	Сталь	10 мм	13 мм
	Дерево	25 мм	36 мм
	Шуруп	5,1 x 63 мм	6 мм x 75 мм
	Мелкий крепежный винт	6 мм	
Число оборотов без нагрузки (мин ⁻¹)	Высокая (2)	0 - 1400	
	Низкая (1)	0 - 400	
Общая длина	Северная/Южная Америка	198 мм	228 мм
	Другие страны		221 мм
Вес нетто	1,4 кг	1,7 кг	
Номинальное напряжение	14,4 В пост. Тока	18 В пост. Тока	

- Благодаря нашей постоянно действующей программе исследований и разработок, указанные здесь технические характеристики могут быть изменены без предварительного уведомления.
- Технические характеристики и аккумуляторный блок могут отличаться в зависимости от страны.
- Масса (с аккумуляторным блоком) в соответствии с процедурой EPTA 01.2003

ENE034-1

Назначение

Инструмент предназначен для сверления и закручивания шурупов в дерево, металл и пластик.

ENG905-1

Шум

Типичный уровень взвешенного звукового давления (A), измеренный в соответствии с EN60745:

Уровень звукового давления (L_{pA}): 70 дБ(A) или менее

Погрешность (K): 3 дБ (A)

Уровень шума при выполнении работ может превышать 80 дБ (A)

Используйте средства защиты слуха

ENG900-1

Вибрация

Суммарное значение вибрации (сумма векторов по трем осям) определяется по следующим параметрам EN60745:

Рабочий режим: сверление металла

Распространение вибрации ($a_{h,D}$): 2,5 м/с² или менее

Погрешность (K): 1,5 м/с²

ENG901-1

- Заявленное значение распространения вибрации измерено в соответствии со стандартной методикой испытаний и может быть использовано для сравнения

инструментов.

- Заявленное значение распространения вибрации можно также использовать для предварительных оценок воздействия.

⚠ ПРЕДУПРЕЖДЕНИ:

- Распространение вибрации во время фактического использования электроинструмента может отличаться от заявленного значения в зависимости способа применения инструмента.
- Обязательно определите меры безопасности для защиты оператора, основанные на оценке воздействия в реальных условиях использования (с учетом всех этапов рабочего цикла, таких как выключение инструмента, работа без нагрузки и включение).

ENH101-15

Только для европейских стран

Декларация о соответствии ЕС

Makita Corporation, являясь ответственным производителем, заявляет, что следующие устройства Makita:

Обозначение устройства:

Аккумуляторная Дрель - шуруповерт

Модель/Тип: DF347D, DF457D

являются серийными изделиями и

Соответствует следующим директивам ЕС:

2006/42/ЕС

И изготовлены в соответствии со следующими стандартами или нормативными документами:

EN60745

Техническая документация хранится у официального представителя в Европе:

Makita International Europe Ltd.
Michigan Drive, Tongwell,
Milton Keynes, Bucks MK15 8JD, England

23.8.2010



000230

Tomoyasu Kato
Директор
Makita Corporation
3-11-8, Sumiyoshi-cho,
Anjo, Aichi, 446-8502, JAPAN

GEA010-1

Общие рекомендации по технике безопасности для электроинструментов

⚠ ПРЕДУПРЕЖДЕНИЕ Ознакомьтесь со всеми инструкциями и рекомендациями по технике безопасности. Невыполнение инструкций и рекомендаций может привести к поражению электротоком, пожару и/или тяжелым травмам.

Сохраните брошюру с инструкциями и рекомендациями для дальнейшего использования.

GEV051-2

ПРАВИЛА ТЕХНИКИ БЕЗОПАСНОСТИ ПРИ ЭКСПЛУАТАЦИИ АККУМУЛЯТОРНОЙ ДРЕЛИ

1. Используйте дополнительную ручку (если входит в комплект инструмента. Утрата контроля над инструментом может привести к травме.
2. Если при выполнении работ существует риск контакта режущего инструмента со скрытой электропроводкой, держите электроинструмент за специально предназначенные изолированные поверхности. Контакт с проводом под напряжением приведет к тому, что металлические детали инструмента также будут под напряжением, что приведет к поражению оператора электрическим током.
3. При выполнении работ всегда занимайте устойчивое положение.
При использовании инструмента на высоте

убедитесь в отсутствии людей внизу.

4. Крепко держите инструмент.
5. Руки должны находиться на расстоянии от вращающихся деталей.
6. Не оставляйте работающий инструмент без присмотра. Включайте инструмент только тогда, когда он находится в руках.
7. Сразу после окончания работ не прикасайтесь к бите сверла или детали. Они могут быть очень горячими, что приведет к ожогам кожи.
8. Некоторые материалы могут содержать токсичные химические вещества. Примите соответствующие меры предосторожности, чтобы избежать вдыхания или контакта с кожей таких веществ. Соблюдайте требования, указанные в паспорте безопасности материала.

СОХРАНИТЕ ДАННЫЕ ИНСТРУКЦИИ.

⚠ ПРЕДУПРЕЖДЕНИ:

НЕ ДОПУСКАЙТЕ, чтобы удобство или опыт эксплуатации данного устройства (полученный от многократного использования) доминировали над строгим соблюдением правил техники безопасности при обращении с этим устройством. **НЕПРАВИЛЬНОЕ ИСПОЛЬЗОВАНИЕ** инструмента или несоблюдение правил техники безопасности, указанных в данном руководстве, может привести к тяжелой травме.

ENC009-1

ВАЖНЫЕ ИНСТРУКЦИИ ПО ТЕХНИКЕ БЕЗОПАСНОСТИ ДЛЯ АККУМУЛЯТОРНОГО БЛОКА

1. Перед использованием аккумуляторного блока прочитайте все инструкции и предупреждающие надписи на (1) зарядном устройстве, (2) аккумуляторном блоке и (3) инструменте, работающем от аккумуляторного блока.
2. Не разбирайте аккумуляторный блок.
3. Если время работы аккумуляторного блока значительно сократилось, немедленно прекратите работу. В противном случае, может возникнуть перегрев блока, что приведет к ожогам и даже к взрыву.
4. В случае попадания электролита в глаза, промойте их обильным количеством чистой воды и немедленно обратитесь к врачу. Это может привести к потере зрения.

5. Не замыкайте контакты аккумуляторного блока между собой:
 - (1) Не прикасайтесь к контактам какими-либо токопроводящими предметами.
 - (2) Избегайте хранить аккумуляторный блок в контейнере вместе с другими металлическими предметами, такими как гвозди, монеты и т. п.
 - (3) Не допускайте попадания на аккумуляторный блок воды или дождя.
 Замыкание контактов аккумуляторного блока между собой может привести к возникновению большого тока, перегреву, возможным ожогам и даже разрыву блока.
6. Не храните инструмент и аккумуляторный блок в местах, где температура может достигать или превышать 50 ° C (122 ° F).
7. Не бросайте аккумуляторный блок в огонь, даже если он сильно поврежден или полностью вышел из строя. Аккумуляторный блок может взорваться под действием огня.
8. Не роняйте и не ударяйте аккумуляторный блок.
9. Не используйте поврежденный аккумуляторный блок.

СОХРАНИТЕ ДАННЫЕ ИНСТРУКЦИИ.

Советы по обеспечению максимального срока службы аккумуляторного блока

1. Заряжайте аккумуляторный блок до того, как он полностью разрядится. В случае потери мощности при эксплуатации инструмента, прекратите работу и зарядите аккумуляторный блок.
2. Никогда не заряжайте полностью заряженный аккумуляторный блок. Перезарядка сокращает срок службы блока.
3. Заряжайте аккумуляторный блок при комнатной температуре в пределах от 10 ° C до 40 ° C (от 50 ° F до 104 ° F). Перед зарядкой дайте горячему аккумуляторному блоку остыть.

ОПИСАНИЕ ФУНКЦИОНИРОВАНИЯ

⚠ ПРЕДУПРЕЖДЕНИ:

- Перед регулировкой или проверкой функционирования всегда отключайте инструмент и вынимайте блок аккумуляторов.

Установка или снятие блока аккумуляторов

Рис.1

- Обязательно выключайте инструмент перед установкой и извлечением аккумуляторного блока.
- Для снятия аккумуляторного блока нажмите кнопку на лицевой стороне и извлеките блок.
- Для установки блока аккумуляторной батареи совместите выступ блока с пазом в корпусе и задвиньте его на место. Всегда устанавливайте блок до упора так, чтобы он зафиксировался на месте с небольшим щелчком. Если вы можете видеть красный индикатор на верхней части клавиши, аккумуляторный блок не полностью установлен на месте. Установите его до конца так, чтобы красный индикатор был не виден. В противном случае аккумуляторный блок может выпасть из инструмента и нанести травму вам или другим людям.
- Не применяйте силу при установке аккумуляторного блока. Если блок не движется свободно, значит он вставлен неправильно.

Система защиты аккумулятора

Блок аккумулятора оснащен системой защиты, которая автоматически отключает выходное питание для продления срока службы блока.

Инструмент останавливается во время работы при возникновении указанных ниже ситуаций. Это вызвано активацией системы защиты и не является признаком неисправности.

- В случае перегрузки инструмента:
 - Отпустите курковый выключатель, извлеките аккумуляторный блок, устраните причину перегрузки и затем снова нажмите на выключатель для перезапуска.
- Когда банки аккумуляторной батареи нагреваются:
 - При нажатии куркового переключателя электродвигатель не включается. В этом случае необходимо прекратить эксплуатацию инструмента и охладить аккумуляторный блок.
- В случае сильного истощения аккумулятора:
 - При нажатии куркового переключателя электродвигатель включается и сразу отключается. В этом случае, чтобы не допустить полной разрядки аккумуляторного блока, извлеките и

зарядите его.

Действие переключения

Рис.2

⚠️ ПРЕДУПРЕЖДЕНИ:

- Перед вставкой блока аккумуляторов в инструмент, всегда проверяйте, что триггерный переключатель работает надлежащим образом и возвращается в положение "ВЫКЛ", если его отпустить.

Для запуска инструмента просто нажмите триггерный переключатель. Скорость инструмента увеличивается при увеличении давления на триггерный переключатель. Отпустите триггерный переключатель для остановки.

Действие реверсивного переключателя

Рис.3

Данный инструмент имеет реверсивный переключатель для изменения направления вращения. Нажмите на рычаг реверсивного переключателя со стороны А для вращения по часовой стрелке или со стороны В для вращения против часовой стрелки.

Когда рычаг реверсивного переключателя находится в нейтральном положении, триггерный переключатель нажать нельзя.

⚠️ ПРЕДУПРЕЖДЕНИ:

- Перед работой всегда проверяйте направление вращения.
- Пользуйтесь реверсивным переключателем только после полной остановки инструмента. Изменение направления вращения до полной остановки инструмента может привести к его повреждению.
- Если инструмент не используется, всегда переводите рычаг реверсивного переключателя в нейтральное положение.

Изменение скорости

Рис.4

Для изменения скорости, сначала отключите инструмент, затем переведите рычаг переключения скорости в положение "2" для высокой скорости или в положение "1" для низкой скорости. Перед эксплуатацией убедитесь в том, что рычаг переключения скорости установлен в надлежащее положение. Используйте надлежащую скорость для Вашей работы.

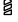
⚠️ ПРЕДУПРЕЖДЕНИ:


- Всегда полностью переводите рычаг изменения скорости в правильное положение. Если Вы работаете с инструментом, а рычаг изменения скорости находится посередине между обозначениями "1" и "2", это может привести к повреждению инструмента.

- Не используйте рычаг переключения скорости при работающем инструменте. Это может привести к повреждению инструмента.

Регулировка крутящего момента затяжки

Рис.5

Крутящий момент затяжки можно регулировать в 17 шагов путем поворота регулировочного кольца, чтобы его градации совмещались с указателем на корпусе инструмента. Крутящий момент затяжки минимален, когда цифра 1 совмещена с указателем, и максимален, когда отметка  совмещена с указателем.

Муфта будет проскальзывать при различных уровнях крутящего момента, установленного на значение от 1 до 16. Муфта спроектирована так, что она не проворачивается у отметки .

Перед началом фактической работы, закрутите пробный шуруп в Ваш материал или деталь из подобного материала, чтобы определить необходимый крутящий момент затяжки для данного конкретного случая.

МОНТАЖ

⚠️ ПРЕДУПРЕЖДЕНИ:

- Перед проведением каких-либо работ с инструментом всегда проверяйте, что инструмент отключен, а блок аккумуляторов снят.

Установка или снятие отверточной биты или сверла

Рис.6

Поверните втулку против часовой стрелки для открытия зажимных кулачков. Вставьте сверло в зажимной патрон как можно глубже. Поверните втулку по часовой стрелке для затяжки патрона.

Для снятия биты, поверните патрон против часовой стрелки.

ЭКСПЛУАТАЦИЯ

⚠️ ПРЕДУПРЕЖДЕНИ:

- Всегда устанавливайте блок до упора так, чтобы он зафиксировался на месте. Если на верхней части клавиши виден красный индикатор, аккумуляторный блок не полностью установлен на месте. Установите его до конца так, чтобы красный индикатор не был виден. В противном случае аккумуляторный блок может выпасть из инструмента и нанести травму вам или другим людям.

Работа в режиме шурупверта

Рис.7

⚠️ ПРЕДУПРЕЖДЕНИ:

- Установите регулировочное кольцо на соответствующий уровень крутящего момента для Вашей работы.

Вставьте острие отверточной биты в головку винта и надавите на инструмент. Включите инструмент на медленной скорости, затем постепенно увеличивайте ее. Отпустите триггерный переключатель, как только сработает сцепление.

⚠️ ПРЕДУПРЕЖДЕНИ:

- Следите за тем, чтобы отверточная бита вставлялась прямо в головку винта, иначе можно повредить винт и/или биту.


Примечание:

- При работе с винтами для дерева, высверлите пробные отверстия для упрощения работы и предотвращения разламывания деревянной рабочей детали. См. таблицу.

Номинальный диаметр шурупа (мм)	Рекомендуемый размер пробного отверстия (мм)
3,1	2,0 - 2,2
3,5	2,2 - 2,5
3,8	2,5 - 2,8
4,5	2,9 - 3,2
4,8	3,1 - 3,4
5,1	3,3 - 3,6
5,5	3,7 - 3,9
5,8	4,0 - 4,2
6,1	4,2 - 4,4

006421

Сверление

Сначала поверните регулировочное кольцо, чтобы совместить указатель с отметкой . Затем проделайте следующее.

Сверление в дереве

При сверлении в дереве, наилучшие результаты достигаются при использовании сверл для дерева, снабженных направляющим винтом. Направляющий винт упрощает сверление, удерживая сверло в обрабатываемой детали.

Сверление металла

Для предотвращения скольжения сверла при начале сверления, сделайте углубление с помощью кернера и молотка в точке сверления. Вставьте острие сверла в выемку и начните сверлить.

При сверлении металлов используйте смазку для резки. Исключение составляют чугун и латунь, которые надо сверлить насухо.

⚠️ ПРЕДУПРЕЖДЕНИ:

- Чрезмерное нажатие на инструмент не ускорит сверление. На самом деле, чрезмерное давление только повредит наконечник Вашего сверла, снизит производительность инструмента и сократит срок его службы.
- Когда просверливаемое отверстие становится сквозным, на инструмент/сверло воздействует значительная сила. Крепко удерживайте инструмент и будьте осторожны, когда сверло начинает проходить сквозь обрабатываемую деталь.
- Застрявшее сверло можно вынуть путем простого переключения реверсивного переключателя на обратное вращение задним ходом. Однако инструмент может повернуться в обратном направлении слишком быстро, если его не держать крепко.
- Всегда закрепляйте небольшие обрабатываемые детали в тисках или подобном зажимном устройстве.
- Если инструмент эксплуатировался непрерывно до разряда блока аккумуляторов, сделайте перерыв на 15 минут перед началом работы с заряженным аккумулятором.

ТЕХОБСЛУЖИВАНИЕ

⚠️ ПРЕДУПРЕЖДЕНИ:

- Перед проведением проверки или работ по техобслуживанию, всегда проверяйте, что инструмент выключен, а блок аккумуляторов вынут.
- Запрещается использовать бензин, лигроин, растворитель, спирт и т.п. Это может привести к изменению цвета, деформации и появлению трещин.

Для обеспечения БЕЗОПАСНОСТИ и НАДЕЖНОСТИ оборудования, ремонт, любое другое техобслуживание или регулировку необходимо производить в уполномоченных сервис-центрах Makita, с использованием только сменных частей производства Makita.

ДОПОЛНИТЕЛЬНЫЕ АКСЕССУАРЫ

ПРЕДУПРЕЖДЕНИ:

- Эти принадлежности или насадки рекомендуется использовать вместе с Вашим инструментом Makita, описанным в данном руководстве. Использование каких-либо других принадлежностей или насадок может представлять опасность получения травм. Используйте принадлежность или насадку только по указанному назначению.

Если Вам необходимо содействие в получении дополнительной информации по этим принадлежностям, свяжитесь со своим местным сервис-центром Makita.

- Сверла
- Отверточные биты
- Различные типы оригинальных аккумуляторов и зарядных устройств Makita
- Пластмассовый чемодан для переноски

Примечание:

Некоторые элементы списка могут водить в комплект инструмента в качестве стандартных приспособлений. Они могут отличаться в зависимости от страны.

Makita Corporation
Anjo, Aichi, Japan

885012-987

www.makita.com