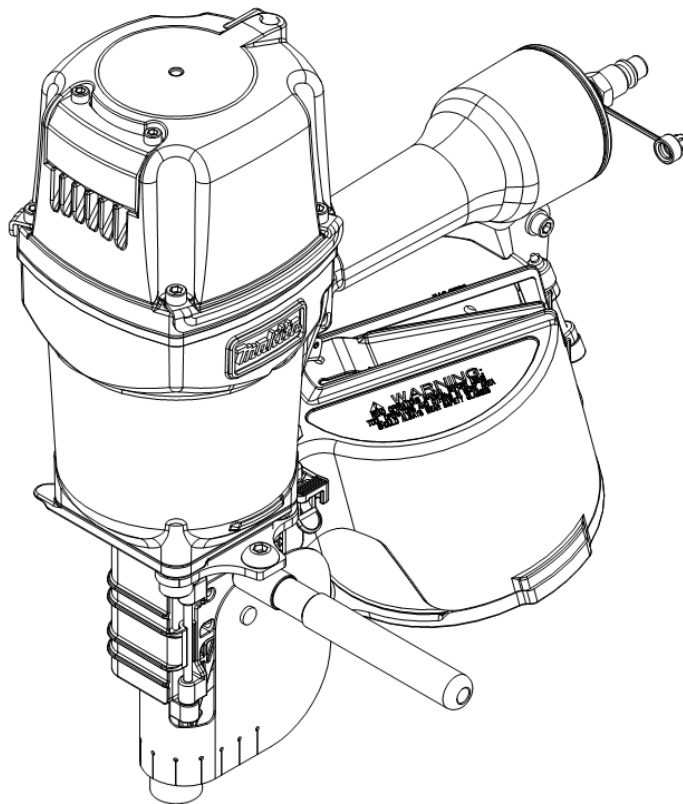


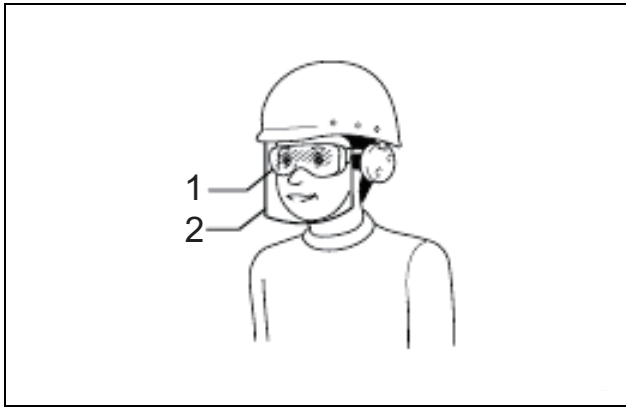


GB	Pneumatic Pallet Coil Nailer	Instruction Manual
F	Cloueur Pneumatique Pour Palettes	Manuel d'instructions
D	Druckluft Coil Nagler	Betriebsanleitung
I	Chiodatrice a bobina pneumatica	Istruzioni per l'uso
E	Clavadora Neumática para Pallets	Manual de instrucciones
PL	Pneumatyczna gwoździarka do palet	Instrukcja obsługi
EE	Pneumaatileine naelapüstol	Kasutusjuhend

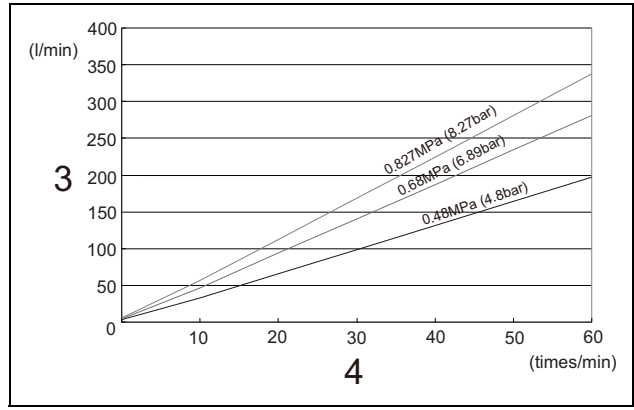
AN960

AN961

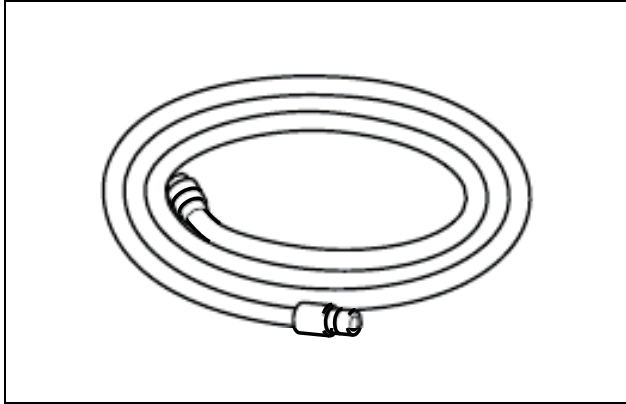




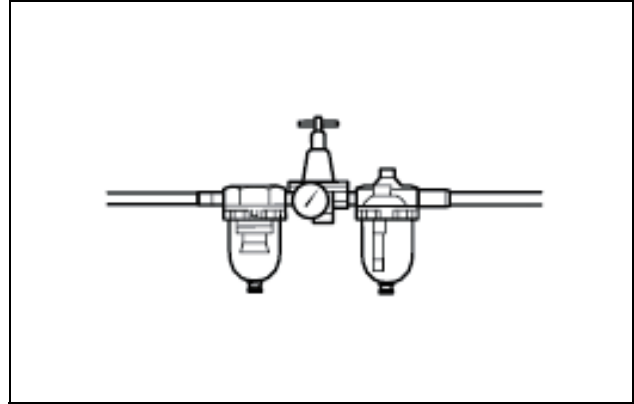
1



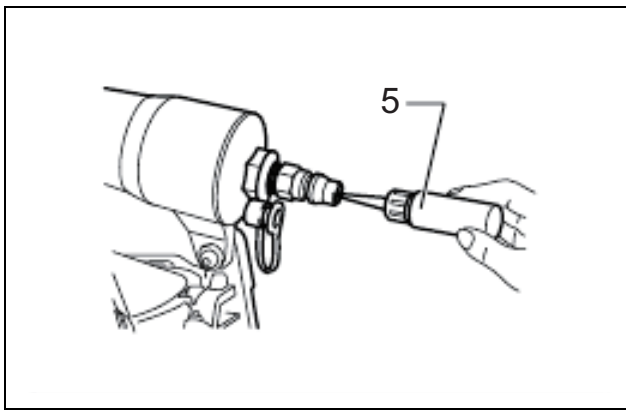
2



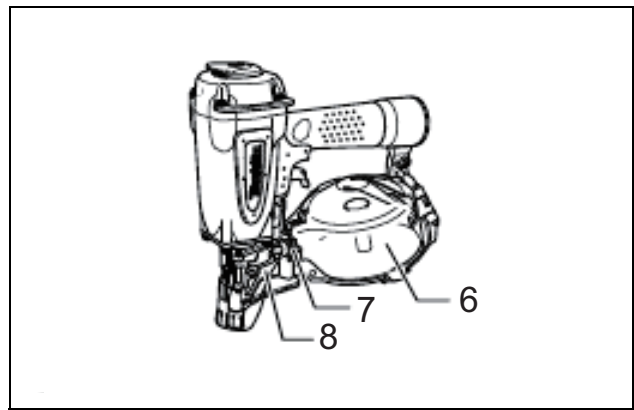
3



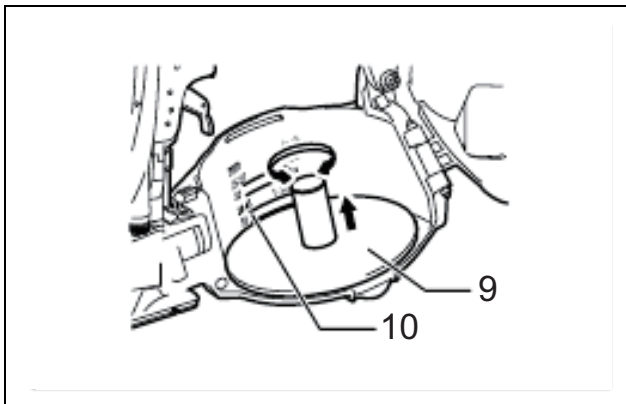
4



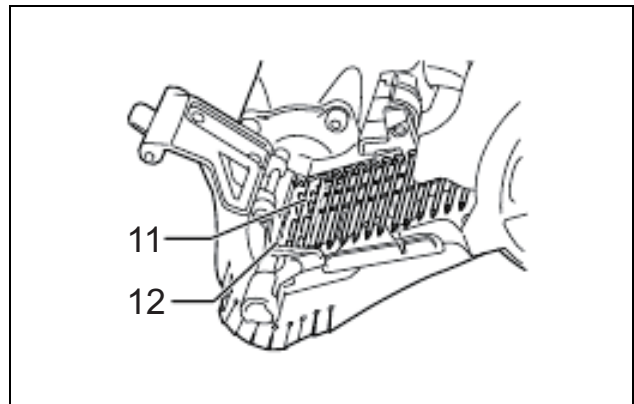
5



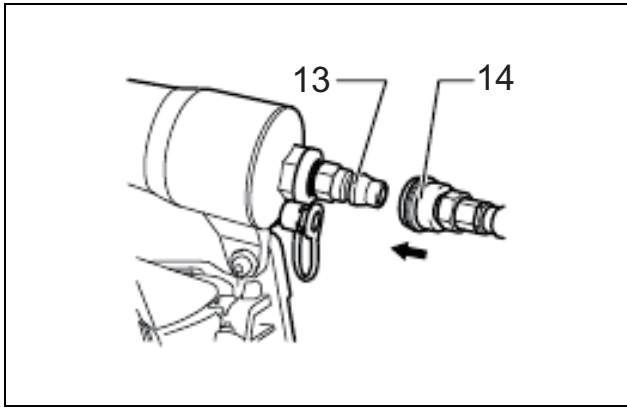
6



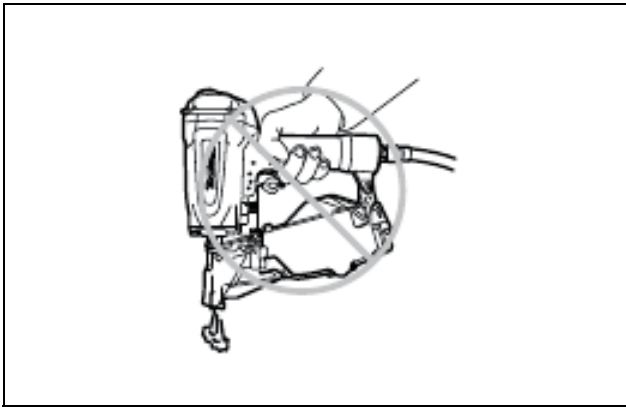
7



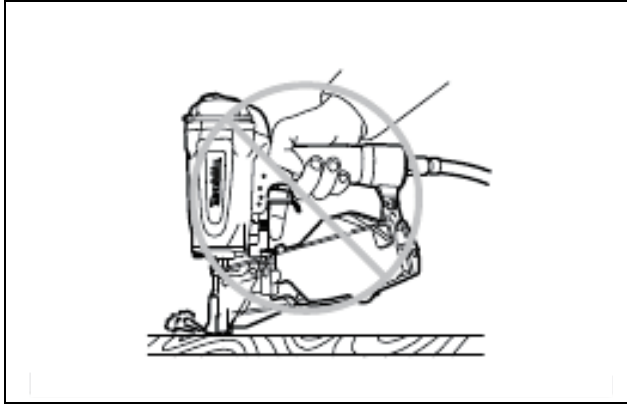
8



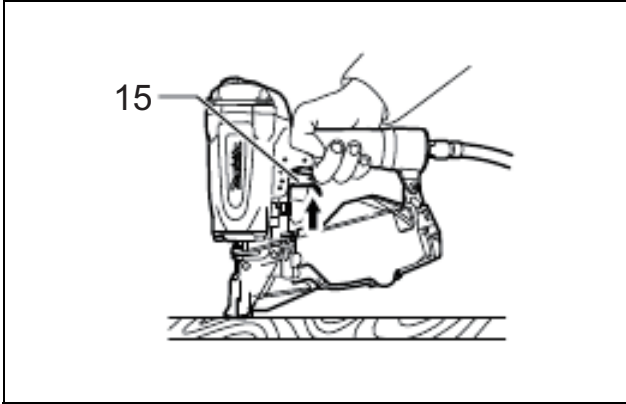
9



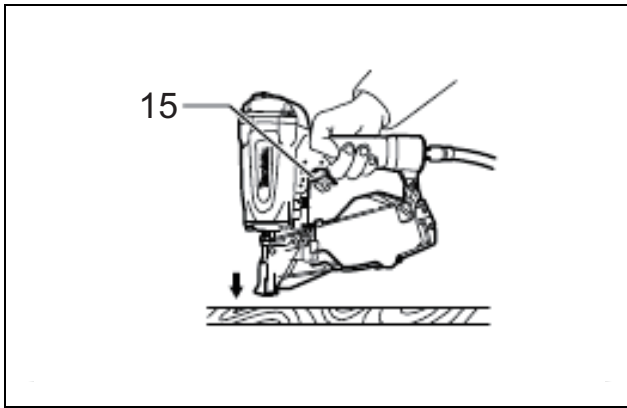
10



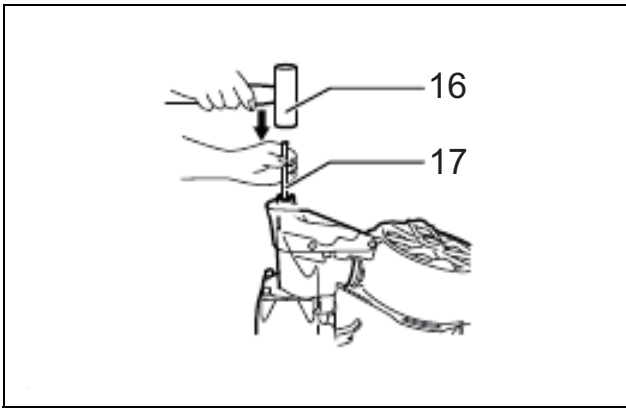
11



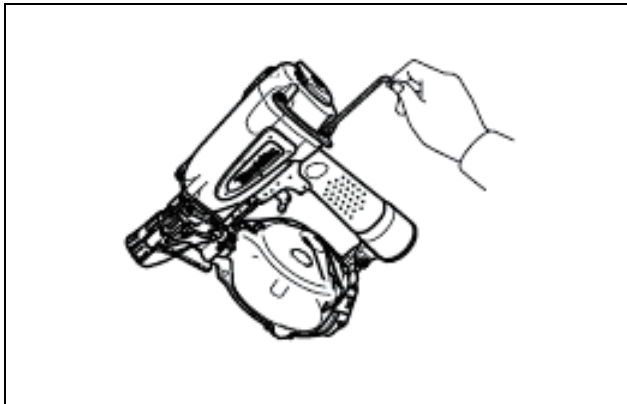
12



13



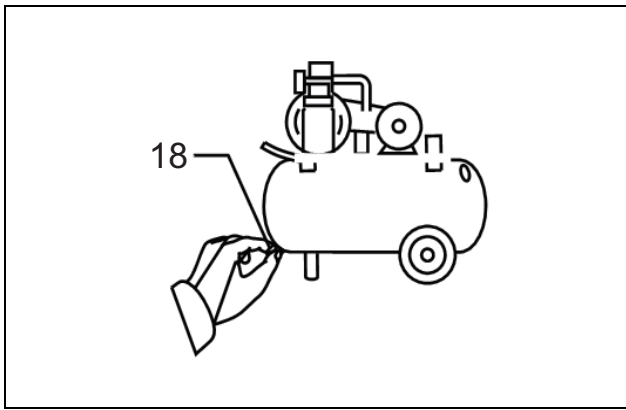
14



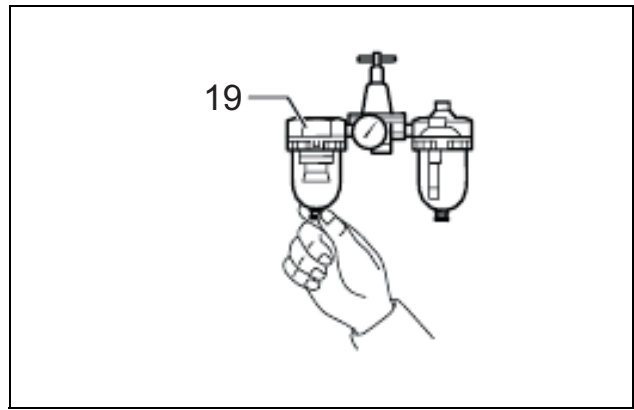
15



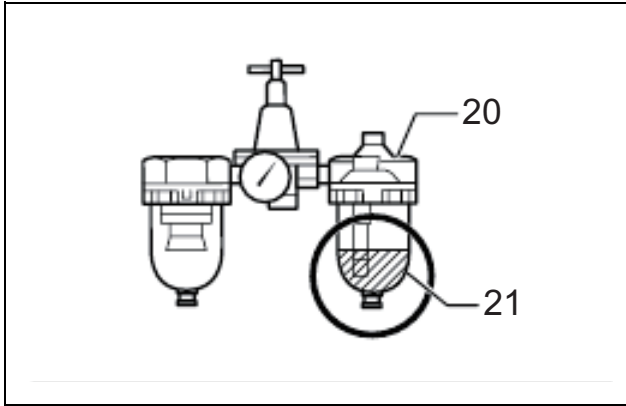
16



17



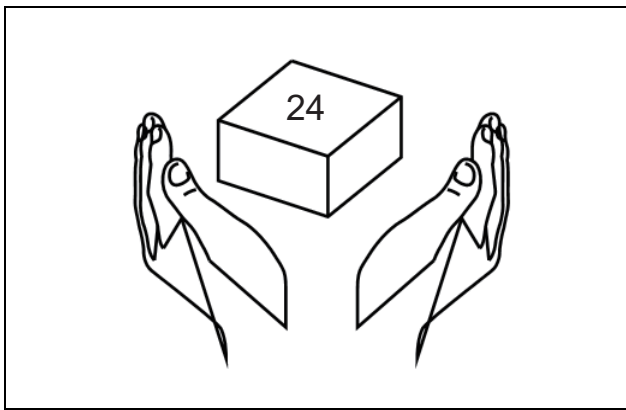
18



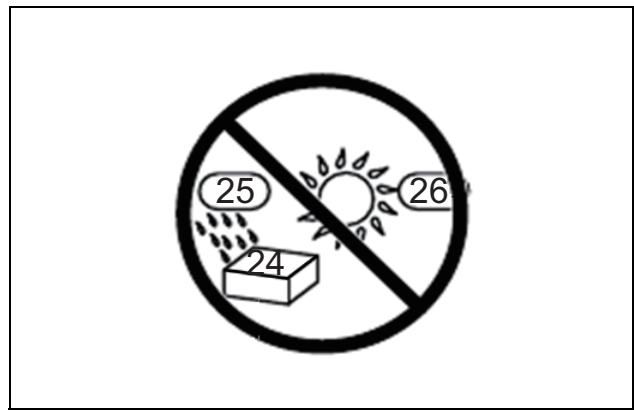
19



20



21



22

Explanation of general view

1 Safety glasses	9 Coil support plate	18 Drain cock
2 Face shield	10 Graduation	19 Air filter
3 Compressor air output per minute	11 Feed claw	20 Oiler
4 Nailing frequency	12 Driver channel	21 Pneumatic oil
5 Pneumatic tool oil	13 Air fitting	22 Thinner
6 Magazine cap	14 Air socket	23 Stove
7 Latch lever	15 Trigger	24 Nail
8 Door	16 Hammer	25 Humid
	17 Small rod	26 Hot

SPECIFICATIONS

Model	AN960	AN961
Air pressure	0.49 – 0.83 MPa (4.9 – 8.3 bar)	0.49 – 0.83 MPa (4.9 – 8.3 bar)
Applicable nail	Wire welded nails 57 mm – 100 mm	Wire welded nails 55 mm – 100 mm
Nail capacity	225 – 300 pcs.	225 – 300 pcs.
Dimensions (L × H × W)	338 mm × 153 mm × 418 mm	338 mm × 153 mm × 418 mm
Min. hose diameter	8.0 mm	8.0 mm
Pneumatic oil	Turbine oil	Turbine oil
Net weight	5.1 kg	5.3 kg

- Due to our continuing program of research and development, the specifications herein are subject to change without notice.
- Specifications may differ from country to country.
- Weight according to EPTA-Procedure 01/2003

Symbols

The followings show the symbols used for the equipment. Be sure that you understand their meaning before use.



- Read instruction manual.



- Wear safety glasses.



- Do not use on scaffoldings, ladders.

Intended use

The tool is intended for the making pallets and wooden boxes.

Pneumatic nailer/stapler safety warnings

⚠ WARNING Read all safety warnings and all instructions. Failure to follow the warnings and instructions may result serious injury, electric shock and/ or fire.

Save all warnings and instructions for future reference.

For personal safety and proper operation and maintenance of the tool, read this instruction manual before using the tool.

General safety

- Do not permit those uninstructed to use the tool.
- No horseplay. Respect the tool as a working implement.

- Do not operate when under the influence of alcohol, drugs or the like.
- Never alter the tool.

Personal protective equipments

- Always wear safety glasses to protect your eyes from dust or fastener injury.

⚠ WARNING: It is an employer’s responsibility to enforce the use of safety eye protection equipment by the tool operators and by other persons in the immediate working area.

For Australia and New Zealand only

Always wear safety glasses and face shield to protect your eyes from dust or fastener injury. The safety glasses and the face shield should conform with the requirements of AS/NZS 1336. **(Fig. 1)**

- Wear hearing protection to protect your ears against exhaust noise and head protection. Also wear light but not loose clothing. Sleeves should be buttoned or rolled up. No necktie should be worn.

Work area safety

- Keep work area clean and well lit. Cluttered or dark areas invite accidents.
- Do not operate the tool in explosive atmospheres, such as in the presence of flammable liquids, gases or dust. Operating the tool can create sparks which may ignite the dust or fumes.
- Keep children and bystanders away while operating the tool. Distractions can cause you to lose control.
- Illuminate the work area sufficiently.
- There may be local regulations concerning noise which must be complied with by keeping noise levels within prescribed limits. In certain cases, shutters should be used to contain noise.

Safety devices

- Make sure all safety systems are in working order before operation. The tool must not operate if only the trigger is pulled or if only the contact arm is pressed against the wood. It must work only when both actions are performed. Test for possible faulty operation with fasteners unloaded and the pusher in fully pulled position.
- Do not play with the contact element: it prevents accidental discharge, so it must be kept on and not removed. Securing the trigger in the ON position is also very dangerous. Never attempt to fasten the trigger. Do not operate a tool if any portion of the tool operating controls is inoperable, disconnected, altered, or not working properly.
- Do not attempt to keep the contact element depressed with tape or wire. Death or serious injury may occur.
- Always check contact element as instructed in this manual. Fasteners may be driven accidentally if the safety mechanism is not working correctly.

Loading fasteners

- Do not load the tool with fasteners when any one of the operating controls is activated.
- Use only fasteners specified in this manual. The use of any other fasteners may cause malfunction of the tool.

Power source

- Never connect the tool to compressed air line where the air pressure can exceed the suitable air pressure range of the tool, specified in the "SPECIFICATIONS" table, by 10%. Make sure that the pressure supplied by the compressed air system does not exceed the suitable air pressure range of the tool. Set the air pressure initially to the lower value of the suitable air pressure range.
- Operate the tool at the lowest pressure required for the application, in order to prevent unnecessarily high noise levels, increased wear and resulting failures.
- Never use the tool with other than compressed air. If bottled gas (carbon dioxide, oxygen, nitrogen, hydrogen, air, etc.) or combustible gas (hydrogen, propane, acetylene, etc.) is used as a power source for this tool, the tool will explode and cause serious injury.
- Always disconnect the air hose and remove all of the fasteners:
 - when unattended;
 - before performing any maintenance or repair;
 - before cleaning a jam;
 - before moving the tool to a new location.
- Use only pneumatic tool oil specified in this manual.

Operational safety

- Always check the tool for its overall condition and loose screws before operation. Tighten as required.
- Handle the tool carefully, as there is high pressure inside the tool that can be dangerous if a crack is caused by rough handling (dropping or striking). Do not attempt to carve or engrave on the tool.
- Stop the operation immediately if you notice something wrong or out of the ordinary with the tool. An improperly functioning tool must not be used.
- Do not point the ejection port at anyone in the vicinity. Keep hands and feet away from the ejection port area.
- Always assume that the tool contains fasteners.
- Never point the tool toward yourself or anyone whether it contains fasteners or not.
- Do not rush the job or force the tool. Handle the tool carefully.

- Do not activate the tool unless the tool is placed firmly against the workpiece.
- Never hold or carry the tool with a finger on the trigger or hand it to someone in this condition. Accidental firing can cause serious injury.
- Never use fastener driving tools marked with the symbol "Do not use on scaffoldings, ladders" for specific application for example:
 - when changing one driving location to another involves the use of scaffoldings, stairs, ladders, or ladder alike constructions, e.g. roof laths;
 - closing boxes or crates;
 - fitting transportation safety systems e.g. on vehicles and wagons.
- Check walls, ceilings, floors, roofing and the like carefully to avoid possible electrical shock, gas leakage, explosions, etc. caused by striking live wires, conduits or gas pipes.
- Do not use the tool for fastening electrical cables. It is not designed for electric cable installation and may damage the insulation of electric cables thereby causing electric shock or fire hazards.
- Watch your footing and maintain your balance with the tool. Make sure there is no one below when working in high locations, and secure the air hose to prevent danger if there is sudden jerking or catching.
- On rooftops and other high locations, drive fasteners as you move forward. It is easy to lose your footing if you drive fasteners while inching backward. When driving fasteners against perpendicular surface, work from the top to the bottom. You can perform driving operations with less fatigue by doing so.
- A fastener will be bent or the tool can become jammed if you mistakenly drive fastener on top of another fastener or strike a knot in the wood. The fastener may be thrown and hit someone, or the tool itself can react dangerously. Place the fasteners with care.
- Do not leave the loaded tool or the air compressor under pressure for a long time out in the sun. Be sure that dust, sand, chips and foreign matter will not enter the tool in the place where you leave it setting.
- Never attempt to drive fasteners from both the inside and outside at the same time. Fasteners may rip through and/or fly off, presenting a grave danger.

Service

- Perform cleaning and maintenance right after finishing the job. Keep the tool in tip-top condition. Lubricate moving parts to prevent rusting and minimize frictionrelated wear. Wipe off all dust from the parts.
- Ask Makita authorized service center for periodical inspection of the tool.
- To maintain product SAFETY and RELIABILITY, maintenance and repairs should be performed by Makita Authorized Service Centers, always using Makita replacement parts.

SAVE THESE INSTRUCTIONS.

WARNING:

DO NOT let comfort or familiarity with product (gained from repeated use) replace strict adherence to safety rules for the subject product. MISUSE or failure to follow the safety rules stated in this instruction manual may cause serious personal injury.

INSTALLATION

Selecting compressor (Fig. 2)

The air compressor must comply with the requirements of EN60335-2-34.

Select a compressor that has ample pressure and air output to assure cost-efficient operation. The graph shows the relation between nailing frequency, applicable pressure and compressor air output.

Thus, for example, if nailing takes place at a rate of approximately 60 times per minute at a compression of 0.68 MPa (6.89 bar), a compressor with an air output over 281 L/minute is required.

Pressure regulators must be used to limit air pressure to the rated pressure of the tool where air supply pressure exceeds the tool's rated pressure. Failure to do so may result in serious injury to tool operator or persons in the vicinity.

Selecting air hose (Fig. 3)

Use an air hose as large and as short as possible to assure continuous, efficient nailing operation. With an air pressure of 0.49 MPa (4.9 bar), an air hose with an internal diameter of over 8.0 mm and a length of less than 20 m is recommended when the interval between each nailing is 1 second. Air supply hoses shall have a minimum working pressure rating of 1.03 MPa (10.3 bar) or 150 percent of the maximum pressure produced in the system whichever is higher.

⚠ CAUTION:

- Low air output of the compressor, or a long or smaller diameter air hose in relation to the nailing frequency may cause a decrease in the driving capability of the tool.

Lubrication (Fig. 4)

To insure maximum performance, install an air set (oiler, regulator, air filter) as close as possible to the tool. Adjust the oiler so that one drop of oil will be provided for every 50 nails.

When an air set is not used, oil the tool with pneumatic tool oil by placing 2 (two) or 3 (three) drops into the air fitting. This should be done before and after use. For proper lubrication, the tool must be fired a couple of times after pneumatic tool oil is introduced. (Fig. 5)

ASSEMBLY

Loading nailer

⚠ CAUTION:

- Always disconnect the hose before loading the nailer. Depress the latch lever and open the door. And then open the magazine cap. (Fig. 6)

Lift and turn the coil support plate so that the coil support plate points the graduation of the nail length that you are going to install. (Fig. 7)

Notice:

An improperly positioned coil support plate may cause poor nail feed or malfunction of the tool. (Fig. 8)

Place the nail coil over the coil support plate. Uncoil nails enough to reach the feed claw. Place the first nail in the driver channel and the second nail in the feed claw. Place other uncoiled nails on feeder body. Make sure that the nail coil is set properly in the magazine and close the magazine cap.

Connecting air hose (Fig. 9)

Slip the air socket of the air hose onto the air fitting on the nailer. Be sure that the air socket locks firmly into position when installed onto the air fitting. A hose coupling must be installed on or near the tool in such a way that the pressure reservoir will discharge at the time the air supply coupling is disconnected.

OPERATION

⚠ CAUTION:

- WITH THE TRIGGER HELD IN A HALF-PULLED POSITION, an unexpected nailing could occur, if contact element is allowed to re-contact against the workpiece or the other surface under the influence of recoil. In order to avoid this unexpected nailing, perform as follows;
 - Do not place the contact element against the workpiece with excessive force.
 - Pull the trigger fully and hold it on for 1 – 2 seconds after nailing.
- Do not operate the tool without nails. It shortens the life of the tool.
- Make sure all safety systems are in working order before operation. (Fig. 10)
 - Only pulling trigger without contact element contacting workpiece must not bring about the tool firing. (Fig. 11)
 - Only contact element contacting workpiece without pulling trigger must not bring about the tool firing.

Driving nails (Fig. 12)

Place the contact element against the workpiece and pull the trigger, or pull the trigger first and then place the contact element against the workpiece. (Fig. 13)

The first method is for intermittent nailing, when you wish to drive a nail carefully and very accurately.

The second method is for continuous nailing.

Use of sequential trip trigger (accessory)

To drive a nail, you may place the contact element against the workpiece and pull the trigger.

⚠ CAUTION:

- WITH THE TRIGGER HELD IN A HALF-PULLED POSITION, an unexpected nailing could occur, if contact element is allowed to re-contact against the workpiece or the other surface under the influence of recoil. In order to avoid this unexpected nailing, perform as follows;
 - Do not place the contact element against the workpiece with excessive force.
 - Pull the trigger fully and hold it on for 1 – 2 seconds after nailing.

Jammed nailer

⚠ CAUTION:

- Always disconnect the air hose and remove the nails from the magazine before cleaning a jam. (Fig. 14)

When the nailer becomes jammed, do as follows:

Open the magazine cap and remove the nail coil. Insert a small rod or the like into the ejection port and tap it with a hammer to drive out the nail jamming from the ejection port. Reset the nail coil and close the magazine cap.

MAINTENANCE

CAUTION:

- Always disconnect the air hose from the tool before attempting to perform inspection or maintenance.
- Never use gasoline, benzine, thinner, alcohol or the like. Discoloration, deformation or cracks may result.

Maintenance of nailer (Fig. 15)

Always check the tool for its overall condition and loose screws before operation. Tighten as required.

With tool disconnected, make daily inspection to assure free movement of the contact element and trigger. Do not use tool if the contact element or trigger sticks or binds.

(Fig. 16)

When the tool is not to be used for an extended period of time, lubricate the tool using pneumatic tool oil and store the tool in a safe place. Avoid exposure to direct sunlight and/or humid or hot environment.

Maintenance of compressor, air set and air hose (Fig. 17 & 18)

After operation, always drain the compressor tank and the air filter. If moisture is allowed to enter the tool, it may result in poor performance and possible tool failure.

(Fig. 19)

Check regularly to see if there is sufficient pneumatic oil in the oiler of the air set. Failure to maintain sufficient lubrication will cause O-rings to wear quickly. (Fig. 20)

Keep the air hose away from heat (over 60°C, over 140°F), away from chemicals (thinner, strong acids or alkalis). Also, route the hose away from obstacles which it may become dangerously caught on during operation. Hoses must also be directed away from sharp edges and areas which may lead to damage or abrasion to the hose.

Handling nails (Fig. 21)

Handle nail coils and their box carefully. If the nail coils have been handled roughly, they may be out of shape or their connector breaks, causing poor nail feed. (Fig. 22) Avoid storing nails in a very humid or hot place or place exposed to direct sunlight.

To maintain product SAFETY and RELIABILITY, repairs, any other maintenance or adjustment should be performed by Makita Authorized Service Centers, always using Makita replacement parts.

OPTIONAL ACCESSORIES

CAUTION:

- These accessories or attachments are recommended for use with your Makita tool specified in this manual. The use of any other accessories or attachments might present a risk of injury to persons. Only use accessory or attachment for its stated purpose.

If you need any assistance for more details regarding these accessories, ask your local Makita Service Center.

- Nails
- Air hoses

NOTE:

- Some items in the list may be included in the tool package as standard accessories. They may differ from country to country.

Noise

The typical A-weighted noise level determined according to EN792:

A-weighted sound pressure level at workstation (L_{pA}): AN960: 95.7 dB (A), AN961: 97.4 dB (A)
A-weighted sound power level (L_{WA}): AN960: 96.9 dB (A), AN961: 98.0 dB (A)
Uncertainty (K): 1.5 dB (A)

Wear ear protection

Vibration

The vibration total value determined according to EN792:

Vibration emission (a_h) : 5.35 m/s²
Uncertainty (K) : 2.14 m/s²

ENG904-2

ENG901-1

- The declared vibration emission value has been measured in accordance with the standard test method and may be used for comparing one tool with another.
- The declared vibration emission value may also be used in a preliminary assessment of exposure.

WARNING:

- The vibration emission during actual use of the power tool can differ from the declared emission value depending on the ways in which the tool is used.
- Be sure to identify safety measures to protect the operator that are based on an estimation of exposure in the actual conditions of use (taking account of all parts of the operating cycle such as the times when the tool is switched off and when it is running idle in addition to the trigger time).

For European countries only

EC Declaration of Conformity

We Makita Corporation as the responsible manufacturer declare that the following Makita machine(s):

Designation of Machine:
Pneumatic Pallet Coil Nailer
Model No./Type: AN960, AN961
are of series production and

Conforms to the following European Directives:

2006/42/EC

And are manufactured in accordance with the following standards or standardised documents:

EN792

The technical documentation is kept by:

Makita International Europe Ltd.
Technical Department,
Michigan Drive, Tongwell,
Milton Keynes, Bucks MK15 8JD, England

29.11.2013



Tomoyasu Kato
Director

Makita Corporation
3-11-8, Sumiyoshi-cho,
Anjo, Aichi, 446-8502, JAPAN

Descriptif

1 Lunettes de protection	10 Graduation	19 Filtre à air
2 Masque de protection	11 Griffe d'alimentation	20 Réservoir d'huile
3 Sortie d'air par minute du compresseur	12 Gorge de dispositif d'alimentation	21 Huile pneumatique
4 Fréquence de clouage	13 Raccord à air	22 Diluant
5 Huile pour outil pneumatique	14 Douille à air	23 Cuisinière
6 Bouchon du magasin	15 Gâchette	24 Clou
7 Levier de fermeture	16 Marteau	25 Humide
8 Porte	17 Petite tige	26 Chaud
9 Plaque de soutien de la bobine	18 Robinet de vidange	

SPÉCIFICATIONS

Modèle	AN960	AN961
Pression de l'air	0,49 – 0,83 MPa (4,9 – 8,3 bar)	0,49 – 0,83 MPa (4,9 – 8,3 bar)
Clous utilisables	Clous soudés par fil 57 mm – 100 mm	Clous soudés par fil 55 mm – 100 mm
Capacité en clous	225 – 300 pièces	225 – 300 pièces
Dimensions (L × H × P)	338 mm × 153 mm × 418 mm	338 mm × 153 mm × 418 mm
Diamètre min. du tuyau	8,0 mm	8,0 mm
Huile pneumatique	Huile pour turbine	Huile pour turbine
Poids net	5,1 kg	5,3 kg

- Étant donné l'évolution constante de notre programme de recherche et développement, les spécifications contenues dans ce manuel sont sujettes à modification sans préavis.
- Les spécifications peuvent varier suivant les pays.
- Poids selon la procédure EPTA 01/2003

Symboles

Vous trouverez ci-dessous les symboles utilisés pour l'appareil. Veuillez à comprendre leur signification avant toute utilisation.



- Lire le manuel d'instructions.



- Porter des lunettes de protection.



- Ne pas utiliser dans un échafaudage ou sur une échelle.

Utilisation prévue

L'outil est conçu pour la fabrication de palettes et de boîtes en bois.

Consignes de sécurité générales pour cloueuse/agrafeuse pneumatique

⚠ AVERTISSEMENT Veuillez lire toutes les mises en garde et toutes les instructions. Il y a risque de blessure grave, de choc électrique et/ou d'incendie si les mises en garde et les instructions ne sont pas respectées.

Conservez toutes les mises en garde et instructions pour référence ultérieure.

Par mesure de sécurité personnelle et pour assurer une utilisation et un entretien adéquats, veuillez lire ce manuel d'instructions avant d'utiliser l'outil.

Consignes de sécurité générale

- Seules les personnes ayant pris connaissance du fonctionnement de l'outil doivent être autorisées à l'utiliser.
- Évitez tout chahut. Respectez votre outil en tant qu'instrument de travail.
- N'utilisez pas l'outil si vous avez consommé de l'alcool, des médicaments, etc.
- Ne modifiez jamais l'outil.

Équipements de protection individuels

- Portez toujours des lunettes de protection pour protéger vos yeux contre toute blessure au contact de la poussière ou d'un clou.

⚠ AVERTISSEMENT : L'employeur a la responsabilité d'imposer le port d'un dispositif de protection des yeux aux utilisateurs des outils et à toute personne présente dans l'aire de travail.

Pour l'Australie et la Nouvelle-Zélande uniquement

Portez toujours des lunettes de protection et un masque de protection pour protéger vos yeux contre toute blessure au contact de la poussière ou d'un clou. Les lunettes de protection et le masque de protection doivent se conformer aux exigences de AS/NZS 1336.

(Fig. 1)

- Portez une protection d'oreilles pour les protéger contre le bruit et portez un casque de sécurité. Les vêtements portés doivent être légers et ne doivent pas être amples. Veuillez boutonner ou rouler vos manches. Ne portez pas de cravate.

Sécurité de l'aire de travail

- Maintenez l'aire de travail propre et bien éclairée. Les endroits encombrés ou sombres sont propices aux accidents.

- N'utilisez pas l'outil dans un environnement explosif, en présence de liquides, gaz ou poussières inflammables par exemple. Le fonctionnement de l'outil peut produire des étincelles qui peuvent enflammer la poussière ou les émanations.
- Tenez à distance enfants et passants pendant que vous opérez l'outil. Une distraction peut vous faire perdre le contrôle de l'outil.
- Éclairez suffisamment l'aire de travail.
- Il se peut que des réglementations locales s'appliquent concernant les niveaux de bruit permis. Veuillez les respecter. Dans certains cas, des volets doivent être installés pour réduire le bruit.

Dispositifs de sécurité

- Assurez-vous que tous les dispositifs de sécurité sont en état de fonctionner avant d'utiliser l'outil. En principe, cet outil ne fonctionne pas si vous appuyez seulement sur la gâchette ou si vous appuyez simplement le bras de contact contre le bois. Il ne doit fonctionner que lorsque ces deux actions sont exécutées. Retirez les clous de l'outil et tirez le poussoir à fond pour vérifier l'absence de tout vice de fonctionnement.
- Ne modifiez pas l'élément de contact : il permet de prévenir toute décharge accidentelle et doit donc être laissé en place. Il est également très dangereux de fixer la gâchette en position de marche. Il ne faut jamais essayer d'immobiliser la gâchette. N'utilisez jamais un outil dont une des commandes est inutilisable, déconnectée, modifiée ou ne fonctionne pas correctement.
- N'essayez pas de maintenir en position enfoncée l'élément de contact avec un bout de ruban ou de fil. Il y a risque de décès ou de blessure grave.
- Vérifiez toujours l'élément de contact, tel qu'indiqué dans ce manuel. Des clous risquent d'être projetés par accident si le mécanisme de sécurité ne fonctionne pas correctement.

Chargement des clous

- Ne chargez pas l'outil avec des clous si l'une des commandes est activée.
- N'utilisez que les clous spécifiés dans ce manuel. L'utilisation d'autres clous peut entraîner un dysfonctionnement de l'outil.

Source d'alimentation

- Ne jamais raccordez l'outil à un conduit d'air comprimé dont la pression maximale permise, spécifiée dans les "SPÉCIFICATIONS", peut dépasser de 10 % celle de l'outil. Assurez-vous que la pression fournie par le système d'air comprimé ne dépasse pas la pression maximale permise de l'outil. Réglez d'abord la pression d'air sur la plus petite valeur de pression recommandée.
- Utilisez l'outil à la pression la plus basse nécessaire pour l'application, afin de limiter les niveaux de bruit, une usure excessive et des défaillances.
- Cet outil doit être utilisé exclusivement avec de l'air comprimé. L'utilisation d'une bouteille de gaz (dioxyde de carbone, oxygène, nitrogène, hydrogène, air, etc.) ou de gaz combustible (hydrogène, propane, acétylène, etc.) comme source de pression de cet outil entraînera une explosion et risque de causer de graves blessures.

- Déconnectez toujours le tuyau d'air et retirez tous les clous dans les cas suivants :
 - lorsque l'outil est laissé sans surveillance ;
 - avant d'effectuer tout travail d'entretien ou de réparation sur l'outil ;
 - avant de retirer des clous coincés ;
 - avant de déplacer l'outil vers un autre lieu.
- N'utilisez que l'huile pour outil pneumatique spécifiée dans ce manuel.

Sécurité de fonctionnement

- Avant d'utiliser l'outil, assurez-vous qu'il est en bon état et qu'aucune de ses vis n'est desserrée. Le cas échéant, serrez les vis.
- Manipulez l'outil prudemment. La pression élevée à l'intérieur de l'outil représente un danger si une fissure est provoquée par une manipulation brusque (en le faisant tomber ou le heurtant). Ne tentez jamais de tailler ou graver une inscription sur l'outil.
- Cessez immédiatement d'utiliser l'outil si vous remarquez une anomalie ou une erreur avec l'outil. Un outil défectueux ne doit pas être utilisé.
- Ne pointez jamais la sortie d'éjection vers une personne se trouvant à proximité. Gardez les mains et les pieds à l'écart de la zone de la sortie d'éjection.
- Gardez toujours à l'esprit que l'outil contient des clous.
- L'outil ne doit jamais être pointé vers vous-même ou vers une autre personne, qu'il contienne ou non des clous.
- Ne hâtez pas la tâche ni ne forcez sur l'outil. Manipulez soigneusement l'outil.
- Ne mettez pas l'outil en marche avant qu'il ne soit fermement placé sur la pièce à travailler.
- L'outil ne doit jamais être saisi ou transporté en posant un doigt sur la gâchette. Il ne doit pas non plus être donné à quelqu'un dans cet état. Un déclenchement accidentel peut provoquer de graves blessures.
- Il ne faut jamais utiliser les outils de clouage qui portent l'indication "Ne pas utiliser dans un échafaudage ou sur une échelle" pour des applications particulières, telles que par exemple :
 - lorsque, pour changer d'emplacement de clouage, il faut utiliser un échafaudage, un escalier, une échelle ou une structure similaire, par exemple lorsque vous clouez des lattes de toit ;
 - pour fermer des boîtes ou caisses ;
 - pour installer des dispositifs de sécurité, par exemple, sur un véhicule ou un wagon.
- Pour éviter tout risque de choc électrique, de fuite de gaz, d'explosion, etc., provoqué par le contact avec des fils dénudés, des conduites ou des tuyaux de gaz, vérifiez le mur, le plafond, le plancher, le toit ou toute autre pièce où vous clouez.
- N'utilisez pas l'outil pour serrer les câbles électriques. Il n'est pas conçu pour l'installation d'un câble électrique et peut endommager l'isolement des câbles électriques, provoquant par là un choc électrique ou un risque d'incendie.
- Regardez où vous posez les pieds et assurez-vous d'un bon équilibre pendant l'utilisation de l'outil. Assurez-vous qu'il n'y a personne sous vous lorsque vous travaillez dans un endroit élevé, et fixez le tuyau d'air de sorte qu'il ne risque pas de se détacher s'il est brusquement secoué ou s'il se coince.

- Sur les toits et autres endroits élevés, clouez en vous déplaçant vers l'avant. Vous risquez de perdre pied si vous clouez en vous déplaçant à reculons. Lorsque vous clouez sur une surface verticale, faites-le du haut vers le bas. De cette façon, le travail de clouage sera moins exigeant physiquement.
- Le clou risque de se plier ou l'outil de se bloquer si vous clouez par inadvertance dans un nœud ou sur un autre clou. Le clou risque alors d'être projeté et de frapper quelqu'un, ou bien l'outil lui-même risque de réagir de manière dangereuse. Choisissez l'emplacement des clous avec soin.
- N'abandonnez pas pendant une période prolongée un outil chargé ou un compresseur d'air sous pression exposé au soleil à l'extérieur. Assurez-vous de toujours déposer l'outil dans un endroit où la poussière, le sable, les copeaux et les corps étrangers ne risquent pas d'y pénétrer.
- N'essayez jamais de clouer une pièce en même temps des côtés intérieur et extérieur. Cela est très dangereux, puisque les clous risquent alors de défoncer la pièce et/ou d'être projetés.

Service

- Procédez au nettoyage et à l'entretien de l'outil dès votre travail terminé. Maintenez l'outil en excellente condition. Lubrifiez les pièces mobiles pour éviter qu'elles ne rouillent et pour limiter l'usure entraînée par la friction. Retirez toute poussière déposée sur les pièces.
- Confiez régulièrement l'outil à un centre de service après-vente agréé Makita pour une inspection.
- Pour maintenir la SÉCURITÉ et la FIABILITÉ du produit, son entretien et sa réparation doivent être effectués dans un centre de service après-vente agréé Makita, exclusivement avec des pièces de rechange Makita.

CONSERVEZ CES INSTRUCTIONS.

AVERTISSEMENT :

NE vous laissez PAS tromper (au fil d'une utilisation répétée) par un sentiment d'aisance et de familiarité avec le produit, en négligeant le respect rigoureux des consignes de sécurité qui accompagnent le produit en question. Une UTILISATION INCORRECTE ou un non-respect des consignes de sécurité indiquées dans ce manuel d'instruction peut causer des blessures personnelles graves.

INSTALLATION

Sélection du compresseur (Fig. 2)

Le compresseur d'air doit répondre aux exigences de la norme EN60335-2-34.

Choisissez un compresseur dont la capacité de pressurisation et de sortie d'air assurera un bon rapport qualité/coût. Le graphique indique la relation entre la fréquence de clouage, la pression applicable et la sortie d'air du compresseur.

Ainsi, par exemple, un clouage à raison d'environ 60 clous par minute avec une pression de 0,68 MPa (6,89 bar) nécessite une sortie d'air supérieure à 281 litres/min.

Un régulateur de pression doit être utilisé si la pression d'air fournie dépasse la capacité nominale de l'outil. Autrement, l'utilisateur et les personnes présentes courent un risque de blessure grave.

Sélection du tuyau d'air (Fig. 3)

Le tuyau d'air utilisé doit être le plus gros et le plus court possible, pour assurer un travail de clouage continu et efficace. Avec une pression d'air de 0,49 MPa (4,9 bar), nous recommandons un tuyau d'air d'un diamètre interne supérieur à 8,0 mm et d'une longueur inférieure à 20 m pour un intervalle de 1 seconde entre chaque clou. Les tuyaux d'alimentation en air doivent avoir une capacité nominale de pression de travail minimum de 1,03 MPa (10,3 bar) ou de 150 pour cent par rapport à la pression maximale produite dans le système, la plus élevée de ces valeurs s'appliquant.

ATTENTION :

- La capacité d'entraînement de l'outil risque de diminuer si la sortie d'air du compresseur est faible ou si le tuyau d'air est trop long ou d'un diamètre trop petit pour la fréquence de clouage.

Lubrification (Fig. 4)

Pour assurer une performance maximale, installez une chambre à air (qui contient le réservoir d'huile, le régulateur et le filtre à air) le plus près possible de l'outil. Ajustez le réservoir d'huile de sorte qu'une goutte d'huile soit fournie tous les 50 clous.

Si vous n'utilisez pas de chambre à air, graissez l'outil en versant 2 (deux) ou 3 (trois) gouttes d'huile pour outil pneumatique dans le raccord à air. Cette opération doit être effectuée avant et après l'utilisation. Pour assurer une lubrification adéquate, il faut faire déclencher l'outil à quelques reprises après l'insertion de l'huile pour outil pneumatique. (Fig. 5)

ASSEMBLAGE

Chargement de la cloueuse

ATTENTION :

- Déconnectez toujours le tuyau avant de charger la cloueuse.

Enfoncez le levier de fermeture et ouvrez la porte. Ouvrez ensuite le bouchon du magasin. (Fig. 6)

Soulevez et tournez la plaque de soutien de la bobine, de sorte qu'elle soit tournée vers la graduation de la longueur du clou que vous vous apprêtez à installer. (Fig. 7)

Avis :

Si la plaque de soutien de la bobine de clous n'est pas placée sur la bonne position, l'alimentation en clous risque d'être mauvaise et l'outil risque de mal fonctionner. (Fig. 8)

Placez la bobine de clous sur la plaque de soutien. Débobinez suffisamment de clous pour atteindre la griffe d'alimentation. Placez le premier clou dans la gorge de dispositif d'alimentation, et le second dans la griffe d'alimentation. Placez les clous non embobinés sur le dispositif d'alimentation. Fermez le bouchon du magasin après vous être assuré que la bobine de clous est bien installée dans le magasin.

Raccordement du tuyau d'air (Fig. 9)

Glissez la douille à air du tuyau d'air dans le raccord à air de la cloueuse. Assurez-vous que la douille à air est verrouillée fermement en position lorsque vous l'installez sur le raccord à air. Un raccord à tuyau doit être installé sur ou près de l'outil de sorte que le réservoir de pression se vide au moment de la déconnexion du raccord d'adduction d'air.

FONCTIONNEMENT

⚠ ATTENTION :

- SI LA GÂCHETTE EST MAINTENUE ENFONCÉE À MI-COURSE, vous risquez de clouer par inadvertance si l'élément de contact touche à nouveau la pièce ou toute autre surface sous l'effet de recul. Pour éviter ce clouage accidentel, procédez comme suit :
 - N'appliquez pas une pression excessive en plaçant l'élément de contact contre la pièce.
 - Appuyez à fond sur la gâchette et maintenez-la dans cette position 1 à 2 secondes après le clouage.
- N'utilisez pas l'outil sans clous. Cela réduit la durée de vie de l'outil.
- Assurez-vous que tous les dispositifs de sécurité sont en état de fonctionner avant d'utiliser l'outil. **(Fig. 10)**
 - Le simple fait d'enclencher la gâchette sans que l'élément de contact ne touche la pièce à travailler ne doit pas déclencher l'outil. **(Fig. 11)**
 - Le simple fait que l'élément de contact touche la pièce à travailler sans enclencher la gâchette ne doit pas déclencher l'outil.

Clouage (Fig. 12)

Placez l'élément de contact contre la pièce et enclenchez la gâchette ou bien enclenchez d'abord la gâchette, puis placez l'élément de contact contre la pièce. **(Fig. 13)**

La première méthode convient bien au clouage intermittent, lorsque vous désirez enfoncer les clous soigneusement, avec une grande précision.

La deuxième méthode convient bien au clouage continu.

Utilisation de la gâchette de déclenchement à répétition (accessoire)

Pour clouer, vous pouvez placer l'élément de contact contre la pièce et enclencher la gâchette.

⚠ ATTENTION :

- SI LA GÂCHETTE EST MAINTENUE ENFONCÉE À MI-COURSE, vous risquez de clouer par inadvertance si l'élément de contact touche à nouveau la pièce ou toute autre surface sous l'effet de recul. Pour éviter ce clouage accidentel, procédez comme suit :
 - N'appliquez pas une pression excessive en plaçant l'élément de contact contre la pièce.
 - Appuyez à fond sur la gâchette et maintenez-la dans cette position 1 à 2 secondes après le clouage.

Cloueuse bloquée

⚠ ATTENTION :

- Avant de débloquer la cloueuse, vous devez déconnecter le tuyau d'air et retirer les clous du magasin. **(Fig. 14)**

Lorsque la cloueuse se bloque, procédez comme suit : Ouvrez le bouchon du magasin et retirez la bobine de clous. Insérez une petite tige ou un objet similaire dans la sortie d'éjection et frappez dessus légèrement avec un marteau pour retirer les clous coincés dans la sortie d'éjection. Remettez en place la bobine de clous et fermez le bouchon du magasin.

ENTRETIEN

⚠ ATTENTION :

- Déconnectez toujours le tuyau d'air de l'outil avant d'effectuer tout travail d'inspection ou d'entretien.
- N'utilisez pas d'essence, de benzène, de diluant, d'alcool ou produits similaires. Ils présentent un risque de décoloration, de déformation ou de fissuration.

Entretien de la cloueuse (Fig. 15)

Avant d'utiliser l'outil, assurez-vous qu'il est en bon état et qu'aucune de ses vis n'est desserrée. Le cas échéant, serrez les vis.

En débranchant l'outil, inspectez-le quotidiennement pour vous assurer que l'élément de contact et la gâchette se déplacent librement. N'utilisez pas l'outil si l'élément de contact ou la gâchette se bloque ou se coince. **(Fig. 16)**

Si vous prévoyez de ne pas utiliser l'outil pendant une période prolongée, graissez-le avec de l'huile pour outil pneumatique et rangez-le dans un endroit sûr. Évitez de l'exposer directement aux rayons du soleil et/ou de le laisser dans un environnement humide ou chaud.

Entretien du compresseur, de la chambre à air et du tuyau d'air (Fig. 17 et 18)

Après l'utilisation, videz toujours le réservoir du compresseur et le filtre à air. L'outil risque de mal fonctionner ou de tomber en panne si l'humidité y pénètre. **(Fig. 19)**

Vérifiez régulièrement la chambre à air pour vous assurer que le réservoir d'huile contient assez d'huile pneumatique. Les joints toriques s'useront rapidement s'ils ne sont pas toujours bien graissés. **(Fig. 20)**

Gardez le tuyau d'air à l'écart de la chaleur (plus de 60 °C) et des produits chimiques (diluant, acides puissants, substances alcalines). Il faut également acheminer le tuyau à l'écart des obstacles où il risquerait de se coincer pendant l'utilisation de l'outil. Les tuyaux doivent également être placés à l'écart des bords tranchants et de toute surface pouvant entraîner l'endommagement ou l'abrasion du tuyau.

Manipulation des clous (Fig. 21)

Manipulez avec soin les bobines de clous et les boîtes de clous. Si une bobine de clous est manipulée de manière brusque, elle risque d'être déformée ou de se détacher, causant une mauvaise alimentation en clous. **(Fig. 22)**

Évitez de ranger les clous dans un endroit très humide ou chaud, ou dans un endroit exposé directement aux rayons du soleil.

Pour maintenir la SÉCURITÉ et la FIABILITÉ du produit, les réparations, tout autre travail de maintenance ou de réglage doivent être effectués dans un centre de service après-vente Makita agréé, exclusivement avec des pièces de rechange Makita.

ACCESSOIRES EN OPTION

ATTENTION :

- Ces accessoires ou pièces complémentaires sont recommandés pour l'utilisation avec l'outil Makita spécifié dans ce manuel. L'utilisation de tout autre accessoire ou pièce complémentaire peut comporter un risque de blessure. N'utilisez les accessoires ou pièces complémentaires qu'aux fins pour lesquelles ils ont été conçus.

Si vous désirez obtenir plus de détails concernant ces accessoires, veuillez contacter votre centre de service après-vente Makita local.

- Clous
- Tuyaux d'air

REMARQUE :

- Il se peut que certains éléments de la liste soient compris dans l'emballage de l'outil en tant qu'accessoires standard. Ils peuvent varier d'un pays à l'autre.

Bruit

ENG905-1

Niveau de bruit pondéré A typique, déterminé selon EN792 :

Niveau de pression sonore pondéré A au poste de travail (L_{pA}) : AN960 : 95,7 dB (A), AN961 : 97,4 dB (A)

Niveau de puissance sonore pondéré A (L_{WA}) : AN960 : 96,9 dB (A), AN961 : 98,0 dB (A)

Incertitude (K) : 1,5 dB (A)

Porter des protecteurs anti-bruit

Vibration

ENG904-2

Valeur totale de vibrations déterminée selon EN792 :

Émission de vibrations (a_h) : 5,35 m/s²

Incertitude (K) : 2,14 m/s²

ENG901-1

- La valeur d'émission de vibrations déclarée a été mesurée conformément à la méthode d'essai standard et peut être utilisée pour comparer un outil à un autre.
- La valeur d'émission de vibrations déclarée peut aussi être utilisée pour l'évaluation préliminaire de l'exposition.

AVERTISSEMENT :

- L'émission de vibrations lors de l'usage réel de l'outil électrique peut être différente de la valeur d'émission déclarée, suivant la façon dont l'outil est utilisé.
- Les mesures de sécurité à prendre pour protéger l'utilisateur doivent être basées sur une estimation de l'exposition dans des conditions réelles d'utilisation (en tenant compte de toutes les composantes du cycle d'utilisation, comme le moment de sa mise hors tension, lorsqu'il tourne à vide et le moment de son déclenchement).

Pour les pays européens uniquement

Déclaration de conformité CE

Makita Corporation, en tant que fabricant responsable, déclare que la (les) machine(s) Makita suivante(s) :

Désignation de la machine :

Cloueur Pneumatique Pour Palettes

N° de modèle / Type : AN960, AN961

sont produites en série et

sont conformes aux Directives européennes suivantes :

2006/42/CE

et sont fabriquées conformément aux normes ou documents normalisés suivants :

EN792

La documentation technique est conservée par :

Makita International Europe Ltd.

Service technique,

Michigan Drive, Tongwell,

Milton Keynes, Bucks MK15 8JD, Angleterre

29.11.2013



Tomoyasu Kato

Directeur

Makita Corporation

3-11-8, Sumiyoshi-cho,

Anjo, Aichi, 446-8502, JAPAN

Übersicht

1 Schutzbrille	9 Magazinboden	18 Ablasshahn
2 Gesichtsschutz	10 Teilstrich	19 Luftfilter
3 Kompressor-Luftleistung pro Minute	11 Vorschubklaue	20 Öler
4 Nagelfrequenz	12 Treiberkanal	21 Druckluftöl
5 Druckluftwerkzeugöl	13 Anschlussnippel	22 Verdünner
6 Magazindeckel	14 Anschlussmuffe	23 Ofen
7 Rasthebel	15 Auslöser	24 Nagel
8 Klappe	16 Hammer	25 Feucht
	17 Kleine Stange	26 Heiß

TECHNISCHE DATEN

Modell	AN960	AN961
Luftdruck	0,49 – 0,83 MPa (4,9 – 8,3 bar)	0,49 – 0,83 MPa (4,9 – 8,3 bar)
Geeignete Nägel	Drahtgeschweißte Nägel 57 mm – 100 mm	Drahtgeschweißte Nägel 55 mm – 100 mm
Nagelkapazität	225 – 300 Stück	225 – 300 Stück
Abmessungen (L × H × B)	338 mm × 153 mm × 418 mm	338 mm × 153 mm × 418 mm
Min. Schlauchdurchmesser	8,0 mm	8,0 mm
Druckluftöl	Turbinenöl	Turbinenöl
Nettogewicht	5,1 kg	5,3 kg

- Aufgrund unseres Dauerprogramms der Forschung und Entwicklung unterliegen die hier angegebenen technischen Daten Änderung ohne Vorankündigung.
- Die technischen Daten können von Land zu Land unterschiedlich sein.
- Gewicht nach EPTA-Verfahren 01/2003

Symbole

Nachfolgend werden die für das Gerät verwendeten Symbole beschrieben. Machen Sie sich vor der Benutzung mit ihrer Bedeutung vertraut.



- Gebrauchsanleitung lesen.



- Schutzbrille tragen.



- Nicht auf Gerüsten und Leitern verwenden.

Verwendungszweck

Das Werkzeug ist für die Herstellung von Paletten und Holzkisten vorgesehen.

Sicherheitswarnungen für Druckluftnagler/-hefter

⚠️ WARNUNG Lesen Sie alle Sicherheitswarnungen und Anweisungen durch. Eine Missachtung der Warnungen und Anweisungen kann zu schweren Verletzungen, einem elektrischen Schlag und/oder Brand führen.

Bewahren Sie alle Warnungen und Anweisungen für spätere Bezugnahme auf.

Um Ihre persönliche Sicherheit und sachgerechten Betrieb und Wartung des Werkzeugs zu gewährleisten, sollten Sie diese Bedienungsanleitung vor der Benutzung des Werkzeugs durchlesen.

Allgemeine Sicherheit

- Ungeübten Personen ist die Benutzung des Werkzeugs zu untersagen.
- Kein Herumalbern. Respektieren Sie das Werkzeug als Arbeitsmittel.
- Benutzen Sie das Werkzeug nicht unter dem Einfluss von Alkohol, Drogen oder dergleichen.
- Das Werkzeug keinesfalls abändern.

Persönliche Schutzausrüstung

- Tragen Sie stets eine Schutzbrille, um Ihre Augen vor Staub oder Verletzungen durch Befestigungselemente zu schützen.

⚠️ WARNUNG: Der Arbeitgeber ist dafür verantwortlich, den Gebrauch von Schutzbrillen für die Werkzeugbenutzer und andere Personen im unmittelbaren Arbeitsbereich durchzusetzen.

Nur für Australien und Neuseeland

Tragen Sie stets eine Schutzbrille und einen Gesichtsschutz, um Ihre Augen vor Staub oder Verletzungen durch Befestigungselemente zu schützen. Schutzbrille und Gesichtsschutz müssen den Anforderungen von AS/NZS 1336 entsprechen. **(Abb. 1)**

- Tragen Sie einen Gehörschutz, um Ihre Ohren vor dem Auspuffgeräusch zu schützen und Kopfverletzungen zu verhüten. Tragen Sie auch leichte, aber keine lose Kleidung. Ärmel müssen zugeknöpft oder hochgerollt werden. Tragen Sie keine Krawatte.

Sicherheit im Arbeitsbereich

- Halten Sie den Arbeitsbereich sauber und gut beleuchtet. Unaufgeräumte oder dunkle Bereiche führen zu Unfällen.
- Betreiben Sie das Werkzeug nicht in explosiven Umgebungen, wie z. B. in Gegenwart von brennbaren Flüssigkeiten, Gasen oder Staub. Beim Betrieb des Werkzeugs können Funken entstehen, die den Staub oder die Dämpfe entzünden können.

- Halten Sie Kinder und Umstehende während der Benutzung des Werkzeugs fern. Ablenkungen können dazu führen, dass Sie die Kontrolle verlieren.
- Sorgen Sie für ausreichende Beleuchtung des Arbeitsbereichs.
- Befolgen Sie etwaige örtliche Lärmschutzvorschriften, indem Sie die Geräuschpegel innerhalb der vorgeschriebenen Grenzen halten. In bestimmten Fällen sollten Jalousien verwendet werden, um Lärm einzudämmen.

Sicherheitsvorrichtungen

- Vergewissern Sie sich vor der Benutzung, dass alle Sicherheitssysteme in gutem Betriebszustand sind. Das Werkzeug darf nicht auslösen, wenn nur der Auslöser gezogen oder nur der Kontaktarm gegen das Holz gedrückt wird. Es darf nur auslösen, wenn beide Aktionen durchgeführt werden. Überprüfen Sie das Werkzeug mit leerem Magazin und voll angezogenem Drücker auf möglichen fehlerhaften Betrieb.
- Spielen Sie nicht mit dem Kontaktelement: Es verhütet versehentliche Auslösung, weshalb er montiert bleiben muss und nicht entfernt werden darf. Die Arretierung des Auslösers in der Einschaltstellung ist ebenfalls sehr gefährlich. Versuchen Sie niemals, den Auslöser zu arretieren. Benutzen Sie das Werkzeug nicht, falls irgendein Bedienungselement des Werkzeugs funktionsunfähig, abgetrennt, abgeändert oder mangelhaft ist.
- Versuchen Sie nicht, das Kontaktelement mit Klebeband oder Draht gedrückt zu halten. Es kann sonst zu tödlichen oder schweren Verletzungen kommen.
- Überprüfen Sie das Kontaktelement gemäß der Anweisung in dieser Anleitung. Falls der Sicherheitsmechanismus nicht korrekt funktioniert, können Befestigungselemente versehentlich abgeschossen werden.

Laden von Befestigungselementen

- Beladen Sie das Werkzeug nicht mit Befestigungselementen, wenn eines der Bedienungselemente aktiviert ist.
- Verwenden Sie nur die in dieser Anleitung angegebenen Befestigungselemente. Die Verwendung anderer Befestigungselemente kann eine Funktionsstörung des Werkzeugs verursachen.

Energiequelle

- Schließen Sie das Werkzeug niemals an eine Druckluftleitung an, deren Luftdruck den in der Tabelle "TECHNISCHE DATEN" angegebenen empfohlenen Luftdruckbereich des Werkzeugs um 10 % überschreitet. Vergewissern Sie sich, dass der vom Druckluftsystem gelieferte Luftdruck nicht den geeigneten Luftdruckbereich des Werkzeugs überschreitet. Stellen Sie den Luftdruck anfänglich auf den niedrigeren Wert des geeigneten Luftdruckbereichs ein.
- Betreiben Sie das Werkzeug mit dem für die Anwendung erforderlichen niedrigsten Luftdruck, um unnötig hohe Lärmpegel, erhöhten Verschleiß und daraus resultierende Ausfälle zu verhüten.
- Betreiben Sie das Werkzeug nur mit Druckluft. Falls Flaschengas (Kohlendioxid, Sauerstoff, Stickstoff, Wasserstoff, Pressluft usw.) oder brennbares Gas (Wasserstoff, Propan, Acetylen usw.) als Treibgas für dieses Werkzeug verwendet wird, besteht die Gefahr, dass das Werkzeug explodiert und schwere Verletzungen verursacht.

- Trennen Sie stets den Luftschlauch ab, und entfernen Sie alle Befestigungselemente:
 - wenn das Werkzeug unbeaufsichtigt ist.
 - bevor Sie Wartungs- oder Reparaturarbeiten durchführen.
 - bevor Sie einen Nagelstau beseitigen.
 - bevor Sie das Werkzeug zu einem anderen Ort transportieren.
- Verwenden Sie nur das in dieser Anleitung angegebene Druckluftwerkzeugöl.

Betriebssicherheit

- Überprüfen Sie das Werkzeug vor der Benutzung stets auf seinen Allgemeinzustand und lockere Schrauben. Erforderlichenfalls anziehen.
- Behandeln Sie das Werkzeug sorgfältig, da es unter hohem Druck steht, der gefährlich sein kann, falls ein Riss durch grobe Behandlung (Fallenlassen oder Anstoßen) verursacht wird. Versuchen Sie nicht, in das Werkzeug einzuritzen oder einzugravieren.
- Brechen Sie den Betrieb sofort ab, wenn Sie einen Defekt oder etwas Ungewöhnliches am Werkzeug feststellen. Benutzen Sie das Werkzeug nicht, wenn es nicht einwandfrei funktioniert.
- Richten Sie die Auswurföffnung nicht auf in der Nähe befindliche Personen. Halten Sie Hände und Füße vom Bereich der Auswurföffnung fern.
- Gehen Sie stets von der Annahme aus, dass das Werkzeug Befestigungselemente enthält.
- Richten Sie das Werkzeug niemals auf sich selbst oder andere Personen, ganz gleich, ob es Befestigungselemente enthält oder nicht.
- Unterlassen Sie hastiges Arbeiten oder gewaltsames Andrücken des Werkzeugs. Behandeln Sie das Werkzeug sorgfältig.
- Betätigen Sie das Werkzeug nur, wenn es fest auf das Werkstück aufgesetzt ist.
- Halten oder tragen Sie das Werkzeug nicht mit dem Finger am Auslöser, und übergeben Sie es in diesem Zustand auch nicht anderen Personen. Versehentliches Auslösen kann schwere Verletzungen verursachen.
- Benutzen Sie niemals mit der Aufschrift "Nicht auf Gerüsten, Leitern verwenden" versehene Nagler für spezifische Anwendungen, wie z. B.:
 - wenn für einen Arbeitsplatzwechsel Gerüste, Treppen, Leitern oder leiterähnliche Konstruktionen, wie z. B. Dachlatten erforderlich sind.
 - zum Verschließen von Kisten oder Verschlagen.
 - zum Anbringen von Transportsicherheitssystemen z. B. an Fahrzeugen und Wagen.
- Überprüfen Sie Wand, Decke, Fußboden, Dach und dergleichen sorgfältig, um durch Kontakt mit Strom führenden Kabeln, Isolierrohren oder Gasrohren verursachte mögliche elektrische Schläge, Gaslecks, Explosionen usw. zu vermeiden.
- Benutzen Sie das Werkzeug nicht zum Befestigen von elektrischen Kabeln. Es ist nicht für die Installation elektrischer Kabel ausgelegt und kann die Isolierung elektrischer Kabel beschädigen, wodurch ein elektrischer Schlag oder Brand verursacht werden kann.
- Achten Sie beim Arbeiten mit dem Werkzeug auf sicheren Stand und Gleichgewicht. Vergewissern Sie sich, dass sich bei Arbeiten an hochgelegenen Arbeitsplätzen keine Personen unterhalb aufhalten, und sichern Sie den Luftschlauch, um Gefahren zu verhüten, falls er plötzlich ruckt oder hängen bleibt.

- Bewegen Sie sich beim Nageln auf Dächern und anderen hochgelegenen Orten in Vorwärtsrichtung. Wenn Sie sich rückwärts bewegen, können Sie beim Nageln leicht den Stand verlieren. Nageln Sie bei Arbeiten an senkrechten Flächen von oben nach unten. Dadurch ermüden Sie nicht so schnell bei der Arbeit.
- Ein Befestigungselement kann sich verbiegen oder im Werkzeug verklemmen, wenn Sie versehentlich auf ein anderes Befestigungselement oder einen Knoten im Holz treffen. Das Befestigungselement kann herausgeschleudert werden und jemand treffen, oder das Werkzeug selbst kann gefährlich reagieren. Setzen Sie die Befestigungselemente mit Sorgfalt.
- Lassen Sie das geladene Werkzeug oder den Luftkompressor nicht längere Zeit unter Druck in der Sonne liegen. Achten Sie darauf, dass am Ablageplatz des Werkzeugs kein Staub, Sand, Späne oder Fremdkörper in das Werkzeug eindringen.
- Versuchen Sie niemals, Befestigungselemente gleichzeitig von innen und außen einzutreiben. Befestigungselemente können durchschlagen und/oder herausfliegen, was eine große Gefahr darstellt.

Wartung

- Führen Sie eine Reinigung und Wartung unmittelbar nach Abschluss der Arbeit durch. Halten Sie das Werkzeug stets in einwandfreiem Zustand. Schmieren Sie bewegliche Teile, um Rostbildung zu verhüten und Reibungsverschleiß zu minimieren. Säubern Sie alle Teile von Staub.
- Lassen Sie das Werkzeug regelmäßig von einer autorisierten Makita-Kundendienststelle überprüfen.
- Um die SICHERHEIT und ZUVERLÄSSIGKEIT dieses Produkts zu gewährleisten, sollten Reparatur- und Wartungsarbeiten nur von autorisierten Makita-Kundendienstzentren unter ausschließlicher Verwendung von Makita-Originalersatzteilen ausgeführt werden.

DIESE ANWEISUNGEN AUFBEWAHREN.

WARNUNG:

Lassen Sie sich NICHT durch Bequemlichkeit oder Vertrautheit mit dem Produkt (durch wiederholten Gebrauch erworben) von der strikten Einhaltung der Sicherheitsregeln für das vorliegende Produkt abhalten. MISSBRAUCH oder Missachtung der Sicherheitsvorschriften in dieser Anleitung können schwere Verletzungen verursachen.

INSTALLATION

Wahl des Kompressors (Abb. 2)

Der Luftkompressor muss den Anforderungen von EN60335-2-34 entsprechen.

Wählen Sie einen Kompressor mit reichlicher Luftdruck- und Luftmengenleistung, um kosteneffizienten Betrieb zu gewährleisten. Das Diagramm zeigt die Beziehung zwischen Nagelfrequenz, anwendbarem Druck und Kompressor-Luftleistung.

Wenn der Nagelbetrieb beispielsweise mit einer Rate von ca. 60 Auslösungen pro Minute bei einem Druck von 0,68 MPa (6,89 bar) erfolgt, ist ein Kompressor mit einer Luftmengenleistung von über 281 Liter/Minute erforderlich.

Druckregler müssen verwendet werden, um den Luftdruck auf den Nenndruck des Werkzeugs zu begrenzen, wenn der Luftquellendruck den Nenndruck des Werkzeugs überschreitet. Eine Missachtung dieses Punkts kann zu schweren Verletzungen des Werkzeugbenutzers oder in der Nähe befindlicher Personen führen.

Wahl des Luftschlauchs (Abb. 3)

Verwenden Sie einen möglichst dicken und kurzen Luftschlauch, um kontinuierlichen, effizienten Nagelbetrieb zu gewährleisten. Bei einem Luftdruck von 0,49 MPa (4,9 bar) wird ein Luftschlauch mit einem Innendurchmesser von über 8,0 mm und einer Länge von unter 20 m empfohlen, wenn das Nagelintervall 1 Sekunde beträgt. Der Luftschlauch muss eine minimale Arbeitsdruckleistung von 1,03 MPa (10,3 bar) oder 150 Prozent des im System erzeugten Maximaldrucks haben, je nachdem, welcher Wert höher ist.

VORSICHT:

- Eine zu geringe Luftleistung des Kompressors oder ein Luftschlauch mit einer zu großen Länge oder einem zu kleinen Durchmesser in Bezug auf die Nagelfrequenz kann eine Abnahme der Eintreibleistung des Werkzeugs verursachen.

Schmierung (Abb. 4)

Um maximale Leistung zu gewährleisten, sollte der Luftsatz (Öler, Regler, Luftfilter) möglichst nahe am Werkzeug installiert werden. Stellen Sie den Öler so ein, dass er einen Tropfen Öl für jeweils 50 Nägel liefert.

Wenn kein Luftsatz verwendet wird, ölen Sie das Werkzeug mit Druckluftwerkzeugöl, indem Sie 2 (zwei) bis 3 (drei) Tropfen in den Anschlussnippel geben. Dies sollte vor und nach dem Gebrauch erfolgen. Für eine einwandfreie Schmierung muss das Werkzeug ein paar Mal ausgelöst werden, nachdem das Druckluftwerkzeugöl eingegeben worden ist. (Abb. 5)

MONTAGE

Beladen des Naglers

VORSICHT:

- Trennen Sie vor dem Laden des Naglers stets den Schlauch ab.

Drücken Sie den Rasthebel nieder, um die Klappe zu öffnen. Öffnen Sie dann den Magazindeckel. (Abb. 6)

Heben Sie den Magazinboden an und drehen Sie ihn, so dass er auf den Teilstrich der Nagellänge der einzulegenden Nägel ausgerichtet ist. (Abb. 7)

Hinweis:

Ein falsch positionierter Magazinboden kann schlechten Nageltransport oder eine Fehlfunktion des Werkzeugs verursachen. (Abb. 8)

Legen Sie die Nagelcoil auf den Magazinboden. Wickeln Sie die Coil so weit ab, dass die Nägel die Vorschubklau erreichen. Platzieren Sie den ersten Nagel in den Treiberkanal und den zweiten Nagel in die Vorschubklau. Platzieren Sie weitere abgewickelte Nägel auf den Zuführer. Vergewissern Sie sich, dass die Nagelcoil korrekt in das Magazin eingelegt ist, und schließen Sie den Magazindeckel.

Anschließen des Luftschlauchs (Abb. 9)

Schieben Sie die Anschlussmuffe des Luftschlauchs auf den Anschlussnippel des Naglers. Vergewissern Sie sich, dass die Anschlussmuffe fest einrastet, wenn sie auf den Anschlussnippel geschoben wird. Eine Schlauchkupplung muss so am Werkzeug oder in dessen Nähe installiert werden, dass der Druckvorrat abgelassen wird, wenn die Luftquellenkupplung abgetrennt wird.

BETRIEB

⚠ VORSICHT:

- BEI HALB GEDRÜCKTEM AUSLÖSER kann eine plötzliche Auslösung erfolgen, falls das Kontaktelement unter dem Einfluss des Rückpralls erneut mit dem Werkstück oder einer anderen Oberfläche in Berührung kommt. Um eine solche plötzliche Auslösung zu vermeiden, beachten Sie Folgendes:
 - Drücken sie das Kontaktelement nicht mit übermäßiger Kraft gegen das Werkstück.
 - Drücken Sie den Auslöser ganz durch, und halten Sie ihn nach dem Nageln noch 1 bis 2 Sekunden lang gedrückt.
- Betreiben Sie das Werkzeug nicht ohne Nägel. Dadurch wird die Lebensdauer des Werkzeugs verkürzt.
- Vergewissern Sie sich vor der Benutzung, dass alle Sicherheitssysteme in gutem Betriebszustand sind. (Abb. 10)
 - Das Werkzeug darf nicht auslösen, wenn nur der Auslöser gezogen wird, ohne dass das Kontaktelement das Werkstück berührt. (Abb. 11)
 - Das Werkzeug darf nicht auslösen, wenn nur das Kontaktelement das Werkstück berührt, ohne dass der Auslöser gezogen wird.

Eintreiben von Nägeln (Abb. 12)

Setzen Sie das Kontaktelement auf das Werkstück, und ziehen Sie den Auslöser, oder ziehen Sie zuerst den Auslöser, und setzen Sie dann das Kontaktelement auf das Werkstück. (Abb. 13)

Die erste Methode eignet sich für absatzweises Nageln, wenn Sie einen Nagel sorgfältig und sehr genau eintreiben wollen.

Die zweite Methode eignet sich für kontinuierliches Nageln.

Verwendung des Folgeauslösers (Zubehör)

Um einen Nagel einzutreiben, setzen Sie das Kontaktelement auf das Werkstück und ziehen den Auslöser.

⚠ VORSICHT:

- BEI HALB GEDRÜCKTEM AUSLÖSER kann eine plötzliche Auslösung erfolgen, falls das Kontaktelement unter dem Einfluss des Rückpralls erneut mit dem Werkstück oder einer anderen Oberfläche in Berührung kommt. Um eine solche plötzliche Auslösung zu vermeiden, beachten Sie Folgendes:
 - Drücken sie das Kontaktelement nicht mit übermäßiger Kraft gegen das Werkstück.
 - Drücken Sie den Auslöser ganz durch, und halten Sie ihn nach dem Nageln noch 1 bis 2 Sekunden lang gedrückt.

Blockierter Nagler

⚠ VORSICHT:

- Trennen Sie stets den Luftschlauch ab, und nehmen Sie die Nägel aus dem Magazin heraus, bevor Sie eine Blockierung beseitigen. (Abb. 14)

Gehen Sie bei einer Blockierung des Naglers folgendermaßen vor:

Öffnen Sie den Magazindeckel, und entnehmen Sie die Nagelcoil. Führen Sie eine kleine Stange oder dergleichen in die Auswurföffnung ein, und klopfen Sie mit einem Hammer darauf, um den klemmenden Nagel aus der Auswurföffnung auszutreiben. Legen Sie die Nagelcoil wieder ein, und schließen Sie den Magazindeckel.

WARTUNG

⚠ VORSICHT:

- Trennen Sie stets den Luftschlauch vom Werkzeug ab, bevor Sie Inspektions- oder Wartungsarbeiten ausführen.
- Verwenden Sie auf keinen Fall Benzin, Benzol, Verdünner, Alkohol oder dergleichen. Solche Mittel können Verfärbung, Verformung oder Rissbildung verursachen.

Wartung des Naglers (Abb. 15)

Überprüfen Sie das Werkzeug vor der Benutzung stets auf seinen Allgemeinzustand und lockere Schrauben. Erforderlichenfalls anziehen.

Führen Sie die tägliche Inspektion bei abgetrenntem Werkzeug durch, um sicherzustellen, dass sich Kontaktelement und Auslöser ungehindert bewegen. Benutzen Sie das Werkzeug nicht, falls das Kontaktelement oder der Auslöser klemmt oder blockiert.

(Abb. 16)

Wenn das Werkzeug längere Zeit nicht benutzt werden soll, schmieren Sie es mit Druckluftwerkzeugöl, und lagern Sie es an einem sicheren Ort. Vermeiden Sie Orte, die direktem Sonnenlicht ausgesetzt sind und/oder feuchte oder heiße Umgebungen.

Wartung von Kompressor, Luftsatz und Luftschlauch (Abb. 17 und 18)

Nach jedem Betrieb sollten Kompressortank und Luftfilter entleert werden. In das Werkzeug eingedrungene Feuchtigkeit kann eine Verschlechterung der Leistung und ein mögliches Versagen des Werkzeugs verursachen. (Abb. 19)

Prüfen Sie regelmäßig nach, ob genügend Druckluftwerkzeugöl im Öler des Luftsatzes vorhanden ist. Eine Vernachlässigung der Schmierung führt zu schnellem Verschleiß der O-Ringe. (Abb. 20)

Halten Sie den Luftschlauch von Wärmequellen (über 60 °C) und Chemikalien (Verdünner, starken Säuren oder Laugen) fern. Achten Sie auch darauf, dass sich der Schlauch nicht an Hindernissen verfängt, was während des Betriebs gefährlich sein kann. Der Schlauch darf auch nicht mit scharfen Kanten oder Gegenständen in Berührung kommen, die eine Beschädigung oder Abrieb des Schlauchs verursachen können.

Handhabung von Nägeln (Abb. 21)

Behandeln Sie Nagelcoils und ihre Schachteln sorgfältig. Bei grober Behandlung der Nagelcoils können sie sich verformen, oder ihre Verbinder können brechen, was schlechten Nageltransport verursacht. (Abb. 22)

Vermeiden Sie die Lagerung von Nägeln an sehr feuchten oder heißen Orten oder an Orten, die direktem Sonnenlicht ausgesetzt sind.

Um die SICHERHEIT und ZUVERLÄSSIGKEIT dieses Produkts zu gewährleisten, sollten Reparaturen und andere Wartungs- oder Einstellarbeiten nur von autorisierten Makita-Kundendienstzentren unter ausschließlicher Verwendung von Makita-Originalersatzteilen ausgeführt werden.

SONDERZUBEHÖR

⚠ VORSICHT:

- Die folgenden Zubehörteile oder Vorrichtungen werden für den Einsatz mit dem in dieser Anleitung beschriebenen Makita-Werkzeug empfohlen. Die Verwendung anderer Zubehörteile oder Vorrichtungen kann eine Verletzungsgefahr darstellen. Verwenden Sie Zubehörteile oder Vorrichtungen nur für ihren vorgesehenen Zweck.

Wenn Sie weitere Einzelheiten bezüglich dieser Zubehörteile benötigen, wenden Sie sich bitte an Ihre Makita-Kundendienststelle.

- Nägel
- Luftschläuche

HINWEIS:

- Manche Teile in der Liste können als Standardzubehör im Werkzeugsatz enthalten sein. Sie können von Land zu Land unterschiedlich sein.

Geräusch

ENG905-1

Typischer A-bewerteter Geräuschpegel ermittelt gemäß EN792:

A-gewichteter Schalldruckpegel am Arbeitsplatz (L_{pA}): AN960: 95,7 dB (A), AN961: 97,4 dB (A)
A-gewichteter Schalleistungspegel (L_{WA}): AN960: 96,9 dB (A), AN961: 98,0 dB (A)
Ungewissheit (K): 1,5 dB (A)

Gehörschützer tragen

Vibration

ENG904-2

Vibrationsgesamt看wert ermittelt gemäß EN792:

Vibrationsemission (a_h): 5,35 m/s²
Ungewissheit (K): 2,14 m/s²

ENG901-1

- Der angegebene Vibrationsemissionswert wurde im Einklang mit der Standardprüfmethode gemessen und kann für den Vergleich zwischen Werkzeugen herangezogen werden.
- Der angegebene Vibrationsemissionswert kann auch für eine Vorbewertung des Gefährdungsgrads verwendet werden.

⚠ WARNUNG:

- Die Vibrationsemission während der tatsächlichen Benutzung des Elektrowerkzeugs kann je nach der Benutzungsweise des Werkzeugs vom angegebenen Emissionswert abweichen.
- Identifizieren Sie Sicherheitsmaßnahmen zum Schutz des Benutzers anhand einer Schätzung des Gefährdungsgrads unter den tatsächlichen Benutzungsbedingungen (unter Berücksichtigung aller Phasen des Arbeitszyklus, wie z. B. Ausschalt- und Leerlaufzeiten des Werkzeugs zusätzlich zur Betriebszeit).

Nur für europäische Länder

EG-Konformitätserklärung

Wir, die Makita Corporation als verantwortlicher Hersteller, erklären, dass die folgende(n) Makita-Maschine(n):

Bezeichnung der Maschine:

Druckluft Coil Nagler

Modell-Nr./Typ: AN960, AN961

der Serienproduktion entstammen und

den folgenden europäischen Richtlinien entsprechen:

2006/42/EG

und gemäß den folgenden Standards oder standardisierten Dokumenten hergestellt werden:

EN792

Die technische Dokumentation wird aufbewahrt von:

Makita International Europe Ltd.

Technische Abteilung,

Michigan Drive, Tongwell,

Milton Keynes, Bucks MK15 8JD, England

29.11.2013



Tomoyasu Kato
Geschäftsführer

Makita Corporation
3-11-8, Sumiyoshi-cho,
Anjo, Aichi, 446-8502, JAPAN

Visione generale

1 Occhiali di protezione	9 Piastra di supporto bobina	18 Rubinetto di scarico
2 Visiera	10 Graduazione	19 Filtro aria
3 Uscita aria compressore al minuto	11 Dente di alimentazione	20 Oliatore
4 Frequenza di chiodatura	12 Canale avvitatore	21 Olio pneumatico
5 Olio utensile pneumatico	13 Elemento aria	22 Solvente
6 Coperchio cartuccia	14 Presa aria	23 Stufa
7 Leva gancio	15 Grilletto	24 Chiodo
8 Sportello	16 Martello	25 Umido
	17 Barra piccola	26 Caldo

DATI TECNICI

Modello	AN960	AN961
Pressione aria	0,49 – 0,83 MPa (4,9 – 8,3 bar)	0,49 – 0,83 MPa (4,9 – 8,3 bar)
Chiodi utilizzabili	Chiodi di 57 mm – 100 mm saldati con filo metallico	Chiodi di 55 mm – 100 mm saldati con filo metallico
Capacità chiodi	225 – 300 pezzi	225 – 300 pezzi
Dimensioni (P × A × L)	338 mm × 153 mm × 418 mm	338 mm × 153 mm × 418 mm
Diametro minimo tubo	8,0 mm	8,0 mm
Olio pneumatico	Olio turbina	Olio turbina
Peso netto	5,1 kg	5,3 kg

- Per il nostro continuo programma di ricerca e sviluppo, i dati tecnici specificati qui sono soggetti a cambiamenti senza avviso.
- I dati tecnici potrebbero differire da paese a paese.
- Peso in base alla Procedura EPTA 01/2003

Simboli

Per questo utensile vengono usati i simboli seguenti. Bisogna capire il loro significato prima di usare l'utensile.



- Leggere il manuale di istruzioni.



- Indossare occhiali di protezione.



- Non usare su impalcature, scale a pioli.

Scopo prefissato

Questo utensile è progettato per la costruzione di palette e scatole di legno.

Avvertimenti di sicurezza per la chiodatrice/ graffatrice pneumatica

⚠ AVVERTIMENTO Leggere tutti gli avvertimenti per la sicurezza e le istruzioni. La mancata osservanza degli avvertimenti e delle istruzioni potrebbe causare un serio incidente, scosse elettriche e/o un incendio.

Conservare tutti gli avvertimenti e le istruzioni per riferimenti futuri.

Per la propria sicurezza e il funzionamento e la manutenzione corretti dell'utensile, leggere questo manuale di istruzioni prima di usarlo.

Sicurezza generale

- Non permettere a chi non è istruito di usare l'utensile.
- Non fare scherzi usando l'utensile. Rispettare l'utensile come uno strumento di lavoro.

- Non usare l'utensile sotto l'effetto di alcol, medicine o sostanze simili.
- Mai alterare l'utensile.

Attrezzatura di protezione personale

- Mettersi sempre gli occhiali di protezione per proteggere gli occhi dalla polvere e dagli incidenti con i chiodi.

⚠ AVVERTIMENTO: È responsabilità del datore di lavoro di obbligare gli operatori e le altre persone nelle immediate vicinanze dell'area di lavoro a usare l'attrezzatura di protezione per la sicurezza degli occhi.

Per l'Australia e la Nuova Zelanda soltanto

Portare sempre gli occhiali di protezione e la visiera, per proteggere gli occhi dalla polvere e dagli incidenti con i chiodi. Gli occhiali di protezione e la visiera devono essere conformi ai requisiti AS/NZS 1336. **(Fig. 1)**

- Indossare i paraorecchi per proteggere le orecchie dal rumore di scarico, e indossare anche un casco. Indossare anche abiti leggeri ma non ampi. Le maniche devono essere abbottonate o rimboccate. Non si deve portare la cravatta.

Sicurezza dell'area di lavoro

- Mantenere l'area di lavoro pulita e bene illuminata. Le aree in disordine o buie invitano gli incidenti.
- Non usare l'utensile dove l'atmosfera è esplosiva, come in presenza di liquidi, gas o polveri infiammabili. Il funzionamento dell'utensile può creare scintille, che potrebbero infiammare la polvere o fumi.
- Tenere lontani i bambini e gli astanti mentre si fa funzionare l'utensile. Le distrazioni possono causare una perdita di controllo.
- Illuminare sufficientemente l'area di lavoro.
- Ci potrebbero essere delle norme locali riguardo al rumore, che vanno rispettate mantenendo i livelli del rumore entro i limiti prescritti. In alcuni casi si devono usare dei ripari per limitare il rumore.

Dispositivi di sicurezza

- Accertarsi che tutti i sistemi di sicurezza funzionino correttamente prima di cominciare il lavoro. L'utensile non deve essere usato se si può usare soltanto il grilletto, o se soltanto il braccio di contatto può essere premuto contro il legno. Esso deve funzionare soltanto quando si eseguono entrambe le due azioni. Fare una prova senza i chiodi e con l'elemento di spinta completamente tirato.
- Non giocare con l'elemento di contatto. Esso previene una scarica accidentale, per cui deve essere mantenuto montato e non va rimosso. Anche bloccare il grilletto in posizione ON è molto pericoloso. Non si deve mai cercare di fissare il grilletto. Non usare l'utensile su una qualsiasi parte dei controlli non può essere utilizzata, se è staccata, alterata o non funziona correttamente.
- Non cercare di mantenere premuto l'elemento di contatto con del nastro o filo di ferro. C'è pericolo di morte o di un grave incidente.
- Controllare sempre l'elemento di contatto sulla base delle istruzioni di questo manuale. Se il meccanismo di sicurezza non funziona correttamente, i chiodi potrebbero essere espulsi accidentalmente.

Caricamento dei chiodi

- Non caricare i chiodi nell'utensile quando uno qualsiasi dei controlli di funzionamento è attivato.
- Usare soltanto i chiodi specificati in questo manuale. L'utilizzo di qualsiasi altro tipo di chiodi potrebbe causare il malfunzionamento dell'utensile.

Fonte di alimentazione

- Mai collegare l'utensile a una fonte d'aria compressa con una pressione d'aria che potrebbe superare del 10% la gamma di pressione dell'aria appropriata all'utensile, specificata nella tabella "DATI TECNICI". Accertarsi che la pressione alimentata dal sistema d'aria compressa non superi la gamma di pressione dell'aria appropriata all'utensile. Regolare inizialmente la pressione dell'aria al valore più basso della gamma di pressione dell'aria appropriata.
- Far funzionare l'utensile alla pressione più bassa richiesta dal lavoro, in modo da evitare livelli del rumore inutilmente alti, una maggiore usura e guasti che ne risultano.
- L'utensile deve essere usato esclusivamente con aria compressa. Se come fonte di alimentazione dell'utensile si usa una bomboletta del gas (biossido di carbonio, ossigeno, azoto, idrogeno, aria, ecc.), o gas combustibile (idrogeno, propano, acetilene, ecc.), l'utensile esplose causando un grave incidente.
- Scollegare sempre il tubo dell'aria e rimuovere tutti i chiodi:
 - quando l'utensile viene lasciato incustodito;
 - prima di eseguire un qualsiasi intervento di manutenzione o una riparazione;
 - prima di correggere un inceppamento;
 - prima di portare l'utensile in un nuovo ambiente.
- Usare soltanto l'olio per utensili pneumatici specificato in questo manuale.

Sicurezza di funzionamento

- Prima di cominciare un lavoro, controllare sempre la condizione generale dell'utensile e che non ci siano viti allentate. Stringere come necessario.

- Maneggiare con cura l'utensile, in quanto al suo interno c'è un'alta pressione che può essere pericolosa se si causa una crepa per averlo trattato rudemente (caduta o colpo). Non cercare di intagliare o di incidere sull'utensile.
- Smettere immediatamente di far funzionare l'utensile se si nota qualcosa di sbagliato o fuori dell'ordinario. Non si deve usare un utensile che non funziona correttamente.
- Non puntare il foro di espulsione su nessuno nelle vicinanze. Tenere le mani e i piedi lontani dall'area del foro di espulsione.
- Presumere sempre che l'utensile contenga i chiodi.
- Mai puntare l'utensile su se stessi o chiunque altro, sia che contenga o meno i chiodi.
- Non affrettarsi nel lavoro o forzare l'utensile. Maneggiare con cura l'utensile.
- Non attivare l'utensile se non è appoggiato saldamente sul pezzo.
- Mai tenere o trasportare l'utensile con un dito sul grilletto, o darlo a qualcuno in questa condizione. L'espulsione accidentale di chiodi può causare un grave incidente.
- Non si devono mai usare utensili di chiodatura recanti il simbolo di avvertimento "Non usare su impalcature, scale a pioli" per specifiche applicazioni, per esempio:
 - se il cambiamento da un posto di chiodatura a un altro richiede l'utilizzo di impalcature, scale, scale a pioli o costruzioni come scale a pioli, per esempio tetti di travi di legno;
 - per chiudere scatole o casse di legno;
 - sistemi di sicurezza per il trasporto, per esempio su veicoli o vagoni.
- Controllare con cura le pareti, i soffitti, i pavimenti, le coperture di tetti e simili, per evitare possibili scosse elettriche, perdite di gas, esplosioni, ecc., causate dal contatto con fili elettrici, condutture o tubi del gas.
- Non usare l'utensile per fissare i cavi elettrici. Esso non è progettato per l'installazione di cavi elettrici, e potrebbe danneggiare l'isolamento dei cavi causando così scosse elettriche o pericoli d'incendio.
- Guardare dove si mettono i piedi, e mantenere il proprio equilibrio con l'utensile. Accertarsi che non ci sia nessuno sotto quando si lavora in posti alti, e fissare il tubo dell'aria per evitare pericoli se c'è uno strattone improvviso o se rimane impigliato.
- Sui tetti e altri luoghi alti, inchiodare spostandosi in avanti. È facile perdere l'appoggio dei piedi se si inchioda andando indietro. Per inchiodare una superficie perpendicolare, procedere dall'alto al basso. Facendo ciò si può inchiodare con meno fatica.
- Un chiodo potrebbe diventare storto o l'utensile incepparsi se si inchioda per sbaglio su un altro chiodo o su un nodo del legno. Il chiodo potrebbe venire scagliato e colpire qualcuno, o l'utensile stesso potrebbe reagire pericolosamente. Piazzare i chiodi con cura.
- Non lasciare l'utensile carico o il compressore d'aria sotto pressione per un lungo periodo di tempo al sole. Fare attenzione che polvere, sabbia, trucioli od altre sostanze estranee non entrino nell'utensile nel posto dove viene lasciato.
- Non si deve mai cercare di inchiodare allo stesso tempo da entrambi l'interno e l'esterno. I chiodi potrebbero trapassare e/o volare via, con grave pericolo.

Manutenzione

- Eseguire la pulizia e la manutenzione subito dopo la fine del lavoro. Mantenere l'utensile in ottime condizioni. Lubrificare le parti mobili per evitare che si arrugginiscono e minimizzare l'usura causata dagli attriti. Togliere tutta la polvere dalle parti.
- Richiedere l'ispezione periodica dell'utensile da un centro di assistenza Makita autorizzato.
- Per mantenere la SICUREZZA e l'AFFIDABILITÀ del prodotto, la manutenzione e le riparazioni devono essere fatte da un centro di assistenza Makita autorizzato usando sempre ricambi Makita.

CONSERVARE QUESTE ISTRUZIONI.

⚠ AVVERTIMENTO:

NON lasciare che la comodità d'utilizzo o la familiarità con il prodotto (acquisita con l'uso ripetuto) sostituisca la stretta osservanza delle sue norme per la sicurezza. L'USO SCORRETTO o la mancata osservanza delle norme per la sicurezza indicate in questo manuale di istruzioni potrebbero causare un serio incidente.

INSTALLAZIONE

Selezione del compressore (Fig. 2)

Il compressore d'aria deve essere conforme ai requisiti EN60335-2-34.

Per un funzionamento efficiente, selezionare un compressore con una pressione e uscita d'aria ampie. Il grafico mostra il rapporto tra la frequenza di chiodatura, la pressione applicabile e l'uscita d'aria del compressore. Perciò, se per esempio la chiodatura avviene a una velocità di circa 60 volte al minuto a una compressione di 0,68 Mpa (6,89 bar), è necessario un compressore con una uscita d'aria di oltre 281 litri/minuto.

Per limitare la pressione dell'aria alla pressione nominale dell'utensile se la pressione di alimentazione dell'aria supera la pressione nominale, bisogna usare regolatori di pressione. In caso contrario, c'è il pericolo di un serio incidente per l'operatore dell'utensile o per le persone nelle vicinanze.

Selezione del tubo dell'aria (Fig. 3)

Per assicurare una operazione di chiodatura continua ed efficiente, usare un tubo dell'aria quanto più grande e corto possibile. Con una pressione dell'aria di 0,49 MPa (4,9 bar), si consiglia un tubo dell'aria con un diametro interno di oltre 8,0 mm e una lunghezza inferiore ai 20 m quando l'intervallo tra ciascuna chiodatura è di 1 secondo. I tubi dell'aria devono avere un classe di pressione di lavoro minima di 1,03 MPa (10,3 bar) o 150 per cento della pressione massima prodotta nel sistema quale delle due sia la più alta.

⚠ ATTENZIONE:

- Una bassa uscita dell'aria del compressore, o un tubo dell'aria lungo o con un diametro interno più piccolo in rapporto alla frequenza di chiodatura, potrebbero causare una diminuzione delle capacità di chiodatura dell'utensile.

Lubrificazione (Fig. 4)

Per garantire le massime prestazioni, installare un gruppo aria (oliatore, regolatore, filtro aria) quanto più vicino possibile all'utensile. Regolare l'oliatore in modo che venga fornita una goccia d'olio ogni 50 chiodi.

Se non si usa un gruppo aria, oliare l'utensile con olio per utensili pneumatici mettendo 2 (due) o 3 (tre) gocce nell'elemento dell'aria. Ciò va fatto prima e dopo l'uso. Per la lubrificazione corretta, l'utensile deve essere usato un paio di volte dopo l'introduzione dell'olio pneumatico. (Fig. 5)

MONTAGGIO

Caricamento della chiodatrice

⚠ ATTENZIONE:

- Scollegare sempre il tubo prima di caricare la chiodatrice.

Schiacciare la leva gancio e aprire lo sportello. Aprire poi il coperchio della cartuccia. (Fig. 6)

Sollevare e girare la piastra di supporto bobina in modo che essa sia rivolta sulla graduazione della lunghezza dei chiodi che si vogliono installare. (Fig. 7)

Avviso:

Una piastra di supporto bobina installata male potrebbe causare una scarsa alimentazione dei chiodi o un malfunzionamento dell'utensile. (Fig. 8)

Sistemare la bobina dei chiodi sopra la piastra di supporto bobina. Sbobinare chiodi sufficienti da raggiungere il dente di alimentazione. Sistemare il primo chiodo nel canale avvitatore e il secondo chiodo nel dente di alimentazione. Mettere altri chiodi sbobinati nel corpo alimentatore. Accertarsi che la bobina dei chiodi sia sistemata correttamente nella cartuccia, e chiudere il coperchio della cartuccia.

Collegamento del tubo (Fig. 9)

Inserire la presa d'aria del tubo dell'aria sull'elemento dell'aria della chiodatrice. Accertarsi che la presa d'aria sia fissata saldamente in posizione quando è installata sull'elemento dell'aria. Bisogna installare un accoppiatore del tubo su o vicino all'utensile, in modo che il serbatoio della pressione si scarichi quando l'accoppiatore di alimentazione dell'aria viene staccato.

FUNZIONAMENTO

⚠ ATTENZIONE:

- CON IL GRILLETTO SCHIACCIATO A METÀ, si potrebbe verificare una chiodatura inaspettata se si lascia che l'elemento di contatto faccia di nuovo contatto con il pezzo o altra superficie sotto l'effetto del contraccolpo. Per evitare questa chiodatura inaspettata, procedere come segue;
 - Non appoggiare con eccessiva forza l'elemento di contatto sul pezzo.
 - Schiacciare completamente il grilletto e mantenerlo per 1 – 2 secondi dopo la chiodatura.
- L'utensile non deve essere fatto funzionare senza i chiodi. Ciò riduce la vita di servizio dell'utensile.

- Accertarsi che tutti i sistemi di sicurezza funzionino correttamente prima di cominciare il lavoro. **(Fig. 10)**
 - Schiacciando soltanto il grilletto senza che l'elemento di contatto faccia contatto con il pezzo non deve eseguire la chiodatura. **(Fig. 11)**
 - Il solo elemento di contatto che fa contatto con il pezzo non deve eseguire la chiodatura.

Chiodatura (Fig. 12)

Appoggiare l'elemento di contatto sul pezzo e schiacciare il grilletto, oppure schiacciare prima il grilletto e appoggiare l'elemento di contatto sul pezzo. **(Fig. 13)**

Il primo metodo è per la chiodatura intermittente, se si desidera inchiodare un chiodo con cura e molto precisamente.

Il secondo metodo è per la chiodatura continua.

Uso del grilletto a scatto sequenziale (accessorio)

Per inchiodare un chiodo si può appoggiare l'elemento di contatto sul pezzo e schiacciare il grilletto.

ATTENZIONE:

- CON IL GRILLETTO SCHIACCIATO A METÀ, si potrebbe verificare una chiodatura inaspettata se si lascia che l'elemento di contatto faccia di nuovo contatto con il pezzo o altra superficie sotto l'effetto del contraccolpo. Per evitare questa chiodatura inaspettata, procedere come segue;
 - Non appoggiare con eccessiva forza l'elemento di contatto sul pezzo.
 - Schiacciare completamente il grilletto e mantenerlo per 1 – 2 secondi dopo la chiodatura.

Chiodatrice inceppata

ATTENZIONE:

- Scollegare sempre il tubo dell'aria e rimuovere i chiodi dalla cartuccia prima di correggere un inceppamento. **(Fig. 14)**

Se la chiodatrice si inceppa, procedere come segue:

Aprire il coperchio della cartuccia e rimuovere la bobina dei chiodi. Inserire una piccola barra, o qualcosa di simile, nel foro di espulsione e darle dei colpi con un martello per fare uscire il chiodo inceppato dal foro di espulsione. Risistemare la bobina dei chiodi e chiudere il coperchio della cartuccia.

MANUTENZIONE

ATTENZIONE:

- Scollegare sempre il tubo dell'aria dall'utensile prima di cercare di eseguire l'ispezione o la manutenzione.
- Non si devono mai usare benzina, benzolo, solventi, alcol o sostanze similari. Si potrebbero causare scolorimenti, deformazioni o crepe.

Manutenzione della chiodatrice (Fig. 15)

Prima di cominciare un lavoro, controllare sempre la condizione generale dell'utensile e che non ci siano viti allentate. Stringere come necessario.

Con l'utensile scollegato, eseguire l'ispezione giornaliera per accertarsi del libero movimento dell'elemento di contatto e del grilletto. Non usare l'utensile se l'elemento di contatto o il grilletto rimane inceppato o incollato. **(Fig. 16)**

Se non si intende usare l'utensile per un lungo periodo di tempo, lubrificarlo usando olio per utensili pneumatici e conservarlo in un posto sicuro. Evitare l'esposizione alla luce diretta del sole e/o all'umidità o ambiente caldo.

Manutenzione del compressore, gruppo aria e tubo dell'aria (Fig. 17 e 18)

Dopo il lavoro, scaricare sempre il serbatoio del compressore e il filtro dell'aria. Se si lascia che l'umidità entri nell'utensile, potrebbe causare lo scadimento delle prestazioni e un suo possibile guasto. **(Fig. 19)**

Controllare regolarmente che ci sia olio pneumatico sufficiente nell'oliatore del gruppo aria. La lubrificazione insufficiente causa la rapida usura degli anelli di tenuta. **(Fig. 20)**

Tenere il tubo dell'aria lontano dal calore (oltre 60°C) e dalle sostanze chimiche (solventi, acidi o alcali forti). Disporre inoltre il tubo dove non ci sono ostacoli sui quali potrebbe pericolosamente impigliarsi durante il lavoro. I tubi devono anche essere tenuti lontano dai bordi taglienti e dalle aree che potrebbero danneggiarli o causarne l'abrasione.

Maneggiamento dei chiodi (Fig. 21)

Maneggiare con cura le bobine dei chiodi e la loro scatola. Se i chiodi sono stati maneggiati male, potrebbero essere deformati o il loro connettore si rompe, causando l'alimentazione scarsa dei chiodi. **(Fig. 22)**

Evitare di conservare i chiodi in un luogo molto umido o caldo, o un luogo esposto alla luce diretta del sole.

Per mantenere la SICUREZZA e l'AFFIDABILITÀ del prodotto, le riparazioni e qualsiasi altra manutenzione o regolazione devono essere fatte da un centro di assistenza Makita autorizzato usando sempre ricambi Makita.

ACCESSORI OPZIONALI

ATTENZIONE:

- Per l'utensile Makita specificato in questo manuale si consigliano questi accessori o ricambi. L'utilizzo di altri accessori o ricambi può costituire un pericolo di incidente alle persone. Usare gli accessori o i ricambi soltanto per i loro scopi prefissati.

Nel caso sia necessaria l'assistenza per maggiori dettagli riguardo a questi accessori, rivolgersi al centro di assistenza Makita locale.

- Chiodi
- Tubi aria

NOTA:

- Alcuni articoli della lista potrebbero essere inclusi nella scatola di imballaggio dell'utensile come accessori standard. Essi potrebbero differire da paese a paese.

ENG905-1

Rumore

Livello del rumore tipico pesato A determinato conformemente a EN792:

Livello di pressione sonora pesato A sul posto di lavoro (L_{pA}): AN960: 95,7 dB (A), AN961: 97,4 dB (A)

Livello di potenza sonora pesato A (L_{WA}): AN960: 96,9 dB (A), AN961: 98,0 dB (A)

Incertezza (K): 1,5 dB (A)

Indossare la protezione delle orecchie

Vibrazione

Valore totale di vibrazione determinato conformemente a EN792:

Emissione di vibrazioni (a_{H1}): 5,35 m/s²
 Incertezza (K): 2,14 m/s²

ENG901-1

- Il valore di emissione delle vibrazioni dichiarato è stato misurato conformemente al metodo di test standard, e può essere usato per paragonare un utensile con un altro.
- Il valore di emissione delle vibrazioni dichiarato può anche essere usato per una valutazione preliminare dell'esposizione.

⚠ AVVERTIMENTO:

- L'emissione di vibrazioni durante l'uso effettivo dell'utensile elettrico può differire dal valore di emissione dichiarato a seconda dei modi in cui l'utensile viene utilizzato.
- Assicurarsi di identificare le misure di sicurezza per la protezione dell'operatore basate su un giudizio dell'esposizione in condizioni reali d'utilizzo (prendendo in considerazione tutte le fasi del ciclo di lavoro, come quante volte l'utensile viene spento e quando gira a vuoto, oltre che al tempo di chiodatura).

Modello per l'Europa soltanto**Dichiarazione CE di conformità**

Noi della Makita Corporation, come produttori responsabili, dichiariamo che le macchine Makita seguenti:

Designazione della macchina:
 Chiodatrice a bobina pneumatica
 Modello No./Tipo: AN960, AN961
 sono una produzione di serie e

conformi alle direttive europee seguenti:
 2006/42/CE

E sono fabbricate conformemente ai seguenti standard o documenti standardizzati:

EN792

La documentazione tecnica è tenuta da:

Makita International Europe Ltd.
 Reparto tecnico,
 Michigan Drive, Tongwell,
 Milton Keynes, Bucks MK15 8JD, Inghilterra

29.11.2013



Tomoyasu Kato
 Amministratore
 Makita Corporation
 3-11-8, Sumiyoshi-cho,
 Anjo, Aichi, 446-8502, JAPAN

Explicación de los dibujos

- | | | |
|---|-------------------------------|---------------------|
| 1 Gafas de seguridad | 9 Placa de apoyo de la bobina | 19 Filtro de aire |
| 2 Pantalla facial | 10 Graduación | 20 Aceitero |
| 3 Salida de aire por minuto del compresor | 11 Pinza de alimentación | 21 Aceite neumático |
| 4 Frecuencia de clavado | 12 Canal de arrastre | 22 Disolvente |
| 5 Aceite para herramientas neumáticas | 13 Conector de aire | 23 Fogón |
| 6 Tapa del cargador | 14 Acoplador de aire | 24 Clavos |
| 7 Palanca de enganche | 15 Gatillo | 25 Humedad |
| 8 Puerta | 16 Martillo | 26 Calor |
| | 17 Varilla pequeña | |
| | 18 Grifo de drenaje | |

ESPECIFICACIONES

Modelo	AN960	AN961
Presión de aire	0,49 – 0,83 MPa (4,9 – 8,3 bar)	0,49 – 0,83 MPa (4,9 – 8,3 bar)
Clavos aplicables	Clavos soldados a alambre 57 mm – 100 mm	Clavos soldados a alambre 55 mm – 100 mm
Número de clavos	225 – 300 unidades	225 – 300 unidades
Dimensiones (La × Al × An)	338 mm × 153 mm × 418 mm	338 mm × 153 mm × 418 mm
Diámetro mínimo de la manguera	8,0 mm	8,0 mm
Aceite neumático	Aceite de turbinas	Aceite de turbinas
Peso neto	5,1 kg	5,3 kg

- Debido a nuestro programa continuado de investigación y desarrollo, las especificaciones aquí dadas están sujetas a cambios sin previo aviso.
- Las especificaciones pueden ser diferentes de un país a otro.
- Peso de acuerdo con el procedimiento EPTA 01/2003

Símbolos

A continuación se muestran los símbolos utilizados para el equipo. Asegúrese de que entiende su significado antes de usarlo.



- Lea el manual de instrucciones.



- Póngase gafas de seguridad.



- No utilizar en andamios ni en escaleras de mano.

Uso previsto

La herramienta ha sido prevista para hacer palés y cajas de madera.

Advertencias de seguridad para la clavadora/grapadora neumática

⚠ ADVERTENCIA Lea todas las advertencias de seguridad y todas las instrucciones. Si no sigue todas las advertencias e instrucciones podrá ocasionar heridas graves, una descarga eléctrica y/o un incendio.

Guarde todas las advertencias e instrucciones para futuras referencias.

Por su propia seguridad y la utilización y el mantenimiento apropiados de la herramienta, lea este manual de instrucciones antes de utilizar la herramienta.

Seguridad general

- No permita utilizar la herramienta a personas no instruidas.
- No haga payasadas con la herramienta. Respete la herramienta como implemento de trabajo.
- No utilice la herramienta bajo la influencia de alcohol, drogas o sustancias parecidas.
- No altere nunca la herramienta.

Equipos de protección personal

- Póngase siempre gafas de seguridad para proteger sus ojos del polvo o heridas producidas por los clavos o las grapas.

⚠ ADVERTENCIA: Es responsabilidad del patrón hacer cumplir al operario y a otras personas cerca del área de trabajo el uso del equipo de seguridad para la protección de los ojos.

Para Australia y Nueva Zelanda solamente

Póngase siempre gafas de seguridad y pantalla facial para proteger sus ojos del polvo o heridas producidas por los clavos o grapas. Las gafas de seguridad y la pantalla facial deberán satisfacer los requisitos de las normas AS/NZS 1336. **(Fig. 1)**

- Utilice protección auditiva para proteger sus oídos contra el ruido y protéjase también la cabeza. Póngase también ropa ligera pero no holgada. Las mangas deberán estar abotonadas o arremangadas. No se deberá utilizar corbata.

Seguridad en el área de trabajo

- Mantenga el área de trabajo limpia y bien iluminada. Las áreas de trabajo atestadas u oscuras son una invitación a accidentes.

- No utilice la herramienta en atmósferas explosivas, tal como en la presencia de líquidos, gases o polvo inflamables. La utilización de la herramienta puede crear chispas que podrán prender fuego al polvo o los humos.
- Mantenga a los niños y transeúntes alejados mientras utiliza la herramienta. Las distracciones le pueden hacer perder el control.
- Ilumine el área de trabajo suficientemente.
- Podrá haber reglamentos locales concernientes al ruido que habrá que cumplir manteniendo los niveles de ruido dentro de los límites establecidos. En ciertos casos, se deberán utilizar celosías, etc., para contener el ruido.

Dispositivos de seguridad

- Antes de la operación asegúrese de que todos los sistemas de seguridad están en condiciones de funcionamiento. La herramienta no deberá funcionar si solamente se aprieta el gatillo o si solamente se presiona el brazo de contacto contra la madera. Solamente deberá funcionar cuando se realicen ambas acciones. Haga una prueba sin clavos o grapas cargados y el empujador en la posición totalmente presionada para ver si hay algún posible fallo de funcionamiento.
- No juegue con el elemento de contacto: este previene la descarga accidental, por lo que se deberá mantener puesto y no quitarlo. También es muy peligroso el sujetar el gatillo en la posición ON (activado). No intente nunca atar el gatillo. No utilice la herramienta si cualquier porción de los controles de operación de la herramienta está inoperable, desconectada, alterada, o no funciona correctamente.
- No intente mantener el elemento de contacto presionado con cinta o alambre. Podrá ocasionarle la muerte o heridas graves.
- Compruebe siempre el elemento de contacto como se indica en este manual. Los clavos o grapas podrán dispararse accidentalmente si el mecanismo de seguridad no funciona correctamente.

Para cargar clavos o grapas

- No cargue clavos o grapas en la herramienta estando cualquiera de los controles de operación activado.
- Utilice solamente los clavos o grapas especificados en este manual. La utilización de otros clavos o grapas podrá ocasionar un mal funcionamiento de la herramienta.

Fuente de alimentación

- No conecte nunca la herramienta a una línea de aire comprimido donde la presión de aire pueda exceder el 10% de la gama de presión de aire apropiada de la herramienta, especificada en la tabla de "ESPECIFICACIONES". Asegúrese de que la presión suministrada por el sistema de aire comprimido no exceda la gama de presión de aire apropiada de la herramienta. Ajuste la presión de aire inicialmente al valor más bajo de la gama de presión de aire apropiada.
- Utilice la herramienta a la presión más baja requerida para la tarea a realizar, con objeto de evitar niveles de ruido innecesariamente altos, aumentar el desgaste de la herramienta y los fallos consiguientes.

- No utilice nunca la herramienta con nada que no sea aire comprimido. Si se utiliza gas (dióxido de carbono, oxígeno, nitrógeno, hidrógeno, aire, etc.) o gas combustible (hidrógeno, propano, acetileno, etc.) embotellado como fuente de accionamiento para esta herramienta, la herramienta explotará y ocasionará graves heridas.
- Desconecte siempre la manguera de aire y extraiga todos los clavos o grapas:
 - cuando deje la herramienta sin atender;
 - antes de realizar cualquier mantenimiento o reparación;
 - antes de despejar un atasco;
 - antes de mover la herramienta a un nuevo lugar.
- Utilice solamente el aceite para herramientas neumáticas especificado en este manual.

Seguridad de operación

- Compruebe siempre la herramienta antes de la operación para ver su condición general y si hay tornillos sueltos. Apriete según se requiera.
- Maneje la herramienta con cuidado, ya que dentro de la herramienta hay una presión muy alta que puede ser peligrosa si se produce una grieta debido a un manejo brusco (dejando caer o golpeando la herramienta). No intente grabar ni esculpir en la herramienta.
- Pare inmediatamente la operación si nota algo incorrecto o fuera de lo normal en la herramienta. Una herramienta que no funcione debidamente no deberá ser utilizada.
- No apunte con el eyector a nadie de alrededor. Mantenga las manos y pies alejados del área del eyector.
- Asuma siempre que la herramienta contiene clavos o grapas.
- No apunte nunca la herramienta hacia usted ni hacia nadie tanto si contiene clavos o grapas como si no.
- No trabaje de prisa ni fuerce la herramienta. Maneje la herramienta con cuidado.
- No active la herramienta a menos que la tenga puesta firmemente contra la pieza de trabajo.
- No coja ni transporte nunca la herramienta con el dedo en el gatillo ni se la dé a alguien de esta manera. Un disparo accidental puede ocasionar heridas graves.
- No utilice nunca herramientas de accionamiento de clavadora marcadas con el símbolo de "No utilizar en andamios ni en escaleras de mano" para aplicaciones específicas, por ejemplo:
 - cuando cambiar de un lugar de clavado a otro implique la utilización de andamios, escaleras, escaleras de mano, o construcciones en forma de escalera, por ejemplo, listones de techumbres;
 - cierre de cajas o cajones;
 - colocación de sistemas de seguridad de transportes, por ejemplo, en vehículos y vagones.
- Compruebe las paredes, techos, suelos, techumbres y por el estilo con cuidado para evitar descargas eléctricas, fugas de gas, explosiones, etc., ocasionadas por el contacto con cables con corriente, conductos o tuberías de gas.
- No utilice la herramienta para sujetar cables eléctricos. No ha sido diseñada para la instalación de cables eléctricos y puede dañar el aislante de los cables eléctricos causando con ello una descarga eléctrica o riesgos de incendio.

- Observe el suelo donde pisa y mantenga su equilibrio con la herramienta. Asegúrese de que no haya nadie debajo cuando trabaje en lugares elevados, y sujete la manguera de aire para evitar peligros si se produjera un tirón o enganche repentino.
- En tejados y otros lugares elevados, clave clavos o grapas avanzando. Si clava clavos o grapas moviéndose poco a poco hacia atrás será fácil que pierda el equilibrio. Cuando clave clavos o grapas contra superficies perpendiculares, clave de arriba hacia abajo. Haciéndolo de esta forma podrá realizar la operación de clavado fatigándose menos.
- Si clava clavos o grapas equivocadamente encima de otro clavo o grapa o golpea un nudo en la madera, el clavo o grapa se torcerá o se atascará la herramienta. El clavo o grapa podrá salir lanzado y golpear a alguien, o la propia herramienta podrá reaccionar peligrosamente. Ponga los clavos o grapas con cuidado.
- No deje la herramienta cargada ni el compresor de aire bajo presión durante largo tiempo al sol. Asegúrese de que no entre polvo, arena, virutas ni materias extrañas en la herramienta en el lugar donde la deje.
- No intente nunca clavar clavos o grapas desde el interior y exterior al mismo tiempo. Los clavos o grapas podrían atravesar y/o salir disparados, presentando un grave peligro.

Servicio

- Realice la limpieza y el mantenimiento inmediatamente después de terminar el trabajo. Mantenga la herramienta en perfectas condiciones. Lubrique las partes móviles para evitar la oxidación y minimizar el desgaste relacionado con la fricción. Quite todo el polvo de dichas partes.
- Pregunte en un centro de servicio autorizado por Makita sobre la inspección periódica de la herramienta.
- Para mantener la SEGURIDAD y FIABILIDAD del producto, el mantenimiento y las reparaciones deberán ser realizados en un centro de servicio autorizado por Makita, empleando siempre repuestos Makita.

GUARDE ESTAS INSTRUCCIONES.

ADVERTENCIA:

NO deje que la comodidad o familiaridad con el producto (a base de utilizarlo repetidamente) sustituya la estricta observancia de las normas de seguridad para el producto en cuestión. El MAL USO o el no seguir las normas de seguridad establecidas en este manual de instrucciones pueden ocasionar graves heridas personales.

INSTALACIÓN

Selección de compresor (Fig. 2)

El compresor de aire deberá cumplir con los requisitos de EN60335-2-34.

Seleccione un compresor que tenga una presión y salida de aire amplias para asegurar una operación eficiente en base a costos. El gráfico muestra la relación entre la frecuencia de clavado, la presión aplicable y la salida de aire del compresor.

Así, por ejemplo, si el clavado se realiza a una frecuencia de aproximadamente 60 veces por minuto a una compresión de 0,68 MPa (6,89 bar), se requerirá un compresor con una salida de aire superior a 281 litros/minuto.

Cuando la presión del suministro de aire exceda la presión nominal de la herramienta se deberán utilizar reguladores de presión para limitar la presión de aire a la presión nominal de la herramienta. De no hacerlo, podrá resultar en heridas graves al operario de la herramienta o a personas cercanas.

Selección de la manguera de aire (Fig. 3)

Utilice una manguera de aire tan grande y corta como sea posible para asegurar una operación de clavado continua y eficiente. Con una presión de aire de 0,49 MPa (4,9 bar), se recomienda una manguera de aire con un diámetro interno superior a 8,0 mm y una longitud inferior a 20 m cuando el intervalo entre cada clavado sea de 1 segundo. Las mangueras de suministro de aire deberán tener una especificación de presión de funcionamiento mínima de 1,03 MPa (10,3 bar) o 150 por ciento de la presión máxima producida en el sistema, lo que sea más alto.

PRECAUCIÓN:

- Una salida de aire baja del compresor, o una manguera de aire larga o de diámetro más pequeño en relación con la frecuencia de clavado podrá ocasionar una disminución de la capacidad de clavado de la herramienta.

Lubricación (Fig. 4)

Para asegurar el máximo rendimiento, instale un conjunto de aire (aceitero, regulador, filtro de aire) lo más cerca posible de la herramienta. Ajuste el aceitero de forma que provea una gota de aceite cada 50 clavos.

Cuando no se utilice un conjunto de aire, engrase la herramienta con aceite para herramientas neumáticas poniendo 2 (dos) o 3 (tres) gotas en el conector de aire. Esto deberá hacerse antes y después del uso. Para una lubricación apropiada, la herramienta deberá ser disparada unas cuantas veces después de haber introducido el aceite para herramientas neumáticas. (Fig. 5)

MONTAJE

Carga de la clavadora

PRECAUCIÓN:

- Desconecte siempre la manguera antes de cargar la clavadora.

Presione la palanca de enganche y abra la puerta. Y abra la tapa del cargador. (Fig. 6)

Levante y gire la placa de apoyo de la bobina de forma que la placa de apoyo de la bobina apunte a la graduación de la longitud de los clavos que va a instalar. (Fig. 7)

Aviso:

Una placa de apoyo de la bobina posicionada incorrectamente podrá ocasionar una mala alimentación de clavos o un mal funcionamiento de la herramienta. (Fig. 8)

Ponga la bobina de clavos encima de la placa de apoyo de la bobina. Desenrolle suficientes clavos para llegar a la pinza de alimentación. Ponga el primer clavo en el canal de arrastre y el segundo en la pinza de alimentación. Ponga otros clavos desenrollados en el cuerpo del alimentador. Asegúrese de que la bobina de clavos está colocada debidamente en el cargador y cierre la tapa del cargador.

Conexión de la manguera de aire (Fig. 9)

Encaje el acoplador de aire de la manguera de aire en el conector de aire de la clavadora. Asegúrese de que el acoplador de aire quede bloqueado firmemente en posición cuando lo instale en el conector de aire. Se deberá instalar un acoplamiento de manguera en o cerca de la herramienta de tal forma que el depósito de presión se descargue al desconectar el acoplamiento de suministro de aire.

OPERACIÓN

⚠ PRECAUCIÓN:

- CON EL GATILLO APRETADO HASTA LA MITAD, puede producirse un clavado inesperado, si deja que el elemento de contacto vuelva a hacer contacto contra la pieza de trabajo u otra superficie bajo la influencia del retroimpacto. Para evitar este clavado inesperado, haga lo siguiente:
 - No ponga el elemento de contacto contra la pieza de trabajo con excesiva fuerza.
 - Apriete el gatillo completamente y manténgalo apretado durante 1–2 segundos después de clavar.
- No utilice la herramienta sin clavos. Se acortará la vida de servicio de la herramienta.
- Antes de la operación asegúrese de que todos los sistemas de seguridad están en condiciones de funcionamiento. (Fig. 10)
 - La herramienta no deberá dispararse con solo apretar el gatillo sin que el elemento de contacto esté haciendo contacto con la pieza de trabajo. (Fig. 11)
 - La herramienta no deberá dispararse con solo el elemento de contacto haciendo contacto con la pieza de trabajo sin apretar el gatillo.

Clavado de clavos (Fig. 12)

Ponga el elemento de contacto contra la pieza de trabajo y apriete el gatillo, o apriete el gatillo primero y después ponga el elemento de contacto contra la pieza de trabajo. (Fig. 13)

El primer método es para clavado intermitente, cuando desee clavar un clavo con cuidado y de forma muy precisa.

El segundo método es para clavado continuo.

Utilización del gatillo de recorrido secuencial (accesorio)

Para clavar un clavo, puede poner el elemento de contacto contra la pieza de trabajo y apretar el gatillo.

⚠ PRECAUCIÓN:

- CON EL GATILLO APRETADO HASTA LA MITAD, puede producirse un clavado inesperado, si deja que el elemento de contacto vuelva a hacer contacto contra la pieza de trabajo u otra superficie bajo la influencia del retroimpacto. Para evitar este clavado inesperado, haga lo siguiente:
 - No ponga el elemento de contacto contra la pieza de trabajo con excesiva fuerza.
 - Apriete el gatillo completamente y manténgalo apretado durante 1–2 segundos después de clavar.

Clavadora atascada

⚠ PRECAUCIÓN:

- Desconecte siempre la manguera de aire y extraiga los clavos del cargador antes de despejar un atasco. (Fig. 14)

Cuando la clavadora se atasque, haga lo siguiente:

Abra la tapa del cargador y extraiga la bobina de clavos. Inserte una varilla pequeña o similar en el eyector y golpéela ligeramente con un martillo para sacar del eyector el clavo atascado. Vuelva a poner la bobina de clavos y cierre la tapa del cargador.

MANTENIMIENTO

⚠ PRECAUCIÓN:

- Desconecte siempre la manguera de aire de la herramienta antes de intentar realizar una inspección o mantenimiento.
- No utilice nunca gasolina, bencina, disolvente, alcohol o similares. Podría resultar en descoloración, deformación o grietas.

Mantenimiento de la clavadora (Fig. 15)

Compruebe siempre la herramienta antes de la operación para ver su condición general y si hay tornillos sueltos. Apriete según se requiera.

Con la herramienta desconectada, haga una inspección diaria para asegurarse del libre movimiento del elemento de contacto y el gatillo. No utilice la herramienta si el elemento de contacto o el gatillo se traba o agarrota. (Fig. 16)

Cuando no vaya a utilizar la herramienta durante un periodo de tiempo prolongado, lubrique la herramienta utilizando aceite para herramientas neumáticas y almacénela en un lugar seguro. Evite la exposición a la luz solar directa y/o los ambientes húmedos o calurosos.

Mantenimiento del compresor, conjunto de aire y manguera de aire (Fig. 17 y 18)

Después de una operación, drene siempre el tanque compresor y el filtro de aire. Si permite que entre humedad en la herramienta, podrá resultar en un rendimiento deficiente y posible fallo de la herramienta. (Fig. 19)

Compruebe regularmente para ver si hay suficiente aceite neumático en el aceitero del conjunto de aire. Si no se mantiene una suficiente lubricación las juntas tóricas se desgastarán rápidamente. (Fig. 20)

Mantenga la manguera de aire alejada del calor (más de 60°C), alejada de sustancias químicas, ácidos fuertes o alcalinos). Además, tienda la manguera alejada de obstáculos en los que pueda engancharse peligrosamente durante la operación. Las mangueras también deberán tenderse alejadas de cantos cortantes y áreas que puedan ocasionar daños o abrasión a la manguera.

Manejo de los clavos (Fig. 21)

Maneje las bobinas de clavos y sus cajas con cuidado. Si la bobina de clavos ha sido manejada bruscamente, los clavos podrán estar deformados o sus conectores rotos y ocasionar una deficiente alimentación de clavos. (Fig. 22)

Evite almacenar clavos en un lugar muy húmedo o caluroso o lugar expuesto a la luz solar directa.

Para mantener la SEGURIDAD y FIABILIDAD del producto, las reparaciones, cualquier otro mantenimiento o ajuste deberán ser realizados en centros autorizados o servicio de Makita, empleando siempre repuestos Makita.

ACCESORIOS OPCIONALES

PRECAUCIÓN:

- Estos accesorios o acoplamientos están recomendados para utilizar con la herramienta Makita especificada en este manual. La utilización de cualquier otro accesorio o acoplamiento podrá suponer un riesgo de sufrir heridas personales. Utilice los accesorios o acoplamientos solamente para el propósito que han sido diseñados.

Si necesita cualquier tipo de asistencia para obtener más detalles en relación con estos accesorios, pregunte al centro de servicio Makita local.

- Clavos
- Mangueras de aire

NOTA:

- Algunos elementos de la lista podrán estar incluidos en el paquete de la herramienta como accesorios de serie. Pueden variar de un país a otro.

Ruido

ENG905-1

El nivel de ruido A-ponderado típico determinado de acuerdo con la norma EN792:

Nivel de presión sonora A-ponderado en el lugar de trabajo (L_{pA}): AN960: 95,7 dB (A), AN961: 97,4 dB (A)

Nivel de potencia sonora A-ponderado (L_{WA}): AN960: 96,9 dB (A), AN961: 98,0 dB (A)

Incerteza (K): 1,5 dB (A)

Póngase protección para los oídos

Vibración

ENG904-2

El valor total de vibración determinado de acuerdo con la norma EN792:

Emisión de vibración (a_h): 5,35 m/s²

Incerteza (K): 2,14 m/s²

ENG901-1

- El valor de emisión de vibración declarado ha sido medido de acuerdo con el método de prueba estándar y se puede utilizar para comparar una herramienta con otra.
- El valor de emisión de vibración declarado también se puede utilizar en una valoración preliminar de exposición.

ADVERTENCIA:

- La emisión de vibración durante la utilización real de la herramienta eléctrica puede variar del valor de emisión declarado dependiendo de las formas en las que la herramienta sea utilizada.
- Asegúrese de identificar medidas de seguridad para proteger al operario que estén basadas en una estimación de la exposición en las condiciones reales de utilización (teniendo en cuenta todas las partes del ciclo operativo tal como las veces cuando la herramienta está apagada y cuando está funcionando en vacío además del tiempo de gatillo).

Para países europeos solamente

Declaración de conformidad CE

Makita Corporation como fabricante responsable declara que la(s) siguiente(s) máquina(s) Makita:

Designación de máquina:

Clavadora Neumática para Pallets

Modelo N.º/Tipo: AN960, AN961

son producidas en serie y

Cumplen con las directivas europeas siguientes:
2006/42/CE

Y que están fabricadas de acuerdo con las normas o documentos normalizados siguientes:
EN792

Los documentos técnicos los guarda:

Makita International Europe Ltd.

Departamento técnico,

Michigan Drive, Tongwell,

Milton Keynes, Bucks MK15 8JD, Inglaterra

29.11.2013



Tomoyasu Kato
Director

Makita Corporation
3-11-8, Sumiyoshi-cho,
Anjo, Aichi, 446-8502, JAPAN

Objaśnienia do widoku ogólnego

- | | | |
|-----------------------------------|--------------------------------|-----------------------|
| 1 Okulary ochronne | 9 Wspornik zwoju | 19 Filtr powietrza |
| 2 Osłona twarzy | 10 Oznaczenie rozmiaru | 20 Olejarka |
| 3 Wydajność minutowa kompresora | 11 Zaczep podający | 21 Olej pneumatyczny |
| 4 Częstotliwość wbijania gwoździ | 12 Kanał prowadzący | 22 Rozpuszczalnik |
| 5 Olej do narzędzi pneumatycznych | 13 Złącze pneumatyczne | 23 Piec |
| 6 Pokrywa magazynka | 14 Gniazdo węża pneumatycznego | 24 Gwóźdź |
| 7 Dźwignia zatrasku | 15 Spust | 25 Wilgoć |
| 8 Drzwiczki | 16 Młotek | 26 Wysoka temperatura |
| | 17 Niewielki dobijak | |
| | 18 Zawór spustowy | |

DANE TECHNICZNE

Model	AN960	AN961
Ciśnienie powietrza	0,49 – 0,83 MPa (4,9 – 8,3 bara)	0,49 – 0,83 MPa (4,9 – 8,3 bara)
Pasujące gwoździe	Gwoździe koletowane 57 mm – 100 mm	Gwoździe koletowane 55 mm – 100 mm
Pojemność magazynka	225 – 300 szt.	225 – 300 szt.
Wymiary (dł. × wys. × szer.)	338 mm × 153 mm × 418 mm	338 mm × 153 mm × 418 mm
Min. średnica węża	8,0 mm	8,0 mm
Olej pneumatyczny	Olej do turbin	Olej do turbin
Masa netto	5,1 kg	5,3 kg

- Ze względu na stale prowadzone prace badawczo-rozwojowe podane tu dane techniczne mogą ulec zmianie bez powiadomienia.
- W różnych krajach urządzenie może mieć odmienne parametry techniczne.
- Masa urządzenia została obliczona zgodnie z procedurą EPTA 01/2003

Symbole

Poniżej przedstawiono symbole związane z urządzeniem. Należy zrozumieć ich znaczenie przed rozpoczęciem pracy.



- Zapoznać się z instrukcją obsługi.



- Używać okularów ochronnych.



- Nie używać na rusztowaniach ani drabinach.

Przeznaczenie

Narzędzie jest przeznaczone do produkcji palet i skrzyń drewnianych.

Ostrzeżenia dla użytkowników pneumatycznej gwoździarki/pneumatycznego zszywacza

⚠ OSTRZEŻENIE Zapoznać się ze wszystkimi zasadami bezpieczeństwa i zaleceniami. Zignorowanie opisanych zasad i zaleceń może być przyczyną poważnego urazu, porażenia prądem elektrycznym i (albo) pożaru.

Wszystkie ostrzeżenia i zalecenia należy zachować do wglądu na przyszłość.

Zapoznać się z niniejszą instrukcją obsługi, aby zapewnić bezpieczeństwo użytkownika, właściwe działanie narzędzia i jego prawidłową konserwację.

Ogólne zasady bezpieczeństwa

- Osoby nieprzeszkolone nie mogą obsługiwać narzędzia.
- Narzędzie nie jest zabawką. Należy je traktować jako pomoc ułatwiającą pracę.
- Nie obsługiwać narzędzia po spożyciu alkoholu, pod wpływem leków wpływających na świadomość lub podobnie działających substancji.
- Nie modyfikować narzędzia.

Środki ochrony indywidualnej

- Zawsze korzystać z okularów ochronnych, aby zabezpieczyć oczy przed pyłem i możliwością zranienia przez urządzenie.

⚠ OSTRZEŻENIE: Obowiązkiem pracodawcy jest egzekwowanie konieczności stosowania środków ochrony oczu przez operatora narzędzia oraz przez inne osoby pracujące w pobliżu.

Dotyczy Australii i Nowej Zelandii

Zawsze korzystać z okularów ochronnych i osłony twarzy, aby zabezpieczyć oczy przed pyłem i możliwością zranienia przez urządzenie. Okulary ochronne oraz osłona twarzy powinny spełniać wymogi normy AS/NZS 1336. **(Rys. 1)**

- Korzystać z kasku ochronnego oraz stosować środki ochrony słuchu przed hałasem powodowanym przez narzędzie. Do pracy nosić lekką, ale nie luźną odzież. Rękawy powinny być zapięte lub podwinięte. Nie można pracować w krawacie.

Bezpieczeństwo w miejscu pracy

- W miejscu pracy należy utrzymywać czystość i zadbać o dobre oświetlenie. Nieporządek bądź słabe oświetlenie sprzyjają wypadkom.

- Narzędzia nie wolno używać w miejscach zagrożonych wybuchem, na przykład w pobliżu łatwopalnych cieczy, gazów lub pyłów. Narzędzie podczas pracy może wytwarzać iskry, które mogą spowodować zapalenie się pyłu lub oparów.
- Nie uruchamiać narzędzia, gdy w pobliżu znajdują się dzieci lub osoby postronne. Rozproszenie uwagi może spowodować utratę kontroli nad narzędziem.
- Zadbaj o należyte oświetlenie miejsca pracy.
- Przepisy lokalne mogą definiować poziom dopuszczalnego hałasu. W niektórych sytuacjach może być konieczne stosowanie żaluzji tłumiących hałas narzędzia.

Zabezpieczenia

- Przed rozpoczęciem pracy należy upewnić się, że wszystkie zabezpieczenia są sprawne. Narzędzie nie może uruchomić się, jeżeli został naciśnięty tylko spust lub jeżeli tylko dociśnięto stopkę do podłoża. Uruchomienie narzędzia jest możliwe tylko wtedy, gdy zostaną wykonane obie te czynności. Sprawdzić ewentualne wady działania przy rozładowanym magazynku i przy odciągniętym popychaczu.
- Nie modyfikować stopki dociskowej. Chroni ona przed przypadkowym wystrzeleniem, dlatego musi stale być założona. Blokowanie spustu w pozycji włączonej (ON) również jest bardzo niebezpieczne. Nie podejmować prób zablokowania spustu. Nie obsługiwać narzędzia, jeżeli jakiegokolwiek elementy sterujące jego pracą są niesprawne, odłączone, zmienione lub działają nieprawidłowo.
- Nie blokować stopki dociskowej przylepcem lub czymkolwiek innym. Może to być przyczyną śmierci lub poważnego urazu.
- Stopkę dociskową należy kontrolować zgodnie z procedurą opisaną w tej instrukcji. Jeżeli mechanizm zabezpieczający nie funkcjonuje prawidłowo, może dojść do przypadkowego wystrzelenia zszywki.

Wkładanie zszywek

- Nie wkładać zszywek do narzędzia, jeżeli jest aktywny choć jeden element spustowy.
- Stosować wyłącznie zszywki o parametrach podanych w niniejszej instrukcji. Stosowanie zszywek innego typu może być przyczyną awarii narzędzia.

Zasilanie

- Nie podłączać narzędzia do instalacji sprężonego powietrza, w której ciśnienie może przekroczyć o 10% wartość dopuszczalną dla narzędzia, podaną w tabeli „DANE TECHNICZNE”. Upewnić się, że ciśnienie powietrza doprowadzanego z instalacji nie przekroczy wartości dopuszczalnej dla narzędzia. Początkowe ciśnienie powietrza powinno odpowiadać dolnej wartości dopuszczalnego zakresu ciśnień.
- Narzędzie powinno pracować z najniższym ciśnieniem wymaganym do aktualnej pracy, aby uniknąć zbędnego hałasu, zwiększonego zużycia i ryzyka awarii.
- Nigdy nie zasilaj narzędzia gazem innym niż sprężone powietrze. Jeżeli do zasilania narzędzia będzie używany sprężony gaz z butli (dwutlenek węgla, tlen, azot, wodór, powietrze itp.) lub jakiegokolwiek gaz palny (wodór, propan, acetylen itp.), nastąpi eksplozja narzędzia, prowadząca do bardzo poważnych urazów.
- Przed wykonaniem poniższych czynności trzeba odłączyć wąż pneumatyczny i wyjąć wszystkie zszywki:
 - gdy narzędzie jest pozostawione bez nadzoru;
 - przed konserwacją lub naprawą narzędzia;

- przed usuwaniem zacięcia;
- przed przeniesieniem narzędzia na nowe miejsce pracy.
- Stosować wyłącznie olej do narzędzi pneumatycznych o parametrach podanych w niniejszej instrukcji.

Bezpieczeństwo eksploatacji

- Przed rozpoczęciem pracy zawsze trzeba sprawdzić ogólny stan narzędzia oraz upewnić się, że żadne śruby nie są poluzowane. W razie konieczności dokręcić je.
- Z narzędziem należy obchodzić się ostrożnie, ponieważ obecne w nim wysokie ciśnienie może być niebezpieczne w razie pęknięcia obudowy na skutek nieuwagi (upuszczenia lub uderzenia). Nie można rzeźbić ani grawerować napisów na narzędziu.
- Natychmiast przerwać pracę, jeżeli narzędzie zacznie wykazywać nietypowe lub niepokojące objawy. Nie wolno używać narzędzia, które działa nieprawidłowo.
- Otworu wylotowego narzędzia nie wolno kierować w stronę osób znajdujących się w pobliżu. Ręce i stopy należy trzymać z dala od otworu wylotowego.
- Trzeba zawsze zakładać, że w narzędziu znajdują się zszywki.
- Narzędzia nie wolno kierować w swoją stronę ani w stronę innych osób niezależnie od tego, czy znajdują się w nim zszywki.
- Nie śpieszyć się podczas pracy ani nie przeciążać narzędzia. Należy obchodzić się z nim ostrożnie.
- Nie uruchamiać narzędzia, jeżeli nie jest ono solidnie oparte o zszywane podłoże.
- Nie trzymać, nie przenosić ani nie przekazywać innej osobie narzędzia, trzymając palec na spuście. Pr przypadkowe wystrzelenie może być przyczyną poważnych obrażeń.
- Nie wolno używać zszywaczy z oznaczeniem „Nie używać na rusztowaniach ani drabinach” w określonych sytuacjach, na przykład:
 - jeżeli zmiana miejsca wbijania zszywek wymaga użycia rusztowania, schodów, drabiny lub podobnych konstrukcji, na przykład łat dachowych;
 - do zamykania pudeł lub skrzyń;
 - do mocowania zabezpieczeń transportowych, na przykład w samochodach lub wagonach.
- Dokładnie sprawdzić ściany, sufit, podłogi, poszycie dachu, aby uniknąć porażenia prądem elektrycznym, wycieku gazu, wybuchu itp. w razie przebicia przewodów pod napięciem lub rur gazowych.
- Nie używać narzędzia do mocowania kabli elektrycznych. Nie jest ono przystosowane do pracy z kablami w instalacjach elektrycznych i może spowodować uszkodzenie izolacji, co grozi porażeniem prądem elektrycznym lub stwarza zagrożenie pożarowe.
- Uważać na stopy i zachować równowagę podczas pracy z narzędziem. Podczas pracy na wysokości upewnić się, że nikt nie znajduje się poniżej narzędzia. Wąż pneumatyczny zabezpieczyć w taki sposób, aby uniknąć zagrożenia w razie niespodziewanego szarpnięcia lub zaczepienia.
- Podczas pracy na dachach i w innych miejscach na wysokościach należy podczas wbijania zszywek posuwać się do przodu. Cofając się podczas pracy można łatwo stracić punkt oparcia dla stóp. Podczas wbijania zszywek w powierzchnię pionową należy posuwać się z góry do dołu. Pozwoli to uniknąć nadmiernego zmęczenia.

- Zszywka wystrzelona w inną zszywkę lub w sęk w drewnie wygnie się lub dojdzie do zacięcia narzędzia. Zszywka może też odbić się i uderzyć kogoś lub narzędzie może zareagować w niebezpieczny sposób. Miejsce wbijania zszywek należy starannie dobierać.
- Naładowanego narzędzia ani kompresora nie można zostawiać na dłuższy czas w bezpośrednim świetle słonecznym. Należy zadbać o to, aby w miejscu, gdzie jest odkładane narzędzie, nie dostały się do niego zanieczyszczenia takie jak kurz, piach, wióry ani żadne inne.
- Nie wbijać zszywek jednocześnie z obu stron przedmiotu. Zszywki mogą przebić powierzchnię i odskoczyć, powodując poważne zagrożenie.

Serwisowanie

- Czyszczenie i konserwację trzeba wykonać od razu po zakończeniu pracy. Narzędzie powinno być przechowywane w stanie idealnym. Części ruchome należy smarować, aby zapobiec rdzewieniu i ograniczyć zużycie na skutek tarcia. Ze wszystkich części narzędzia trzeba usuwać kurz.
- Okresowe przeglądy narzędzia należy zlecać w autoryzowanym serwisie firmy Makita.
- Aby zapewnić **BEZPIECZEŃSTWO** i **NIEZAWODNOŚĆ** narzędzia, wszelkie prace konserwacyjne i naprawy powinny być wykonane przez autoryzowane punkty serwisowe firmy Makita z użyciem oryginalnych części zamiennych firmy Makita.

ZACHOWAĆ INSTRUKCJĘ OBSŁUGI.

⚠ OSTRZEŻENIE:

NIE WOLNO pozwolić, aby wygoda lub rutyna (nabyte w wyniku wielokrotnego używania narzędzia) miały pierwszeństwo przed bezwzględnym przestrzeganiem zasad bezpiecznej obsługi. **NIEWŁAŚCIWE UŻYTKOWANIE** narzędzia lub ignorowanie zasad bezpieczeństwa opisanych w niniejszej instrukcji obsługi może prowadzić do poważnych obrażeń ciała.

INSTALACJA

Wybór kompresora (Rys. 2)

Używany kompresor musi być zgodny z normą EN60335-2-34.

Należy dobrać taki kompresor, który dysponuje ciśnieniem i wydajnością wystarczającymi do ekonomicznej eksploatacji narzędzia. Na wykresie pokazano zależność między częstością wbijania gwoździ, ciśnieniem i wydajnością kompresora.

Jeżeli, na przykład, wbijanie gwoździ odbywa się z częstotliwością 60 razy na minutę przy ciśnieniu 0,68 MPa (6,89 bara), wówczas wydajność kompresora powinna wynosić co najmniej 281 l/min.

Jeżeli ciśnienie zasilania przekracza wartość nominalną ciśnienia zasilania narzędzia, należy stosować reduktory ciśnienia. W przeciwnym razie może dojść do poważnego urazu operatora lub osób przebywających w pobliżu.

Wybór węża pneumatycznego (Rys. 3)

Zastosować wąż pneumatyczny o maksymalnym przekroju i minimalnej długości, aby zapewnić ciągłą i wydajną pracę narzędzia. Przy ciśnieniu powietrza równym 0,49 MPa (4,9 bara) wąż pneumatyczny powinien mieć średnicę wewnętrzną nie mniejszą od 8,0 mm i długość nie większą od 20 m, jeżeli czas między kolejnymi strzałami wynosi 1 sekundę. Wężę pneumatyczne powinny wytrzymywać ciśnienie 1,03 MPa (10,3 bara) lub odpowiadające 150% maksymalnego ciśnienia w instalacji, zależnie od tego, która z tych wartości jest większa.

⚠ OSTROŻNIE:

- Niska wydajność kompresora lub zbyt długi wąż albo za mały jego przekrój przy dużej częstotliwości wystrzałów mogą prowadzić do spadku wydajności narzędzia.

Smarowanie (Rys. 4)

Celem zapewnienia maksymalnej wydajności należy zespół filtrujący (olejarka, reduktor i filtr powietrza) zainstalować jak najbliżej narzędzia. Wyregulować olejarkę w taki sposób, aby podawał jedną kroplę oleju co 50 wystrzałów.

Jeżeli zespół filtrujący nie jest stosowany, należy naoliwić narzędzie, umieszczając 2 (dwie) – 3 (trzy) krople oleju w złączu pneumatycznym. Czynność tę należy wykonać przed pracą i po jej zakończeniu. Właściwe smarowanie będzie zapewnione, jeżeli po wprowadzeniu oleju użytkownik kilka razy włączy narzędzie. (Rys. 5)

MONTAŻ

Ładowanie gwoździ

⚠ OSTROŻNIE:

- Odłączyć wąż pneumatyczny przed ładowaniem narzędzia.

Nacisnąć dźwignię zwalniającą i otworzyć drzwiczki. Następnie otworzyć pokrywkę magazynka. (Rys. 6) Unieść i przekręcić wspornik zwoju w taki sposób, aby wskazywał rozmiar ładowanych gwoździ. (Rys. 7)

Przeostroga:

Niewłaściwie ustawiony wspornik zwoju może być przyczyną problemów z podawaniem gwoździ lub awarii narzędzia. (Rys. 8)

Nałożyć zwój gwoździ na wspornik zwoju. Odwinąć odcinek zwoju na tyle, aby sięgnął do zaczepu podającego. Pierwszy gwoździe umieścić w kanale prowadzącym, a drugi w zaczepie podającym. Pozostałe gwoździe z odwiniętego odcinka umieścić na korpusie podajnika. Upewnić się, że zwój gwoździ jest prawidłowo ułożony w magazynku i zamknąć pokrywkę magazynka.

Podłączanie węża pneumatycznego (Rys. 9)

Podłączyć gniazdo węża pneumatycznego do złącza pneumatycznego w narzędziu. Upewnić się, że gniazdo jest prawidłowo zatrzaśnięte na złączu. Złącze węża musi być zainstalowane na narzędziu lub w pobliżu niego w taki sposób, aby akumulator ciśnienia rozprężył się podczas odłączania zasilania pneumatycznego.

UŻYTKOWANIE

⚠ OSTROŻNIE:

- JEŻELI SPUST JEST WCIŚNIĘTY DO POŁOWY, może nastąpić niespodziewane wystrzelenie gwoźdź, gdy na skutek odrzutu stopka dociskowa ponownie dotknie przedmiotu lub innej powierzchni. Aby uniknąć nieoczekiwanych wystrzałów, należy zachować następujące środki ostrożności:
 - Nie dociskać stopki dociskowej do przedmiotu ze zbyt dużą siłą.
 - Docisnąć spust do oporu i po wystrzale przytrzymać go przez 1 – 2 sekundy.
- Nie uruchamiać narzędzia bez gwoździ. Powoduje to skrócenie jego żywotności.
- Przed rozpoczęciem pracy należy upewnić się, że wszystkie zabezpieczenia są sprawne. **(Rys. 10)**
 - Naciśnięcie spustu bez dociśnięcia stopki do przedmiotu nie może spowodować uruchomienia narzędzia. **(Rys. 11)**
 - Dociśnięcie stopki bez naciśnięcia spustu nie może spowodować uruchomienia narzędzia.

Wbijanie gwoździ (Rys. 12)

Przyłożyć stopkę dociskową do przedmiotu i nacisnąć spust lub najpierw nacisnąć spust i przyłożyć stopkę do przedmiotu. **(Rys. 13)**

Pierwszy sposób nadaje się do wbijania przerywanego, gdy trzeba gwoździe wbijać ostrożnie i bardzo dokładnie. Druga metoda nadaje się do wbijania ciągłego.

Korzystanie ze spustu sekwencyjnego (akcesoria)

W celu wbicia gwoźdź można przyłożyć stopkę dociskową do przedmiotu i nacisnąć spust.

⚠ OSTROŻNIE:

- JEŻELI SPUST JEST WCIŚNIĘTY DO POŁOWY, może nastąpić niespodziewane wystrzelenie gwoźdź, gdy na skutek odrzutu stopka dociskowa ponownie dotknie przedmiotu lub innej powierzchni. Aby uniknąć nieoczekiwanych wystrzałów, należy zachować następujące środki ostrożności:
 - Nie dociskać stopki dociskowej do przedmiotu ze zbyt dużą siłą.
 - Docisnąć spust do oporu i po wystrzale przytrzymać go przez 1 – 2 sekundy.

Zacięcie narzędzia

⚠ OSTROŻNIE:

- Przed przystąpieniem do usuwania zacięcia zawsze trzeba odłączyć wąż pneumatyczny i wyjąć gwoździe z magazynka. **(Rys. 14)**

W razie zacięcia narzędzia należy wykonać następujące czynności:

Otworzyć pokrywkę magazynka i wyjąć zwój gwoździ. Wsunąć mały dobijak lub podobny przedmiot do otworu wyrzutowego i stuknąć młotkiem, aby wybić zacięty gwoździe z otworu. Włożyć zwój gwoździ i zamknąć pokrywkę magazynka.

KONSERWACJA

⚠ OSTROŻNIE:

- Przed przystąpieniem do przeglądu lub konserwacji narzędzia zawsze trzeba odłączyć wąż pneumatyczny.
- Nie wolno stosować benzyny, rozpuszczalników, alkoholu ani innych środków o zbliżonych właściwościach. Substancje te mogą spowodować odbarwienia, odkształcenia lub pęknięcia.

Konserwacja narzędzia (Rys. 15)

Przed rozpoczęciem pracy zawsze trzeba sprawdzić ogólny stan narzędzia oraz upewnić się, że żadne śruby nie są poluzowane. W razie konieczności dokręcić je.

Codziennie należy odłączyć narzędzie od zasilania i sprawdzić, czy stopka dociskowa i spust poruszają się swobodnie. Nie korzystać z narzędzia, jeżeli stopka dociskowa lub spust zacina się. **(Rys. 16)**

Jeżeli narzędzie nie będzie używane przez dłuższy czas, należy je nasmarować olejem do narzędzi pneumatycznych i przechowywać w bezpiecznym miejscu. Należy unikać miejsc z bezpośrednim nasłonecznieniem i (albo) wilgotnych i gorących.

Konserwacja kompresora, zespołu filtrującego i węża pneumatycznego (Rys. 17 i 18)

Po zakończeniu pracy należy zawsze usunąć kondensat ze zbiornika kompresora i z filtra powietrza. Wilgoć, która dostanie się do narzędzia, może być przyczyną zmniejszenia jego wydajności i awarii. **(Rys. 19)**

Regularnie sprawdzać, czy w olejance zespołu filtracyjnego znajduje się odpowiednia ilość oleju. Nieodpowiednie smarowanie jest przyczyną bardzo szybkiego zużycia pierścieni uszczelniających. **(Rys. 20)** Wąż pneumatyczny należy trzymać z dala od miejsc o wysokiej temperaturze (ponad 60°C) oraz z dala od substancji chemicznych (roztworzywniki, silne kwasy lub zasady). Wąż należy także poprowadzić z dala od przeszkód, które podczas pracy mogłyby niebezpiecznie go chwycić oraz z dala od ostrych krawędzi i miejsc, w których mogłyby zostać uszkodzone lub przetarte.

Gwoździe i obchodzenie się z nimi (Rys. 21)

Ze zwojami gwoździ i z ich opakowaniem należy obchodzić się ostrożnie. Nieostrożne postępowanie może doprowadzić do odkształcenia gwoździ lub do przerwania ich łączników, co utrudnia podawanie gwoździ. **(Rys. 22)**

Unikać przechowywania gwoździ w bardzo wilgotnym lub gorącym miejscu albo w miejscu narażonym na bezpośrednie światło słoneczne.

Aby zapewnić BEZPIECZEŃSTWO i NIEZAWODNOŚĆ narzędzia, wszelkie naprawy, prace konserwacyjne i regulacje powinny być przeprowadzane przez autoryzowane punkty serwisowe firmy Makita, zawsze z użyciem części zamiennych firmy Makita.

WYPOSAŻENIE DODATKOWE

⚠ OSTROŻNIE:

- Zaleca się stosowanie następujących akcesoriów lub przystawek z narzędziem Makita opisanym w niniejszej instrukcji. Stosowanie innych akcesoriów lub przystawek grozi wypadkiem. Akcesoria lub przystawki należy wykorzystywać tylko zgodnie z przeznaczeniem.

Więcej informacji szczegółowych na temat opisywanego wyposażenia dodatkowego można uzyskać w lokalnym punkcie serwisowym narzędzi Makita.

- Gwoździe
- Węże pneumatyczne

UWAGA:

- Niektóre z pozycji mogą być dołączone do opakowania narzędzia jako wyposażenie standardowe. Wyposażenie standardowe może się różnić w zależności od kraju.

ENG905-1

Hałas

Typowy poziom natężenia hałasu skorygowany charakterystyką „A”, określony zgodnie z normą EN792:

Poziom ciśnienia akustycznego w stanowisku pracy skorygowany charakterystyką „A” (L_{pA}):
AN960: 95,7 dB (A), AN961: 97,4 dB (A)

Poziom mocy akustycznej skorygowany charakterystyką „A” (L_{WA}): AN960: 96,9 dB (A), AN961: 98,0 dB (A)

Niepewność (K): 1,5 dB (A)

Należy używać środków ochrony słuchu

ENG904-2

Drgania

Całkowita wartość drgań ustalona na podstawie normy EN792:

Emisja drgań (a_h): 5,35 m/s²

Niepewność (K): 2,14 m/s²

ENG901-1

- Deklarowana wartość wytwarzanych drgań została zmierzona przy użyciu standardowej metody testowej i można ją wykorzystać do porównywania narzędzi.
- Deklarowaną wartość wytwarzanych drgań można także wykorzystać we wstępnej ocenie narażenia.

⚠ OSTRZEŻENIE:

- Drgania wytwarzane podczas rzeczywistego użytkownika elektronarzędzia mogą się różnić od wartości deklarowanej w zależności od sposobu jego użytkownika.
- W oparciu o szacowane narażenie w rzeczywistych warunkach eksploatacji należy określić środki bezpieczeństwa w celu ochrony operatora (uwzględniając wszystkie elementy cyklu działania, tj. czas, kiedy narzędzie jest wyłączone i kiedy pracuje na biegu jałowym, a także czas, kiedy jest włączone).

Dotyczy tylko krajów europejskich

Deklaracja zgodności WE

Niniejszym firma Makita Corporation, jako odpowiedzialny producent, oświadcza, że opisywane urządzenie marki Makita:

Oznaczenie urządzenia:

Pneumatyczna gwoździarka do palet

Nr modelu/typ: AN960, AN961

są produkowane seryjnie oraz

spełniają następujące dyrektywy europejskie:

2006/42/WE

i są produkowane zgodnie z następującymi normami lub dokumentami normalizacyjnymi:

EN792

Dokumentacja techniczna jest przechowywana przez:

Makita International Europe Ltd.

Technical Department,

Michigan Drive, Tongwell,

Milton Keynes, Bucks MK15 8JD, Wielka Brytania

29.11.2013



Tomoyasu Kato

Dyrektor

Makita Corporation

3-11-8, Sumiyoshi-cho,

Anjo, Aichi, 446-8502, JAPAN

Üldise ülesehituse selgitus

1 Kaitseprillid	9 Rulli alusplaat	18 Äravoolukraan
2 Näokaitse	10 Mõõdutähised	19 Õhufilter
3 Kompressori väljalaskeõhu maht minutis	11 Söötehaarats	20 Õlitusseade
4 Naelutamissagedus	12 Löögikanal	21 Pneumoõli
5 Pneumotööriista õli	13 Suruõhuliitmik	22 Lahusti
6 Magasini kaas	14 Suruõhuvooliku otsak	23 Küttekeha
7 Riivi hoob	15 Päästik	24 Nael
8 Luuk	16 Vasar	25 Niiske
	17 Väike torn	26 Kuum

TEHNILISED ANDMED

Mudel	AN960	AN961
Õhurõhk	0,49–0,83 MPa (4,9–8,3 baari)	0,49–0,83 MPa (4,9–8,3 baari)
Naela pikkus	Keevistraatnaelad 57–100 mm	Keevistraatnaelad 55–100 mm
Magasini maht	225–300 naela	225–300 naela
Mõõtmed (P × K × L)	338 mm × 153 mm × 418 mm	338 mm × 153 mm × 418 mm
Vooliku min läbimõõt	8,0 mm	8,0 mm
Pneumoõli	Turbiiniõli	Turbiiniõli
Netomass	5,1 kg	5,3 kg

- Meie pidevalt jätkuva uurimis- ja arendusprogrammi tõttu võidakse siin toodud tehnilisi andmeid ette teatamata muuta.
- Tehnilised andmed võivad olla riigiti erinevad.
- Mass mõõdetud vastavalt EPTA protseduurile 01.2003

Sümbolid

Järgnevalt on toodud seadmete juures kasutatavad sümbolid. Enne kasutamist veenduge, et olete teadlik sümbolite tähendusest.



- Lugege kasutusjuhendit.



- Kandke kaitseprille.



- Ärge kasutage tellingutel, redelitel.

Kasutusotstarve

Tööriist on mõeldud kaubaaluste ja puitkastide valmistamiseks.

Pneumaatilise naelapüstoli/klambriööja turvahoiatused

⚠ HOIATUS: lugege läbi kõik hoiatused ja juhised. Hoiatuste või juhiste eiramine võib põhjustada tõsise vigastuse, elektrilöögi ja/või tulekahju.

Hoidke kõik hoiatused ja juhised alles hilisemaks kasutamiseks.

Isikliku ohutuse ning tööriista nõuetekohase töö ja hoolduse tagamiseks lugege käesolev juhend enne tööriista kasutamist läbi.

Üldohutus

- Ärge lubage tööriista kasutada isikutel, keda pole vastavalt juhendatud.
- Ärge mängige tööriistaga. Suhtuge tööriista kui töövahendisse.

- Ärge kasutage tööriista alkoholi, medikamentide vms mõju all.
- Ärge kunagi modifitseerige tööriista.

Isikukaitsevarustus

- Kandke alati kaitseprille, et kaitsta silmi tolmu ja kinnitite põhjustatavate vigastuste eest.

⚠ HOIATUS: tööandja kohuseks on tagada, et tööriista kasutajad ja teised vahetult tööalal viibivad isikud kannavad silmakaitsevahendeid.

Ainult Austraalias ja Uus-Meremaal

Kandke alati kaitseprille ja näokaitset, et kaitsta silmi tolmu ja kinnitite põhjustatavate vigastuste eest. Kaitseprillid ja näokaitse peavad vastama standardi AS/NZS 1336 nõuetele. **(Joonis 1)**

- Kandke müra eest kaitsvat kuulmiskaitset ja peakaitset. Kandke kerget, kuid mitte lohvakat riietust. Käised peavad olema kinni nõõbitud või üles kääritud. Lipsu ei tohi kanda.

Töökoht ohutus

- Töökoht peab olema puhas ja hästi valgustatud. Segamini ja pimedad alad soodustavad õnnetusi.
- Ärge kasutage tööriista plahvatusohtlikus keskkonnas, nt tuleohtlike vedelike, gaaside või tolmu läheduses. Tööriista kasutamine võib tekitada sädemeid, mis võivad süüdata tolmu või aurud.
- Ärge lubage tööriista kasutamise ajal lähedusse lapsi ega kõrvalseisjaid. Häirivad asjaolud võivad põhjustada kontrolli kaotamise tööriista üle.
- Valgustage töökohta piisavalt.
- Müratasemete suhtes võivad kehtida kohalikud eeskirjad, mida tuleb kindlasti järgida, hoides mürataseme ettenähtud piirides. Teatud juhtudel tuleb müra summutamiseks kasutada sirme.

Ohutusseadeldised

- Enne töö alustamist veenduge, et kõik ohutussüsteemid on töökorras. Tööriist ei tohi tööle hakata ainult päästiku vajutamisel või ainult kontaktotsaku surumisel puidu vastu. Tööriist tohib tööle hakata ainult mõlema nimetatud toimingu teostamisel. Katsetage tööriista töökorras olekut, käsitsedes seda tühjal, ilma kinniteta, ja viies tõukuri täiesti tagasitõmmatud asendisse.
- Ärge mängige kontaktelemendiga: see takistab juhuslikku vallandumist ning peab olema alati seadme küljes. Päästiku kinnitamine asendisse ON (Sees) on samuti väga ohtlik. Ärge kunagi üritage päästikut kinnitada. Ärge kasutage tööriista, kui mõni selle juhtseadis ei toimi, on ühendamata, muudetud ehitusega või ei ole töökorras.
- Ärge püüdke teibi või traadi abil hoida kontaktelementi allavajutatud olekus. Tagajärjeks võib olla surm või tõsine kehavigastus.
- Kontrollige alati kontaktelementi selles kasutusjuhendis kirjeldatud viisil. Kui ohutusmehhanism ei tööta korralikult, võivad kinnitid soovimatult liikuma hakata.

Kinnitite laadimine

- Ärge laadige tööriista kinniteid, kui mõni juhtseadis on aktiveeritud.
- Kasutage ainult selles juhendis määratletud kinniteid. Mis tahes muude kinnitite kasutamine võib põhjustada tööriista rikke.

Toiteallikas

- Ärge kunagi ühendage tööriista suruõhuallikaga, mille õhurõhk võib ületada tabelis "TEHNILISED ANDMED" näidatud tööriistale sobivat rõhuvahemikku 10% võrra. Veenduge, et suruõhusüsteemi rõhk ei ületa tööriistale sobivat rõhuvahemikku. Alguses seadistage õhurõhk tööriistale sobiva rõhuvahemiku madalamale väärtusele.
- Käsitsege tööriista madalaima rakendusele vajaliku rõhuga, et vältida tarbetult valju müra ning liigset kulumist ja sellest tingitud rikkeid.
- Ärge kunagi kasutage tööriista millegi muu kui suruõhuga. Kui tööriista energiaallikana kasutada balloonigaasi (süsinikdioksiid, hapnik, lämmastik, vesinik, õhk vms) või tuleohtlikku gaasi (vesinik, propaan, atsetüleen vms), siis tööriist plahvatab ja tekitab tõsiseid kehavigastusi.
- Võtke õhuvoolik alati lahti ja tühjendage tööriist kinnititest, kui:
 - tööriist jääb järelevalveta;
 - hakkate tööriista hooldama või remontima;
 - hakkate kõrvaldama ummistust;
 - viiete tööriista teise kohta.
- Kasutage ainult selles juhendis määratletud pneumotööriista õli.

Tööohutus

- Enne kasutamist kontrollige alati tööriista üldist seisukorda ja veenduge, et ükski kruvi ei ole lahti. Vajaduse korral pingutage.
- Käsitsege tööriista ettevaatlikult, sest tööriistas on kõrge rõhk ja hooletust kohtlemisest (kukkumine või löömine) tingitud prao tekkimine võib olla väga ohtlik. Ärge tehke tööriista pinnale sisselõikeid ega graveerige sellele.
- Katkestage töö viivitamatult, kui märkate, et midagi on valesti või tööriist ei ole korras. Mitte korras tööriista ei tohi kasutada.
- Ärge suunake tööriista väljalaskeava kellegi poole. Hoidke käed ja jalad väljalaskeavast eemal.

- Eeldage alati, et tööriist on kinnititega laetud.
- Ärge kunagi suunake tööriista enda või kellegi teise poole, olenemata sellest, kas tööriist on laetud või mitte.
- Töötamisel ärge kiirustage ega avaldage tööriistale liigset survet. Käsitsege tööriista ettevaatlikult.
- Ärge käivitage tööriista, kui see ei ole kindlalt vastu tööpinda surutud.
- Ärge kunagi hoidke või kandke tööriista ega ulatage seda kellegi, kui hoiate sõrme päästikul. Tööriista ootamatu vallandumine võib põhjustada tõsise kehavigastuse.
- Ärge kunagi kasutage kinnitustööriistu, millel on märged "Ärge kasutage tellingutel, redelitel", eritööde jaoks, näiteks:
 - kui töökoha vahetamisel tuleb teise kohta siirduda tellingute, trepi, redeli vms kaudu, nt katuseroovide korral;
 - kastide sulgemine;
 - veoturvasüsteemide kinnitamine nt sõidukitele või vagunitele.
- Vaadake tähelepanelikult üle seinad, laed, põrandad, katused jms, et avastada võimalikud elektrilöögi, gaasilekke, plahvatuse jne ohukohad, kui tööriist tabab pinget all olevaid juhtmeid, torustikke, gaasitorusid vms.
- Ärge kasutage tööriista elektrijuhtmete kinnitamiseks. Tööriist ei ole ette nähtud elektrijuhtmete paigaldamiseks ja võib kahjustada juhtmete isolatsiooni, põhjustades elektrilöögi- või tulekahjuohu.
- Tööriista kasutades jälgige oma jalgealust ja säilitage tasakaal. Kõrgel töötades veenduge, et kedagi ei ole allpool, ning kinnitage õhuvoolik, et vältida komistamise või takerdumise ohtu.
- Katusel või mujal kõrgel kohas töötades teostage kinnitamist edasisuunas liikudes. Tagurpidi liikumise ajal kinnitades võite kergesti kaotada tasakaalu. Vertikaalpinnal kinnitamisel liikuge ülalt allapoole. See aitab jõudu säästa.
- Kinniti võib kõverduda või tööriist kinni kiiluda, kui lasete kinniti kogemata teise kinniti peale või oksakohale. Kinniti võib eemale lennata ja kedagi tabada ning ka tööriist võib ohtlikult liikuda. Valige kinniti asukoht hoolikalt.
- Ärge jätke laetud tööriista või rõhu all olevat õhukompressorit pikaks ajaks päikese kätte. Veenduge, et kohas, kuhu tööriist jäetakse, ei satu selle sisse tolmu, liiva, laastusid vm võõrkehi.
- Ärge kunagi püüdke kinniteid sisestada korraga nii seest- kui ka väljastpoolt. Kinnitid võivad pinda läbistada ja/või lendu paiskuda ning kujutada endast tõsist ohtu.

Hooldus

- Teostage puhastus- ja hooldustoimingud kohe pärast töö lõppu. Hoidke tööriist laitmatus seisukorras. Määrige liikuvaid osi, et vältida rooste teket ja minimeerida hõõrdumisest tingitud kulumist. Pühkige kõigilt osadelt tolm.
- Laske tööriista Makita volitatud hoolduskeskuses regulaarselt kontrollida.
- Toote OHUTUSE ja TÖÖKINDLUSE tagamiseks on tähtis, et toodet hooldatakse ja remonditakse Makita volitatud hoolduskeskuses ning kasutatakse ainult Makita varuosi.

HOIDKE NEED JUHISED ALLES.

HOIATUS!

ÄRGE LUBAGE mugavusel ega toote korduvast kasutamisest tingitud harjumusel asendada ranget ohutusreeglite järgimist. **VÄÄRKASUTUS** või käesolevas kasutusjuhendis kirjeldatud ohutusreeglite eiramine võib põhjustada tõsiseid kehavigastusi.

PAIGALDAMINE

Kompressori valimine (Joonis 2)

Õhukompressor peab vastama standardi EN60335-2-34 nõuetele.

Säästliku töö tagamiseks valige piisavalt suure rõhu ja jõudlusega kompressor. Graafik näitab naelutamissageduse, kasutatava rõhu ja kompressori jõudluse vahelist seost.

Seega, kui naelutamine toimub sagedusel 60 korda minutis rõhuga 0,68 MPa (6,89 baari), vajatakse kompressorit jõudlusega üle 281 l/min.

Kui kompressori õhurõhk ületab tööriista nimirõhku, tuleb õhurõhu piiramiseks kasutada rõhuregulaatoreid. Vastasel korral võib juhtuda tööriista kasutaja või lähedal viibivate inimeste tõsise vigastusega lõppev õnnetus.

Õhuvooliku valimine (Joonis 3)

Pideva ja tõhusa naelutusprotsessi tagamiseks kasutage alati võimalikult suure läbimõõduga ja lühikest õhuvoolikut. Kui õhurõhk on 0,49 MPa (4,9 baari) ja naelutamise intervall on 1 sekund, on soovitatav kasutada üle 8,0 mm siseläbimõõduga ja alla 20 m pikkust õhuvoolikut. Õhuvooliku minimaalne lubatud tööõhk peab olema 1,03 MPa (10,3 baari) või 150 protsenti süsteemi maksimaalsest rõhust, olenevalt sellest, kumb väärtus on suurem.

ETTEVAATUST!

- Väiksema jõudlusega kompressori või pikema või väiksema läbimõõduga õhuvooliku korral naelutamissageduse suhtes võib tööriista jõudlus väheneda.

Määrimine (Joonis 4)

Maksimaalse jõudluse tagamiseks paigutage suruõhusõlm (õlitusseade, regulaator, õhufilter) tööriistale võimalikult lähedale. Reguleerige õlitusseade nii, et iga 50 naela kohta tuleks tilk õli.

Kui suruõhusõlme ei kasutata, õlitage tööriista pneumotööriista õliga, lastes 2 (kaks) või 3 (kolm) tilka õli õhuliitmikku. Seda tuleb teha enne ja pärast tööriista kasutamist. Korralikuks määrimiseks tuleb pärast pneumotööriista õli pealekandmist tööriistaga paar korda lasta. (Joonis 5)

KOKKUPANEK

Naelapüstoli laadimine

ETTEVAATUST!

- Enne naelapüstoli laadimist võtke voolik alati tööriista küljest lahti.

Vajutage riivi hoob alla ja avage luuk. Seejärel avage magasinini kaas. (Joonis 6)

Tõstke ja keerake rulli alusplaati nii, et rulli alusplaat oleks suunatud laaditava naela pikkuse mõõdutähisele. (Joonis 7)

Märkus.

Vales asendis rulli alusplaat võib põhjustada tõrkeid naelte söötmisel või tööriista rikke. (Joonis 8)

Asetage naelarull rulli alusplaadi kohale. Kerige naelarulli lahti kuni naelad ulatuvad söötehaaratsisse. Asetage esimene nael löögikanalisse ja teine nael söötehaaratsisse. Asetage ülejäänud lahtikerimata naelad sööturisse. Veenduge, et naelarull on korralikult magasinini paigutatud ja sulgege magasinini kaas.

Õhuvooliku ühendamine (Joonis 9)

Libistage õhuvooliku õhupistik naelapüstoli õhuliitmiku otsa. Veenduge, et õhupistik kinnitub kindlalt õhuliitmiku külge. Voolikuliitmik tuleb paigaldada tööriista külge või lähedusse nii, et tööriista rõhuanum tühjeneb, kui õhuvoolik tööriista küljest lahti võetakse.

TÖÖTAMINE

ETTEVAATUST!

- PÄÄSTIKU HOIDMINE POOLELDI ALLAVAJUTATUNA võib põhjustada tööriista ootamatu vallandumise, kui kontaktelement puudutab tagasilöögi tõttu uuesti puidu vm pinda. Sellise ootamatu vallandumise vältimiseks toimige järgmiselt.
 - Ärge suruge kontaktelementi liiga tugevalt vastu tööpinda.
 - Vajutage päästik lõpuni ja pärast naelutamist hoidke seda 1–2 sekundit.
- Ärge kasutage tööriista ilma naelteta. See lühendab tööriista tööiga.
- Enne töö alustamist veenduge, et kõik ohutussüsteemid on töökorras. (Joonis 10)
 - Tööriist ei tohi tööle hakata, kui vajutatakse ainult päästikut ja kontaktelement ei puutu vastu tööpinda. (Joonis 11)
 - Tööriist ei tohi tööle hakata, kui kontaktelement asetatakse vastu tööpinda, kuid päästikut ei vajutata.

Naelutamine (Joonis 12)

Asetage kontaktelement vastu tööpinda ja vajutage päästikut või vajutage esmalt päästikut ja seejärel asetage kontaktelement vastu tööpinda. (Joonis 13)

Esimene töömeetod sobib pausidega naelutamiseks, kui soovite naelutada iga naela ettevaatlikult ja väga täpselt. Teine töömeetod sobib pidevaks naelutamiseks.

Järjestikpäästiku kasutamine (Iisavarustus)

Naela löömiseks võite asetada kontaktelementi vastu tööpinda ja vajutada päästikut.

ETTEVAATUST!

- PÄÄSTIKU HOIDMINE POOLELDI ALLAVAJUTATUNA võib põhjustada tööriista ootamatu vallandumise, kui kontaktelement puudutab tagasilöögi tõttu uuesti puidu vm pinda. Sellise ootamatu vallandumise vältimiseks toimige järgmiselt.
 - Ärge suruge kontaktelementi liiga tugevalt vastu tööpinda.
 - Vajutage päästik lõpuni ja pärast naelutamist hoidke seda 1–2 sekundit.

Naelapüstoli ummistumine

⚠ ETTEVAATUST!

- Enne ummistuse kõrvaldamist võtke õhuvoolik alati lahti ja tühjendage magasin naeltest. **(Joonis 14)**
- Naelapüstoli ummistumise korral toimige järgmiselt. Avage magasin kaas ja eemaldage naelarull. Lükake väljalaskeavasse väike varras vms tööriist ja lööge seda haamriga, et ummistuse põhjustanud nael väljalaskeavast väljuks. Paigaldage uuesti naelarull ja sulgege magasin kaas.

HOOLDUS

⚠ ETTEVAATUST!

- Enne tööriista kontrollimist või hooldamist võtke alati õhuvoolik tööriista küljest lahti.
- Ärge kunagi kasutage bensiini, lahustit, alkoholi vms aineid. Vastasel juhul võib tagajärjeks olla pleekimine, deformeerumine või pragunemine.

Naelapüstoli hooldamine (Joonis 15)

Enne kasutamist kontrollige alati tööriista üldist seisukorda ja veenduge, et ükski kruvi ei ole lahti. Vajaduse korral pingutage.

Kontrollige iga päev, kas kontaktelement ja päästik liiguvad vabalt (tööriist peab olema lahti ühendatud). Ärge kasutage tööriista, kui kontaktelement või päästik kinni kiilub. **(Joonis 16)**

Kui tööriista pikema aja vältel ei kasutata, määrige seda pneumaatilise õliga ja hoidke kindlas kohas. Vältige kokkupuudet otsese päikesevalguse ja/või niiskuse ning kuumusega.

Kompressori, suruõhusõlme ja õhuvooliku hooldamine (Joonis 17 ja 18)

Pärast tööd tühjendage alati kompressori paak ja õhufilter. Niiskuse sattumine tööriista sisse võib halvendada jõudlust ja põhjustada rikke. **(Joonis 19)**

Kontrollige regulaarselt, kas suruõhusõlme õlitusseadmes on piisavalt pneumaatilist õli. Ebapiisav määrimine põhjustab rõngastihendite kiiret kulumist. **(Joonis 20)**

Hoidke õhuvoolikut kuumuse (üle 60 °C) ja kemikaalide eest (lahusti, tugevad happed ja alused). Samuti suunake õhuvoolik eemal takistustest, mille külge voolik võib töö ajal ohtlikult kinni jääda. Voolikud tuleb eemale suunata ka teravate servade ja selliste kohtade eest, mis võivad voolikut kahjustada või kulutada.

Naelte käsitsemine (Joonis 21)

Käsitsege naelarulle ja -karpi hoolikalt. Hooletult käsitsatud naelarullid võivad deformeeruda ja ühendustraata võib katkeda, mis takistab naelte söötmist. **(Joonis 22)**

Ärge hoidke naelu väga niiskes või kuumas kohas ega otsese päikesevalguse käes.

Toote OHUTUSE ja TÖÖKINDLUSE tagamiseks on tähtis, et toodet remonditakse, hooldatakse ja reguleeritakse Makita volitatud hoolduskeskuses ning kasutatakse ainult Makita varuosi.

LISASEADMED

⚠ ETTEVAATUST!

- Järgmised lisaseadmed ja varustus on soovituslikud selles kasutusjuhendis kirjeldatud Makita tööriistale. Muude lisaseadmete ja varustuse kasutamine võib põhjustada kehavigastuste ohu. Kasutage lisaseadmeid ja varustust ainult ettenähtud otstarbel.

Kui vajate täiendavat teavet lisaseadmete kohta, küsige seda kohalikust Makita hoolduskeskusest.

- Naelad
- Õhuvoolikud

MÄRKUS.

- Mõned loendis sisalduvad esemed võivad kuuluda standardvarustusena tööriista tarnekomplekti. See võib riigiti erineda.

ENG905-1

Müra

Standardi EN792 kohaselt mõõdetud tüüpiline A-filtriga korrigeeritud müra on järgmine.

A-filtriga korrigeeritud helirõhutase töökohal (L_{pA}): AN960: 95,7 dB (A), AN961: 97,4 dB (A)
A-filtriga korrigeeritud helivõimsuse tase (L_{WA}): AN960: 96,9 dB (A), AN961: 98,0 dB (A)
Ebatäpsus (K): 1,5 dB (A)

Kasutage kuulmiskaitseid

ENG904-2

Vibratsioon

Standardi EN792 kohaselt mõõdetud vibratsioonitase on järgmine.

Vibratsioon (a_h): 5,35 m/s²
Ebatäpsus (K): 2,14 m/s²

ENG901-1

- Deklareeritud vibratsiooniväärtus on mõõdetud vastavalt standardsele testimetodile ja seda võib kasutada erinevate tööriistade omavahelisel võrdlemisel.
- Deklareeritud vibratsiooniväärtust saab kasutada ka avalduva vibratsiooni eelhindamiseks.

⚠ HOIATUS!

- Elektrilise tööriista tegelikul kasutamisel avalduv vibratsioon võib erineda deklareeritud vibratsiooniväärtusest olenevalt tööriista kasutusviisist.
- Tehke kindlaks ja rakendage kasutaja kaitsmiseks ohutusmeetmed, võttes aluseks avalduva vibratsiooni eelhindangu tegelikes kasutustingimustes (arvestades töötükli kõiki etappe, nt lisaks tööajale perioode, mil tööriist on välja lülitatud ja töötab tühikäigul).

Ainult Euroopa riikides

EÜ vastavusavaldus

Makita Corporation deklareerib vastutava tootjana, et järgmine/järgmised Makita seade/seadmed:

Seadme tähis:

Pneumaatiline naelapüstol

Mudel nr/tüüp: AN960, AN961

on seeriatootmises ja

vastab/vastavad järgmistele Euroopa direktiividele:

2006/42/EÜ

ning on toodetud vastavalt järgmistele standarditele ja standardiseeritud dokumentidele:

EN792

Tehnilist dokumentatsiooni hoiab:

Makita International Europe Ltd.

Tehniline osakond,

Michigan Drive, Tongwell,

Milton Keynes, Bucks MK15 8JD, Inglismaa

29.11.2013



Tomoyasu Kato
Direktor

Makita Corporation
3-11-8, Sumiyoshi-cho,
Anjo, Aichi, 446-8502, JAPAN

Makita Corporation
Anjo, Aichi, Japan

AN960-7L-0814

www.makita.com

IDE