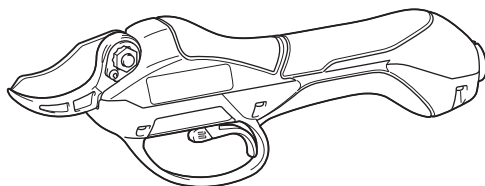
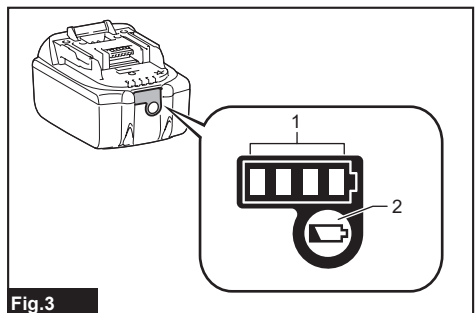
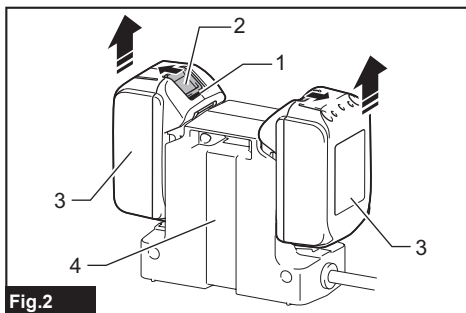
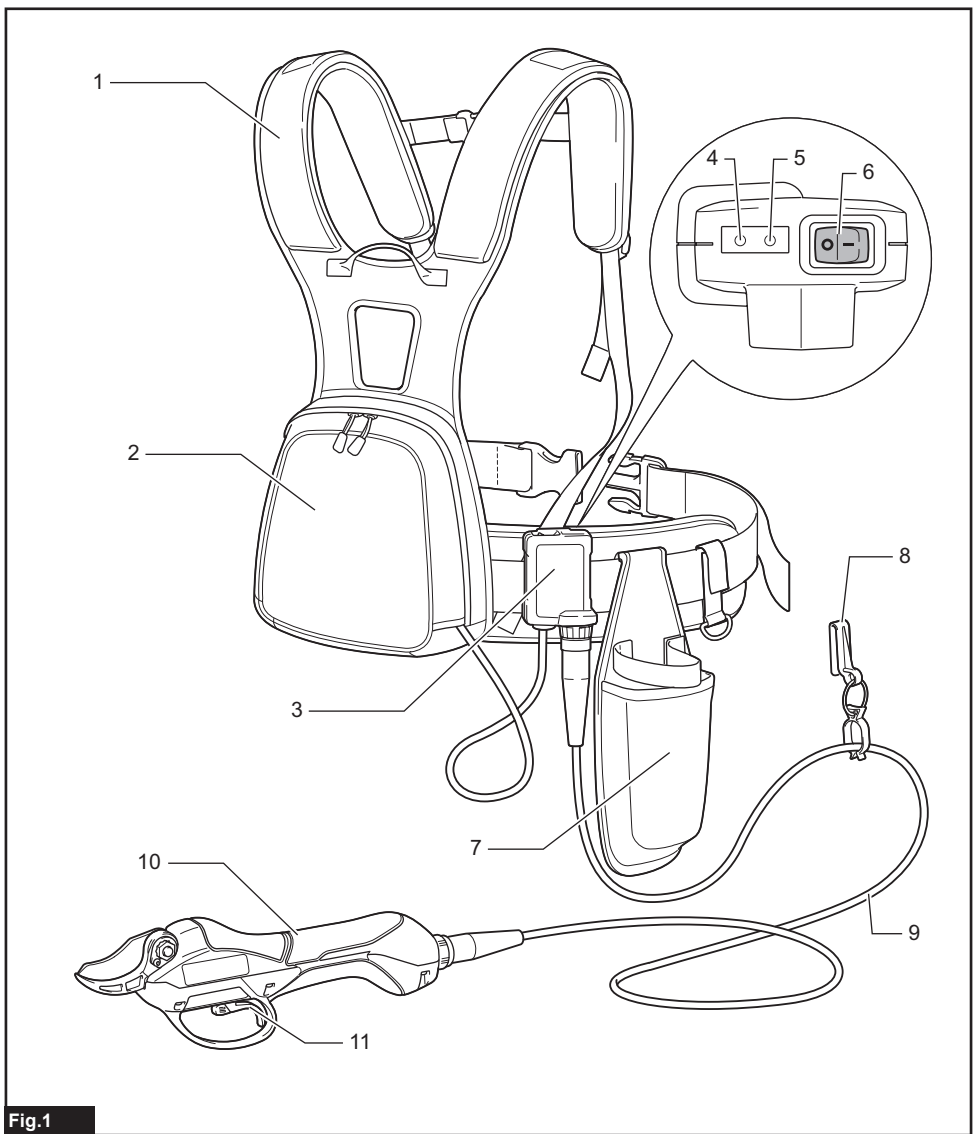


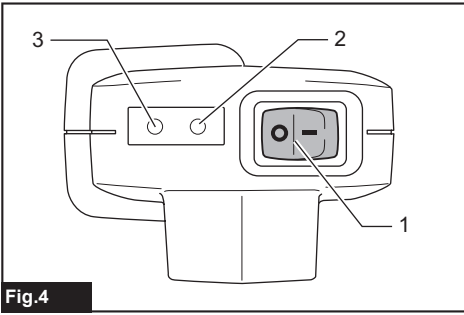


<b>EN</b>	Battery Powered Pruning Shears	<b>INSTRUCTION MANUAL</b>	<b>8</b>
<b>FR</b>	Sécateur à batterie	<b>MANUEL D'INSTRUCTIONS</b>	<b>16</b>
<b>DE</b>	Akku-Astschere	<b>BETRIEBSANLEITUNG</b>	<b>25</b>
<b>IT</b>	Cesoie per potare a batteria	<b>ISTRUZIONI PER L'USO</b>	<b>34</b>
<b>NL</b>	Accusnoeischaar	<b>GEBRUIKSAANWIJZING</b>	<b>43</b>
<b>ES</b>	Tijera de podar Inalámbrica	<b>MANUAL DE INSTRUCCIONES</b>	<b>52</b>
<b>PT</b>	Tesoura de Jardim a Bateria	<b>MANUAL DE INSTRUÇÕES</b>	<b>61</b>
<b>DA</b>	Akku grensaks	<b>BRUGSANVISNING</b>	<b>70</b>
<b>EL</b>	Κλαδευτικό ψαλίδι μπαταρίας	<b>ΕΓΧΕΙΡΙΔΙΟ ΟΔΗΓΙΩΝ</b>	<b>78</b>
<b>TR</b>	Akülü Budama Makası	<b>KULLANMA KILAVUZU</b>	<b>88</b>

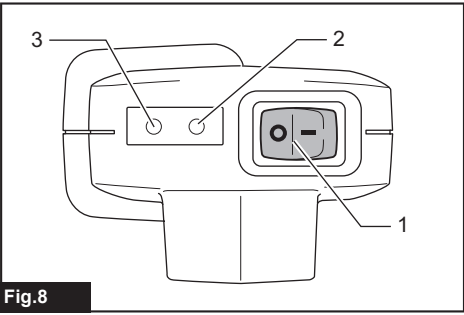
## DUP361



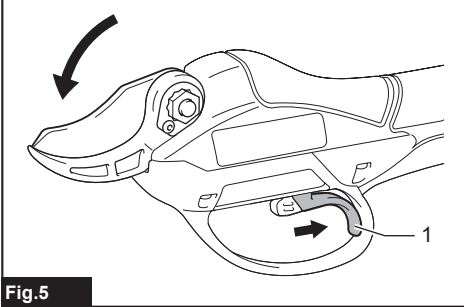




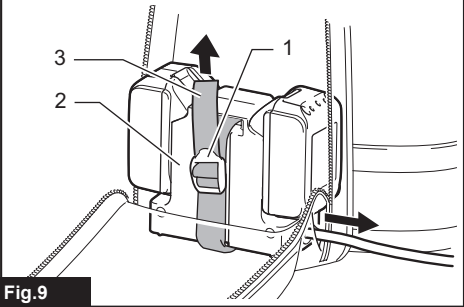
**Fig. 4**



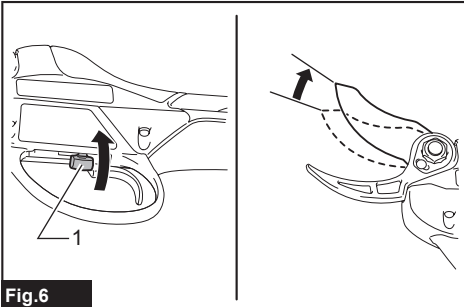
**Fig. 8**



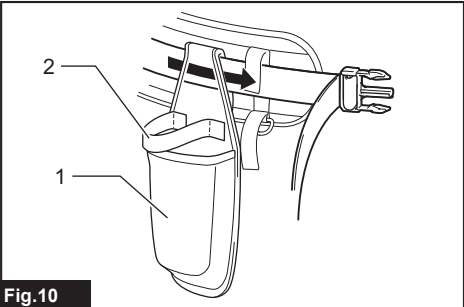
**Fig. 5**



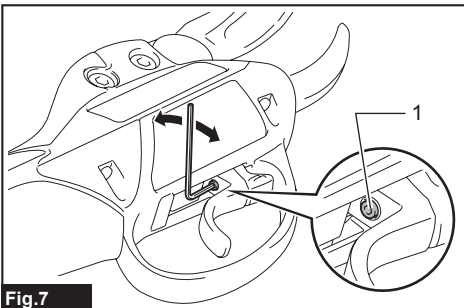
**Fig. 9**



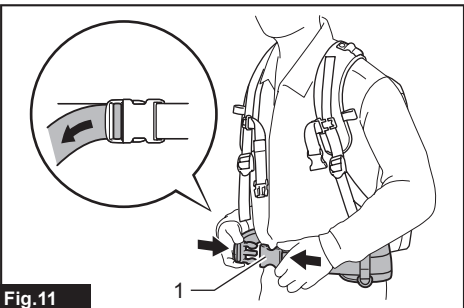
**Fig. 6**



**Fig. 10**



**Fig. 7**



**Fig. 11**

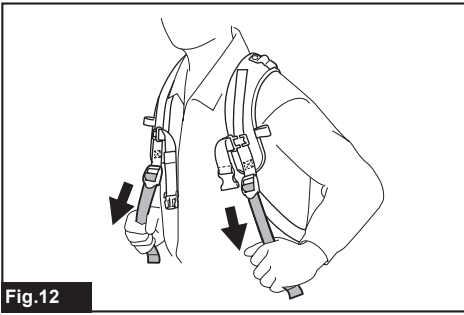


Fig.12

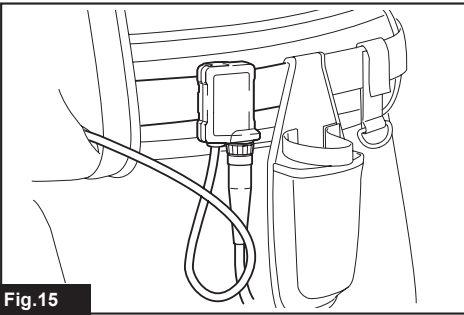


Fig.15

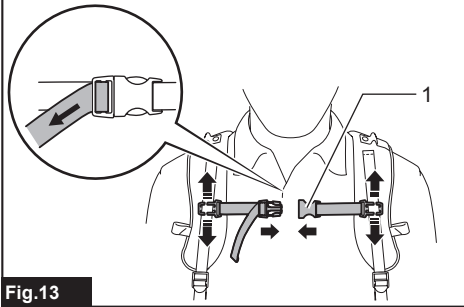


Fig.13

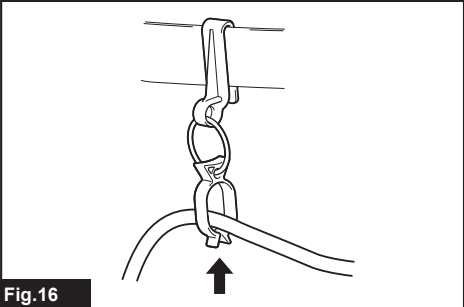


Fig.16

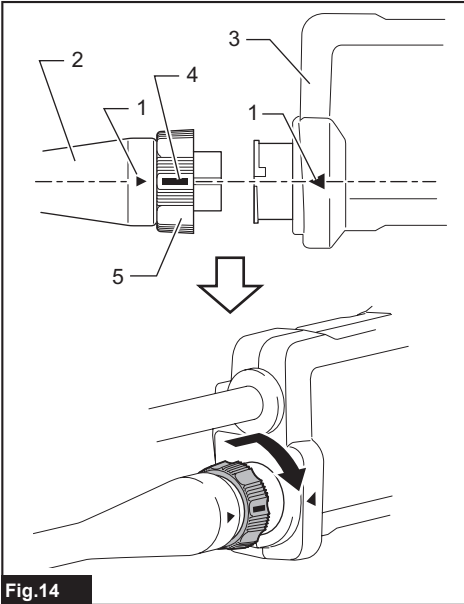


Fig.14

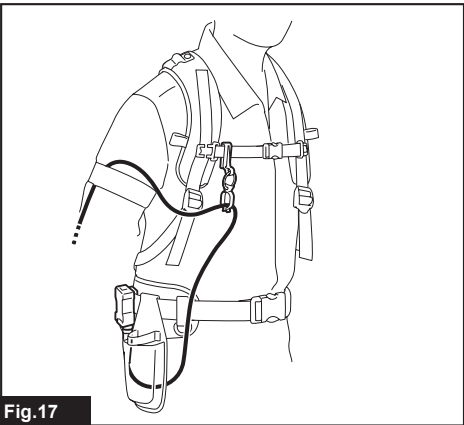


Fig.17

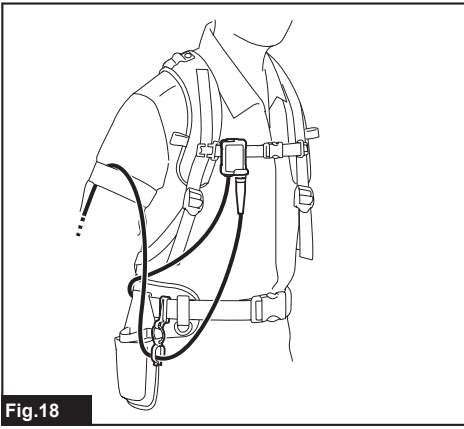


Fig.18

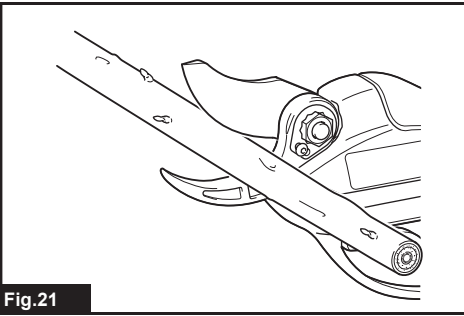


Fig.21

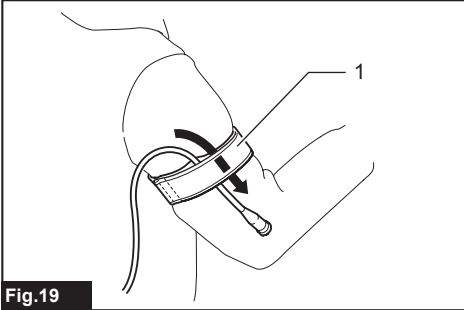


Fig.19

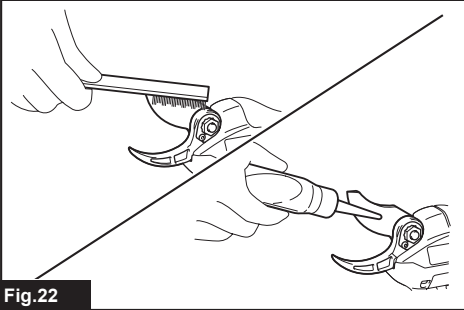


Fig.22

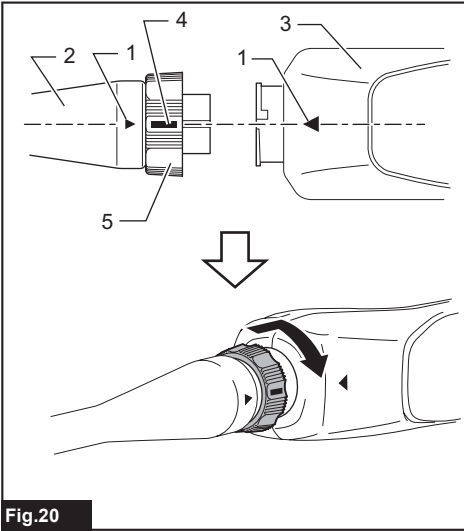


Fig.20

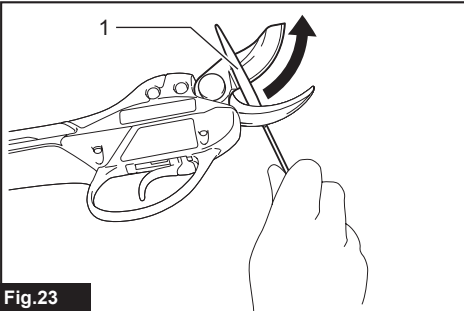


Fig.23

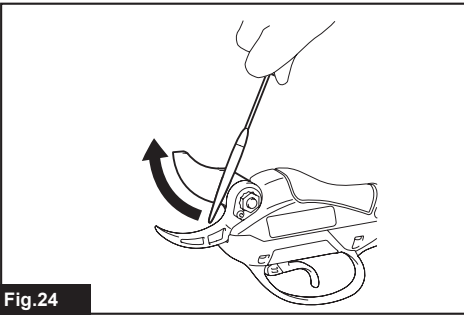
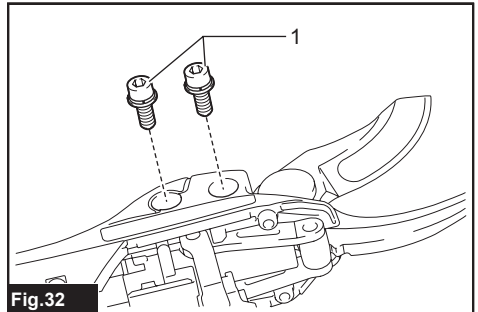
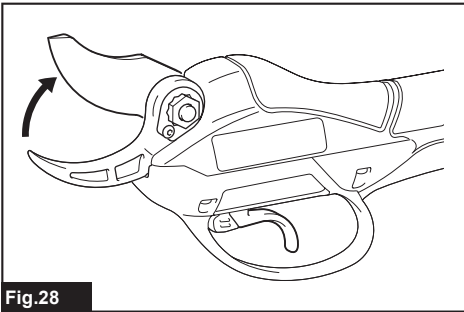
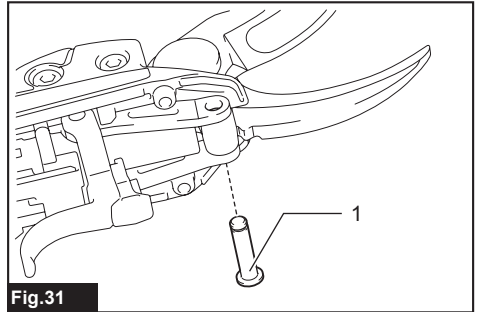
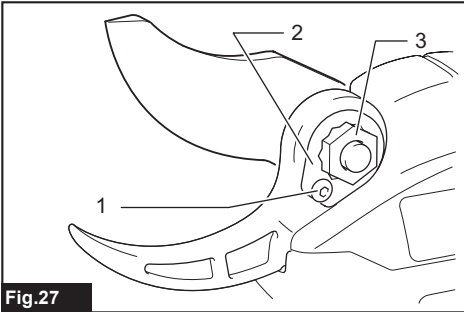
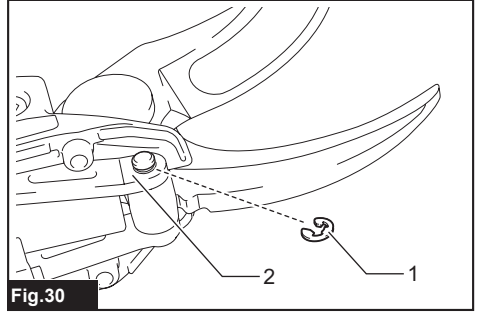
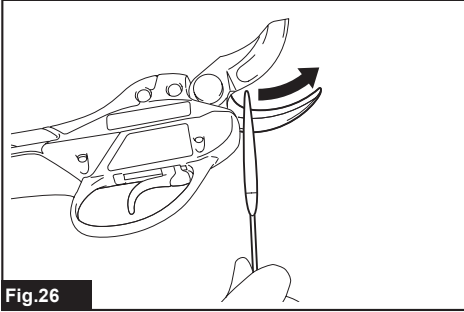
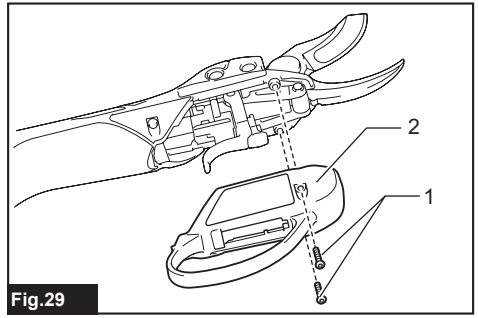
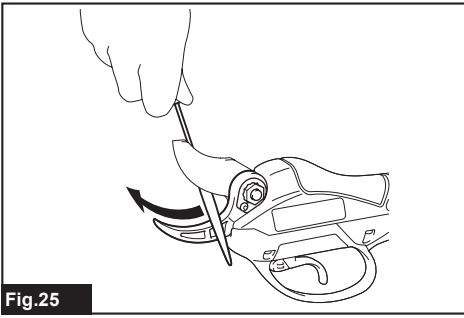
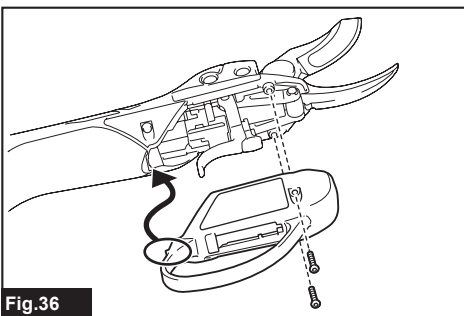
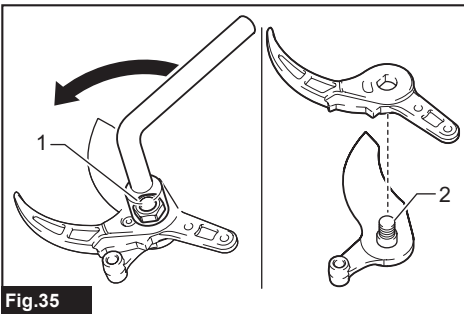
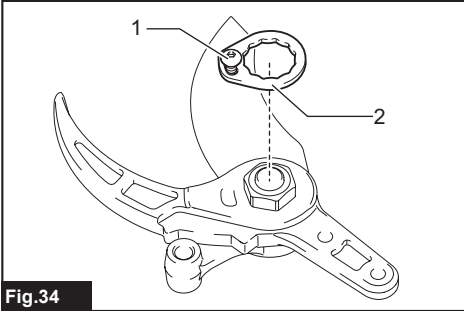
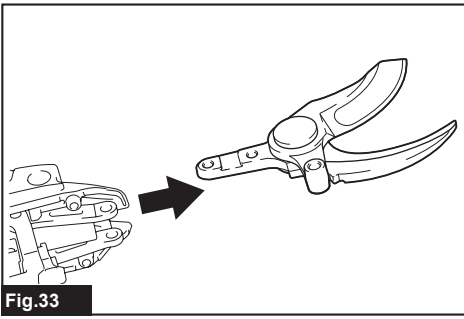


Fig.24





## SPECIFICATIONS

Model:	DUP361	
Max. cutting capacity	33 mm	
Overall length (shears part)	305 mm	
Rated voltage	D.C.36 V	
Battery cartridge	BL1815N, BL1820, BL1820B	BL1830, BL1840, BL1840B, BL1850, BL1850B, BL1860B
Net weight (with shears, switch box, connection cord, two battery cartridges and back pack)	3.3 kg	3.8 kg

- Due to our continuing program of research and development, the specifications herein are subject to change without notice.
- Specifications and battery cartridge may differ from country to country.
- Weight, with battery cartridge, according to EPTA-Procedure 01/2003

## Symbols

The following show the symbols used for the equipment. Be sure that you understand their meaning before use.



Read instruction manual.



Do not expose to moisture.



Danger; be aware of thrown objects.



Keep bystanders away.



Only for EU countries  
Do not dispose of electric equipment or battery pack together with household waste material!

In observance of the European Directives, on Waste Electric and Electronic Equipment and Batteries and Accumulators and Waste Batteries and Accumulators and their implementation in accordance with national laws, electric equipment and batteries and battery pack(s) that have reached the end of their life must be collected separately and returned to an environmentally compatible recycling facility.

## Intended use

The tool is intended for pruning twigs or branches.

## Noise

The typical A-weighted noise level determined according to EN50636:

Sound pressure level ( $L_{pA}$ ) : 70 dB(A) or less  
Uncertainty (K) : 3.2 dB(A)

The noise level under working may exceed 80 dB (A).

**WARNING:** Wear ear protection.

## Vibration

The vibration total value (tri-axial vector sum) determined according to EN50636:  
Vibration emission ( $a_{hv}$ ) : 2.5  $m/s^2$  or less  
Uncertainty (K) : 1.5  $m/s^2$

**NOTE:** The declared vibration emission value has been measured in accordance with the standard test method and may be used for comparing one tool with another.

**NOTE:** The declared vibration emission value may also be used in a preliminary assessment of exposure.

**WARNING:** The vibration emission during actual use of the power tool can differ from the declared emission value depending on the ways in which the tool is used.

**WARNING:** Be sure to identify safety measures to protect the operator that are based on an estimation of exposure in the actual conditions of use (taking account of all parts of the operating cycle such as the times when the tool is switched off and when it is running idle in addition to the trigger time).

## EC Declaration of Conformity

### For European countries only

Makita declares that the following Machine(s):  
Designation of Machine: Battery Powered Pruning Shears

Model No./ Type: DUP361

Conforms to the following European Directives:  
2006/42/EC

They are manufactured in accordance with the following standard or standardized documents: EN ISO 12100  
The technical file in accordance with 2006/42/EC is available from:

Makita, Jan-Baptist Vinkstraat 2, 3070, Belgium  
29.1.2015

*Yasushi Fukaya*



## Pruning shears safety warnings

**⚠WARNING:** Read all safety warnings and all instructions. Failure to follow the warnings and instructions may result in electric shock, fire and/or serious injury.

### Save all warnings and instructions for future reference.

The term "power tool" in the warnings refers to your mains-operated (corded) power tool or battery-operated (cordless) power tool.

1. **Use personal protective equipment. Always wear eye protection.** Protective equipment such as dust mask, non-skid safety shoes, hard hat, or hearing protection used for appropriate conditions will reduce personal injuries.
2. **Prevent unintentional starting. Ensure the switch is in the off-position before connecting to power source and/or battery pack, picking up or carrying the tool.** Carrying power tools with your finger on the switch or energising power tools that have the switch on invites accidents.
3. **Dress properly. Do not wear loose clothing or jewellery. Keep your hair, clothing, and gloves away from moving parts.** Loose clothes, jewellery or long hair can be caught in moving parts.
4. **This tool is for pruning branches.** Do not use it for any job except that for which it is intended.
5. **Never allow children, persons with reduced physical, sensory or mental capabilities or lack of experience and knowledge or people unfamiliar with these instructions to use the tool.** Local regulations may restrict the age of the operator.
6. **Never operate the tool while people, especially children, or pets are nearby.**
7. **Do not overreach and keep balance at all times.** Always be sure of footing on slopes and to walk, never run.
8. **Do not touch moving hazardous parts before the tool is disconnected from the mains and/or the battery pack is removed from the tool.**
9. **Always wear substantial footwear and long trousers while operating the tool.**
10. **Disconnect the supply and/or remove the battery pack from the tool:**
  - whenever the tool is left by the user,
  - before clearing a blockage,
  - before checking, cleaning or working on the tool,
  - after striking a foreign object to inspect the tool for damage,
  - if the tool starts to vibrate abnormally, for immediately check.
11. **Never operate the tool with defective guards or shields, or without safety devices, or if the cord is damaged or worn.**

12. **Avoid using the tool in bad weather conditions especially when there is a risk of lightning.**
13. **Don't use the tool or perform battery charging operations in the rain.**
14. **Don't leave the tool in rain or wet locations.**
15. **Be careful not to catch foreign matter between the blades.** If the blades are jammed with foreign matter, immediately switch off the tool and disconnect the battery from the tool. Then remove the foreign matter from the blades.
16. **Never hold the branch you are pruning with your free hand.** Keep your free hand away from the cutting area. Never touch the blades, they are very sharp and you may cut yourself.
17. **Don't force the tool to make it cut.** You could slip and injure yourself or cut something else unintentionally.
18. **Avoid cutting electrical wires that may be hidden.**
19. **Always check the blades carefully before operation.**
20. **Handle the blades with extreme care to prevent cuts or injury from the blades.**
21. **Disconnect the battery from the tool after each use and before attempting to perform inspection or maintenance.**
22. **When not in use, always keep the tool in its holster.**

#### Battery tool use and care

1. **Recharge only with the charger specified by the manufacturer.** A charger that is suitable for one type of battery pack may create a risk of fire when used with another battery pack.
2. **Use power tools only with specifically designated battery packs.** Use of any other battery packs may create a risk of injury and fire.
3. **When battery pack is not in use, keep it away from other metal objects, like paper clips, coins, keys, nails, screws or other small metal objects, that can make a connection from one terminal to another.** Shorting the battery terminals together may cause burns or a fire.
4. **Under abusive conditions, liquid may be ejected from the battery; avoid contact.** If contact accidentally occurs, flush with water. If liquid contacts eyes, additionally seek medical help. Liquid ejected from the battery may cause irritation or burns.

#### Service

1. **Have your power tool serviced by a qualified repair person using only identical replacement parts.** This will ensure that the safety of the power tool is maintained.
2. **Follow instruction for lubricating and changing accessories.**
3. **Keep handles dry, clean and free from oil and grease.**

**⚠WARNING:** DO NOT let comfort or familiarity with product (gained from repeated use) replace strict adherence to safety rules for the subject product. MISUSE or failure to follow the safety rules stated in this instruction manual may cause serious personal injury.

## Important safety instructions for battery cartridge

- Before using battery cartridge, read all instructions and cautionary markings on (1) battery charger, (2) battery, and (3) product using battery.
- Do not disassemble battery cartridge.
- If operating time has become excessively shorter, stop operating immediately. It may result in a risk of overheating, possible burns and even an explosion.
- If electrolyte gets into your eyes, rinse them out with clear water and seek medical attention right away. It may result in loss of your eyesight.
- Do not short the battery cartridge:
  - Do not touch the terminals with any conductive material.
  - Avoid storing battery cartridge in a container with other metal objects such as nails, coins, etc.
  - Do not expose battery cartridge to water or rain.

A battery short can cause a large current flow, overheating, possible burns and even a breakdown.
- Do not store the tool and battery cartridge in locations where the temperature may reach or exceed 50 °C (122 °F).
- Do not incinerate the battery cartridge even if it is severely damaged or is completely worn out. The battery cartridge can explode in a fire.

- Be careful not to drop or strike battery.
- Do not use a damaged battery.
- Follow your local regulations relating to disposal of battery.

## SAVE THESE INSTRUCTIONS.

**CAUTION:** Only use genuine Makita batteries. Use of non-genuine Makita batteries, or batteries that have been altered, may result in the battery bursting causing fires, personal injury and damage. It will also void the Makita warranty for the Makita tool and charger.

## Tips for maintaining maximum battery life

- Charge the battery cartridge before completely discharged. Always stop tool operation and charge the battery cartridge when you notice less tool power.
- Never recharge a fully charged battery cartridge. Overcharging shortens the battery service life.
- Charge the battery cartridge with room temperature at 10 °C - 40 °C (50 °F - 104 °F). Let a hot battery cartridge cool down before charging it.
- Charge the battery cartridge if you do not use it for a long period (more than six months).

## N Mark

The N Mark is a trademark or registered trademark of NFC Formula, Inc. in USA and other countries in the world.

## PARTS DESCRIPTION

► Fig.1

1	Harness	2	Back pack	3	Switch box	4	Pilot lamp (red)
5	Pilot lamp (green)	6	I/O switch	7	Holster	8	Cord holder
9	Connection cord	10	Shears	11	Switch trigger	-	-

## FUNCTIONAL DESCRIPTION

**CAUTION:** Always be sure that the tool is switched off and the battery cartridge is removed before adjusting or checking function on the tool.

## Removing or installing battery cartridge

**CAUTION:** Always switch off the tool before installing or removing of the battery cartridge.

**CAUTION:** Hold the tool and the battery cartridge firmly when installing or removing battery cartridge. Failure to hold the tool and the battery cartridge firmly may cause them to slip off your hands and result in damage to the tool and battery cartridge and a personal injury.

► Fig.2: 1. Red indicator 2. Button 3. Battery cartridge 4. Battery holder

To remove the battery cartridge, slide it from the tool while sliding the button on the front of the cartridge.

To install the battery cartridge, align the tongue on the battery cartridge with the groove in the housing and slip

it into place. Insert it all the way until it locks in place with a little click. If you can see the red indicator on the upper side of the button, it is not locked completely.

**CAUTION:** Always install the battery cartridge fully until the red indicator cannot be seen. If not, it may accidentally fall out of the tool, causing injury to you or someone around you.

**CAUTION:** Do not install the battery cartridge forcibly. If the cartridge does not slide in easily, it is not being inserted correctly.

**NOTE:** The tool does not work with only one battery cartridge.

## Tool / battery protection system

The tool is equipped with a tool/battery protection system. This system automatically cuts off power to the motor to extend tool and battery life. The tool will automatically stop during operation if the tool or battery is placed under one of the following conditions. In some conditions, the lamps on the switch box lights up.

### Overload protection

When the tool is operated in a manner that causes it to draw an abnormally high current, the tool automatically stops without any indication. In this situation, turn the tool off and stop the application that caused the tool to become overloaded. Then turn the tool on to restart.

### Overheat protection

When the tool is overheated, the tool stops automatically, and the green lamp on the switch box blinks. In this situation, let the tool cool down before turning the tool on again.

### Overdischarge protection

When the battery capacity becomes low, the tool stops automatically. And the red lamp on the switch box lights up or blinks. If the product does not operate even when the switches are operated, remove the batteries from the battery holder and charge the batteries.

## Indicating the remaining battery capacity

*Only for battery cartridges with "B" at the end of the model number*

► Fig.3: 1. Indicator lamps 2. Check button

Press the check button on the battery cartridge to indicate the remaining battery capacity. The indicator lamps light up for few seconds.

Indicator lamps			Remaining capacity
Lighted	Off	Blinking	
■	□	◐	75% to 100%
■ ■ ■ ■			
■ ■ ■ ■	□		50% to 75%

Indicator lamps			Remaining capacity
Lighted	Off	Blinking	
■ ■	□ □		25% to 50%
■	□ □ □		0% to 25%
◐	□ □ □		Charge the battery.
■ ■	□ □	□ □	The battery may have malfunctioned.
□ □	■ ■		

**NOTE:** Depending on the conditions of use and the ambient temperature, the indication may differ slightly from the actual capacity.

## Switch action

**CAUTION:** Before connecting the battery to the shears, always check to see that the switch trigger actuates properly and returns to the "OFF" position when released.

**CAUTION:** When not operating the tool, always make sure that the I/O switch is on the "O" side.

**CAUTION:** Do not press the I/O switch to the "I" (on) position while pulling the switch trigger. The blade closes slightly and it may cause personal injury.

To turn on the tool, perform as follows:

1. Connect the switch box, connection cord, and shears. (Refer to "Installing the connection cord".)
2. Hold the shears firmly, and press the I/O switch to the "I" (on) position. The green pilot lamp lights up.  
► Fig.4: 1. I/O switch 2. Pilot lamp (green)
3. Pilot lamp (red)
3. The shear blades are locked-mode when the I/O switch is on. To release the lock, pull the switch trigger two times. The upper shear blade opens automatically.
4. To close the shear blade, pull the switch trigger.  
► Fig.5: 1. Switch trigger

## Auto locked-mode and shut-off mode shift

For safety reasons, the tool shifts into locked-mode or shut-off mode automatically if the tool is left untouched for a certain period of time.

After 5 minutes: The tool shifts into locked-mode. Pull the switch trigger two times to release the lock.

After 15 minutes: The tool is shift into shut-off mode, and the green pilot lamp turns off. Press the I/O switch to the "O" (off) position once, and press the I/O switch to the "I" (on) position again, then pull the switch trigger two times to release the lock.

## Opening angle selector lever

► **Fig.6:** 1. Opening angle selector lever

By tilting the opening angle selector lever to the left side, you can open the upper shear blade wider. To limit the upper shear blade opening angle, first pull the switch trigger fully, and then return the opening angle selector lever to straight position.

## Cutting depth adjustment

**CAUTION:** Do not let your hands or part of body close to the shear blades. Otherwise personal injury may result.

After sharpening or replacing the shear blade, adjust cutting depth if necessary. Turn on the tool, and pull the switch trigger two times to open the shear blades, and then press the I/O switch to the "O" (off) position.

To deepen the cutting depth, turn the cutting depth adjusting screw clockwise with the hex wrench. And to make the cutting depth shallower, turn the cutting depth adjusting screw counterclockwise.

► **Fig.7:** 1. Cutting depth adjusting screw

**NOTE:** Check the cutting depth after adjustment. If the cutting depth is too shallow, the branch may not cut fully.

## Pilot lamps on the switch box

► **Fig.8:** 1. I/O switch 2. Pilot lamp (green)  
3. Pilot lamp (red)

The green and red lamps indicate as follows:  
(On: ● Off: ○ Blinking: ☀)

- Green lamp lights up: the tool is turned on.

Green	Red
●	○

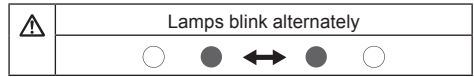
- Green lamp blinks: the tool is overheated. Let the tool cool down before turning the tool on again.

	Green	Red
☀	☀	○

- Green lamp lights up and red lamp blinks or lights up: battery is low or almost flat. Charge the batteries. When either of the battery becomes low, the red lamp blinks even one of the batteries is full.

	Green	Red
🔋	●	☀ / ●

- Green lamp and red lamp blink alternately: the tool detects breaking of wire. Check the connection cord for loose connection with the switch box and the shears. If the lamps still blink alternately, stop using the tool immediately, disconnect the connection cord, remove the battery, and ask your local authorized service center for repair.



## ASSEMBLY

**CAUTION:** Always be sure that the tool is switched off and the battery cartridge is removed before carrying out any work on the tool.

## Installing the battery holder into the backpack

► **Fig.9:** 1. Clamp 2. Battery holder 3. Strap

1. Pass the switch box through the opening (either right or left) of the back pack.
2. Pass the clamp through the square hole of the battery holder, and secure the battery holder with the strap. Make sure that the battery holder sits in the backpack firmly.

## Installing the holster

► **Fig.10:** 1. Holster 2. Strap

Pass the belt of the lower buckle through the opening of the holster.

## Adjusting the harness

Adjust the harness as follows:

1. Close and lock the lower buckle, and adjust its belt length.

► **Fig.11:** 1. Lower buckle

2. Adjust the shoulder strap length.

► **Fig.12**

3. Adjust the position of the upper buckle. Close and lock the upper buckle and adjust its belt length.

► **Fig.13:** 1. Upper buckle

**CAUTION:** In case of emergency, quickly open the lower buckle and upper buckle, loosen shoulder straps, and set down the backpack.

## Installing the connection cord

**CAUTION:** Always make sure that the switch box's I/O switch is on the "O" side before attaching the connection cord.

**CAUTION:** Do not operate the tool if the connection cord is damaged.

**NOTICE:** Do not abuse the connection cord. Do not carry the tool by pulling the connection cord. Keep the connection cord away from heat, oil, or sharp edges. Otherwise the connection cord may be damaged.

Attach the connection cord with the switch box and the shears as follows:

1. First, align the triangular marks of the male plug of the connection cord with the triangular mark of the female connector of the switch box. Push in the plug of the connection cord to the connector of the switch box. Then, align the marking on the coupling with the triangular marks, and push in and turn the coupling to tighten.  
▶ **Fig.14:** 1. Triangular mark 2. Connection cord 3. Switch box 4. Marking on coupling 5. Coupling

**NOTICE:** Turn the coupling and align the marking on the coupling with the triangular marks first when disconnecting the connection cable.

2. Hang the switch box on the waist belt or upper belt.

▶ **Fig.15**

3. Push the connection cord into the loop of the cord holder.

▶ **Fig.16**

Hang the cord holder on either the upper belt or the waist belt on which the switch box is not hung.

The cord holder prevents the connection cord from dangling around your body, and also the cord holder can prevent the connection cord from being cut by mistake.

▶ **Fig.17**

▶ **Fig.18**

**NOTICE:** Do not hang anything other than the connection code on the cord holder. Otherwise the code holder may be broken.

**NOTICE:** Do not force the cord holder opening. Otherwise it may result in deformation or breakage of the code holder.

4. Put the arm band on your arm. And slip the connection cord through the arm band.

▶ **Fig.19:** 1. Arm band

5. First, align the triangular marks of the female socket of the connection cord with the triangular mark of the male connector of the shears. Push in the socket of the connection cord to the connector of the shears. Then, align the marking on the coupling with the triangular marks, and push in and turn the coupling to tighten.  
▶ **Fig.20:** 1. Triangular mark 2. Connection cord 3. Shears 4. Marking on coupling 5. Coupling

**NOTICE:** Turn the coupling and align the marking on the coupling with the triangular marks first when disconnecting the connection cable.

## Putting shears in the holster

Keep pulling the switch trigger to close the shear blades, and press the I/O switch to "O" side to turn off the tool. Then put the shears into the holster and hold the shears with the strap of the holster.

## OPERATION

**⚠CAUTION:** Always hold the tool firmly. And keep firm footing.

**⚠CAUTION:** Do not put any of your body parts near to the blades during operation.

**⚠CAUTION:** Before use, inspect if the blades, blade bolts or other parts are not worn or damaged. Replace worn or damaged parts for safe operation.

**NOTICE:** If the blade is stuck in a branch during operation, do not twist the blade. In that situation, turn off the tool and pull the blades straight out slowly from the branch. Otherwise the blade may be damaged.

**NOTICE:** In case you cut too thick branch or something too hard, the overload protection works and the tool stops. In that situation, if the upper shear blade is opened too wide and the switch trigger is pulled fully, the upper blade closes slightly when you press the I/O switch to "I" (on) position for restarting the tool.

## Pruning operation

▶ **Fig.21**

Cut branches one by one. The maximum thickness of branches which can be cut with these shears is about 33mm. Maintain your proper footing and balance at all times.

## After use

Close the shear blades, press the I/O switch to the "O" (off) position, and disconnect the connection cord from the shears and the switch box, and remove the batteries from battery holder.

Store the shears in dry, high or locked-up place – out of reach of children.

**NOTICE:** Remove the battery when not using the shears. Otherwise the battery capacity is reduced during course of time.

## MAINTENANCE

**⚠CAUTION:** Always be sure that the tool is switched off and the battery cartridge is removed before attempting to perform inspection or maintenance.

**⚠CAUTION:** Wear safety gloves when handling the blade. Otherwise it may result in personal injury.

**NOTICE:** Never use gasoline, benzine, thinner, alcohol or the like. Discoloration, deformation or cracks may result.

## Blade maintenance

**NOTICE:** Failure to perform blade maintenance may cause excessive blade friction and shorten the operating time per battery charge.

Before and after operation, check the shear blades carefully.

After operation, clean off the blades with a stiff brush. Then wipe the blades with a cloth. And apply Makita genuine machine oil onto the blade edge and movable part.

► Fig.22

## Sharpening blades

### Upper shear blade

1. Apply the flat surface of the diamond file to the blade edge.

Push the diamond file towards the tip of the blade to sharpen along the entire blade edge.

Maintain the same flat contact with the file consistently along the entire blade edge.

► Fig.23: 1. Diamond file

2. Apply the flat surface of the diamond file lightly to the opposite side of the blade.

Move the diamond file towards the tip of the blade lightly to remove burrs.

► Fig.24

**NOTICE:** Do not sharpen this side too much. File lightly only for removing burrs. Otherwise the blade clearance may become too much or the blade life may be shortened.

### Lower shear blade

1. Apply the round surface of the diamond file to the blade edge.

Push the diamond file towards the tip of the blade to sharpen along the entire blade edge.

► Fig.25

2. Apply the flat surface of the diamond file lightly to the opposite side of the blade.

Move the diamond file towards the tip of the blade lightly to remove burrs.

► Fig.26

**NOTICE:** Do not sharpen this side too much. File lightly only for removing burrs. Otherwise the blade clearance may become too much or the blade life may be shortened.

## Adjustment for blade clearance

► Fig.27: 1. Plate fixing bolt 2. Lock plate  
3. Blades tightening nut

From time to time, adjust the clearance of the shear blades as follows:

1. Switch on the tool, and pull the switch trigger to open the shear blades.
2. With shear blades open, switch off the tool. And disconnect the connection cord from the tool.
3. Loosen the plate fixing bolt. And then remove the lock plate.
4. Adjust the tightness of the blades tightening nut by hand (fastening torque for the blade tightening nut: approximately 0.5 N•m).
5. Install the lock plate and plate fixing bolt again.
6. Check the tightness of the blade whether the blades never rattle but upper blade can be opened or closed about 3mm by hand. If the blades are too tight or loose, adjust the clearance again.

**NOTICE:** Pay attention to the clearance of the blades. Too loose clearance may result in dull cut, and too tight blade clearance may result in overload for the motor and short running time of the tool.

## Removing or installing shear blades

To remove the shear blades, perform following steps:

1. Tilt the opening angle selector lever to the left side first to open the blades fully.
2. Switch on the tool, and pull the switch trigger to open the shear blades.
3. With shear blades open, switch off the tool. And disconnect the connection cord from the tool.

► Fig.28

4. Remove two bolts near the switch trigger with the hex wrench.

Remove the trigger guard by separating the tongue on the trigger guard from the groove of the housing.

► Fig.29: 1. Bolts 2. Trigger guard

5. Remove the E-ring on the link arm with a slotted screwdriver or alike.

► Fig.30: 1. E-ring 2. Link arm

**NOTICE:** The E-ring is expendable part. Do not re-use the E-ring when reassembling.

6. Carefully remove the pin.

► Fig.31: 1. Pin

7. Remove two bolts from the side of the housing.

► Fig.32: 1. Bolts

8. Carefully remove the upper and lower shears from the housing.

► Fig.33

9. To separate the upper blade and the lower blade, first loosen the plate fixing bolt. Then remove the lock plate.

► Fig.34: 1. Plate fixing bolt 2. Lock plate

10. Loosen and remove the blades tightening nut.

► Fig.35: 1. Blade tightening nut 2. Blade tightening bolt

To install the shear blades, perform the procedures above in reverse. Make sure all the bolts are securely tightened.

After installing the blade, always adjust the blade clearance. (Refer to "Adjustment for blade clearance".)

To install the shear blades, perform the procedures above in reverse. When installing the shear blades, pay attention to the following points:

- Apply machine oil or grease on to the blade tightening bolt and between the blades.
- If you can not place the plate fixing bolt properly, first, remove the O-ring and the plate fixing bolt from the lock plate. And then overturn the lock plate, and return the O-ring and the plate fixing bolt.
- When installing the trigger guard, align the tongue of the trigger guard with the groove of the housing.

► **Fig.36**

- Make sure all the bolts are securely tightened.
- After installing the blade, always adjust blade clearance. (Refer to "Adjustment for blade clearance".)
- After installing the blade, always adjust cutting depth. (Refer to "Cutting depth adjustment".)

## Trouble shooting

Before making a request for repairs, check for trouble by yourself. If any abnormality is found, control your tool according to the description of this manual. If the remedy mentioned below cannot solve the problem, ask your local authorized service center for repair. Never tamper or dismount any part contrary to the description.

State of abnormality	Probable cause (malfunction)	Remedy
The shear blade does not move even after pulling the trigger switch.	The battery is low.	Charge the battery.
	I/O switch is "Off" position.	Press the I/O switch to "I" position.
	The shears are locked.	Unlock the shears by performing the steps in "Switch action".
	Connection cord is loose.	Check the connecting points of the switch box and shears of connection cord.
	Switch trigger defect.	Stop using the tool immediately, and ask your local authorized service center for repair.
The shear blades are stuck on the branch.	The branch is too thick.	Release the switch trigger. Press the I/O switch to "O" position. Then pull the blades straight out slowly from the branch.
The switch trigger is locked and can not be pulled.	Shear blades are opened forcibly.	Switch off and on with the I/O switch. (The upper shear blade closes slightly when switching on.)

State of abnormality	Probable cause (malfunction)	Remedy
The cut is not smooth.	The shear blades are dull.	Sharpen the shear blades, or adjust blade clearance.
	The shear blades are worn out.	Replace the shear blades.

To maintain product SAFETY and RELIABILITY, repairs, any other maintenance or adjustment should be performed by Makita Authorized or Factory Service Centers, always using Makita replacement parts.

## OPTIONAL ACCESSORIES

**⚠ CAUTION:** These accessories or attachments are recommended for use with your Makita tool specified in this manual. The use of any other accessories or attachments might present a risk of injury to persons. Only use accessory or attachment for its stated purpose.

If you need any assistance for more details regarding these accessories, ask your local Makita Service Center.

- Upper shear blade
- Lower shear blade
- Diamond file
- Arm band
- Holster
- Cord holder
- Makita genuine battery and charger

**NOTE:** Some items in the list may be included in the tool package as standard accessories. They may differ from country to country.

# SPÉCIFICATIONS

Modèle :	DUP361	
Capacité max. de coupe	33 mm	
Longueur totale (partie sécateur)	305 mm	
Tension nominale	CC 36 V	
Batterie	BL1815N, BL1820, BL1820B	BL1830, BL1840, BL1840B, BL1850, BL1850B, BL1860B
Poids net (avec sécateur, boîtier de commande, cordon de raccordement, deux batteries et gilet de portage)	3,3 kg	3,8 kg

- Étant donné l'évolution constante de notre programme de recherche et de développement, les spécifications contenues dans ce manuel sont sujettes à modification sans préavis.
- Les spécifications et la batterie peuvent être différentes suivant les pays.
- Poids, avec la batterie, conformément à la procédure EPTA-01/2003

## Symboles

Vous trouverez ci-dessous les symboles utilisés pour l'appareil. Veuillez à comprendre leur signification avant toute utilisation.



Lire le mode d'emploi.



Ne pas exposer à l'eau.



Danger ; prendre garde aux projections d'objets.



Tenir les personnes à l'écart.



Pour les pays de l'Union européenne uniquement  
Ne jetez pas les appareils électriques ou les batteries avec vos ordures ménagères !  
Conformément aux directives européennes relatives aux déchets d'équipements électriques et électroniques et aux piles et accumulateurs ainsi qu'aux déchets de piles et d'accumulateurs et leur mise en œuvre conformément aux lois nationales, les équipements électriques, les piles et les batteries en fin de vie doivent faire l'objet d'une collecte sélective et être confiés à une usine de recyclage respectueuse de l'environnement.

## Utilisations

L'outil est conçu pour tailler des brindilles ou des branches.

## Bruit

Niveau de bruit pondéré A typique, déterminé selon EN50636 :

Niveau de pression sonore ( $L_{pA}$ ) : 70 dB (A) ou moins  
Incertitude (K) : 3,2 dB (A)

Le niveau de bruit en fonctionnement peut dépasser 80 dB (A).

**AVERTISSEMENT** : Portez un serre-tête antibruit.

## Vibrations

Valeur totale de vibrations (somme de vecteur triaxial) déterminée selon EN50636 :

Émission de vibrations ( $a_h$ ) : 2,5 m/s<sup>2</sup> ou moins

Incertitude (K) : 1,5 m/s<sup>2</sup>

**NOTE** : La valeur d'émission de vibrations déclarée a été mesurée conformément à la méthode de test standard et peut être utilisée pour comparer les outils entre eux.

**NOTE** : La valeur d'émission de vibrations déclarée peut aussi être utilisée pour l'évaluation préliminaire de l'exposition.

**AVERTISSEMENT** : L'émission de vibrations lors de l'usage réel de l'outil électrique peut être différente de la valeur d'émission déclarée, suivant la façon dont l'outil est utilisé.

**AVERTISSEMENT** : Les mesures de sécurité à prendre pour protéger l'utilisateur doivent être basées sur une estimation de l'exposition dans des conditions réelles d'utilisation (en tenant compte de toutes les composantes du cycle d'utilisation, comme par exemple le moment de sa mise hors tension, lorsqu'il tourne à vide et le moment de son déclenchement).

## Déclaration de conformité CE

**Pour les pays européens uniquement**

Makita déclare que la ou les machines suivantes :

Désignation de la machine : Sécateur à batterie

N° de modèle/Type : DUP361

sont conformes aux Directives européennes suivantes :

2006/42/CE

et sont fabriquées conformément aux normes ou aux documents normalisés suivants : EN ISO 12100

La documentation technique conforme à la norme

2006/42/CE est disponible auprès de :

Makita, Jan-Baptist Vinkstraat 2, 3070, Belgique

29,1,2015

*Yasushi Fukaya*



## Consignes de sécurité pour sécateur

**⚠️ AVERTISSEMENT :** Lisez toutes les consignes de sécurité et toutes les instructions. Il y a risque d'électrocution, d'incendie et/ou de graves blessures si les mises en garde et les instructions ne sont pas respectées.

### Conservez toutes les mises en garde et instructions pour référence ultérieure.

Le terme « outil électrique » dans les avertissements fait référence à l'outil électrique alimenté par le secteur (avec cordon d'alimentation) ou à l'outil électrique fonctionnant sur batterie (sans cordon d'alimentation).

1. **Utilisez un équipement de protection individuelle. Portez toujours une protection oculaire.** Les équipements de sécurité tels que les masques contre les poussières, les chaussures de sécurité antidérapantes, les casques ou les protecteurs d'oreilles utilisés pour les conditions appropriées réduiront les blessures.
2. **Évitez les démarrages intempestifs. Assurez-vous que l'interrupteur est en position d'arrêt avant de brancher l'outil au secteur et/ou sur la batterie, de le ramasser ou de le porter.** Porter un outil électrique en ayant le doigt sur l'interrupteur ou brancher un outil électrique dont l'interrupteur est en position de marche est source d'accidents.
3. **Portez des vêtements adéquats. Ne portez pas de vêtements amples ni de bijoux. Maintenez cheveux, vêtements et gants à l'écart des pièces en mouvement.** Les pièces en mouvement peuvent happer les vêtements amples, les bijoux ou les cheveux longs.
4. **Cet outil sert à tailler des branches.** Il est formellement déconseillé de l'employer pour un autre usage.
5. **Ne laissez en aucun cas les enfants, les personnes aux facultés physiques, sensorielles ou mentales diminuées ou sans expérience ni expertise ou les personnes qui ne sont pas familiarisées avec ces instructions utiliser l'outil.** Les réglementations locales peuvent limiter l'âge de l'utilisateur.
6. **N'utilisez jamais l'outil en présence de personnes, particulièrement les enfants et animaux domestiques, à proximité.**
7. **Ne vous penchez pas trop loin et maintenez constamment votre équilibre.** Faites toujours attention où vous mettez les pieds sur les terrains en pente et veillez toujours à marcher et à ne jamais courir.
8. **Ne touchez pas les pièces dangereuses en mouvement avant d'avoir débranché l'outil de la prise secteur et/ou d'avoir retiré la batterie de l'outil.**

9. **Portez toujours des chaussures adaptées et un pantalon long pendant l'utilisation de l'outil.**
10. **Coupez l'alimentation et/ou retirez la batterie de l'outil :**
  - lorsque vous laissez l'outil sans surveillance,
  - avant de débloquer l'outil,
  - avant d'effectuer la vérification, le nettoyage ou l'entretien de l'outil,
  - après avoir heurté un corps étranger pour vérifier que l'outil n'est pas endommagé,
  - si l'outil se met à vibrer anormalement, pour procéder à une inspection immédiate.
11. **N'utilisez jamais l'outil sans dispositifs de protection ou de sécurité, ou s'ils sont défectueux, ou si le cordon est endommagé ou usé.**
12. **Évitez d'utiliser l'outil par mauvais temps, particulièrement en cas d'orage.**
13. **N'utilisez pas l'outil ni ne rechargez la batterie sous la pluie.**
14. **Ne laissez pas l'outil sous la pluie ou dans un endroit humide.**
15. **Faites attention à ce qu'aucun corps étranger ne se coince dans les lames.** Si le libre jeu des lames se trouve entravé par un corps étranger, éteignez immédiatement l'outil et retirez la batterie de l'outil. Puis, retirez le corps étranger des lames.
16. **Ne tenez jamais la branche que vous êtes en train de tailler avec votre main libre.** Éloignez votre main libre de la zone de coupe. Ne touchez jamais les lames, car elles sont très affûtées et pourraient vous couper.
17. **Ne forcez jamais sur l'outil pour le faire couper.** Vous risqueriez de glisser et de vous blesser ou de couper autre chose sans le vouloir.
18. **Faites attention de ne pas couper des câbles électriques qui pourraient être dissimulés.**
19. **Examinez soigneusement les lames avant chaque emploi.**
20. **Manipulez les lames avec prudence pour ne pas vous couper ou vous blesser.**
21. **Retirez la batterie de l'outil après chaque utilisation et avant de procéder à une inspection ou un entretien.**
22. **Lorsque l'outil n'est pas utilisé, conservez-le toujours dans sa gaine.**

#### Utilisation et entretien des outils fonctionnant sur batterie

1. **Rechargez la batterie uniquement avec le chargeur spécifié par le fabricant.** Un chargeur qui est adapté à un type spécifique de batterie peut présenter un risque d'incendie s'il est utilisé avec un autre type de batterie.
2. **Utilisez un outil électrique uniquement avec la batterie spécifiquement indiquée.** L'utilisation de toute autre batterie peut présenter un risque de blessure et d'incendie.
3. **Lorsque vous n'utilisez pas la batterie, tenez-la à l'écart des objets métalliques, comme des trombones, pièces de monnaie, clés, clous, vis ou autres petits objets métalliques, susceptibles de créer une connexion entre deux bornes.** Court-circuiter les bornes d'une batterie entre elles peut provoquer des brûlures ou un incendie.

4. Dans des conditions d'utilisation inadéquate, il peut y avoir une fuite de l'électrolyte de la batterie. Le cas échéant, évitez tout contact avec ce liquide. En cas de contact accidentel, rincez à l'eau. Si le liquide pénètre dans les yeux, consultez par ailleurs un médecin. Le liquide s'échappant de la batterie peut provoquer une irritation ou des brûlures.

#### Dépannage

1. Confiez la réparation de votre outil électrique à un réparateur qualifié qui utilise des pièces de rechange identiques. La sécurité de l'outil électrique sera ainsi préservée.
2. Suivez les instructions pour la lubrification et le remplacement des accessoires.
3. Gardez toutes les poignées sèches, propres et sans trace d'huile ou de graisse.

**⚠ AVERTISSEMENT** : NE vous laissez PAS tromper (au fil d'une utilisation répétée) par un sentiment d'aisance et de familiarité avec le produit, en négligeant le respect rigoureux des consignes de sécurité qui accompagnent le produit en question. La MAUVAISE UTILISATION de l'outil ou l'ignorance des consignes de sécurité indiquées dans ce mode d'emploi peut entraîner de graves blessures.

### Consignes de sécurité importantes pour la batterie

1. Avant d'utiliser la batterie, lisez toutes les instructions et précautions relatives (1) au chargeur de batterie, (2) à la batterie, et (3) au produit utilisant la batterie.
2. Ne démontez pas la batterie.
3. Cessez immédiatement l'utilisation si le temps de fonctionnement devient excessivement court. Il y a un risque de surchauffe, de brûlures, voire d'explosion.
4. Si l'électrolyte pénètre dans vos yeux, rincez-les à l'eau claire et consultez immédiatement un médecin. Il y a un risque de perte de la vue.
5. Ne court-circuitez pas la batterie :
  - (1) Ne touchez les bornes avec aucun matériau conducteur.
  - (2) Évitez de ranger la batterie dans un conteneur avec d'autres objets métalliques, par exemple des clous, des pièces de monnaie, etc.
  - (3) N'exposez pas la batterie à l'eau ou à la pluie.

Un court-circuit de la batterie peut provoquer une intensité de courant élevée, une surchauffe, parfois des brûlures et même une panne.

6. Ne rangez pas l'outil et la batterie dans un endroit où la température risque d'atteindre ou de dépasser 50 °C.
7. Ne jetez pas la batterie au feu même si elle est sérieusement endommagée ou complètement épuisée. La batterie peut exploser au contact du feu.
8. Évitez de laisser tomber ou de cogner la batterie.
9. N'utilisez pas la batterie si elle est endommagée.
10. Suivez les réglementations locales en matière de mise au rebut des batteries.

### CONSERVEZ CES INSTRUCTIONS.

**⚠ ATTENTION** : N'utilisez que des batteries Makita d'origine. L'utilisation de batteries de marque autre que Makita ou de batteries modifiées peut provoquer l'explosion des batteries, ce qui présente un risque d'incendie, de dommages matériels et corporels. Cela annulera également la garantie Makita pour l'outil et le chargeur Makita.

### Conseils pour assurer la durée de vie optimale de la batterie

1. Chargez la batterie avant qu'elle ne soit complètement déchargée. Arrêtez toujours l'outil et rechargez la batterie quand vous remarquez que la puissance de l'outil diminue.
2. Ne rechargez jamais une batterie complètement chargée. La surcharge réduit la durée de service de la batterie.
3. Chargez la batterie à une température ambiante comprise entre 10 °C et 40 °C. Avant de charger une batterie chaude, laissez-la refroidir.
4. Rechargez la batterie si elle est restée inutilisée pendant une période prolongée (plus de six mois).

### Repère N

Le Repère N est une marque déposée ou non de NFC Formula, Inc. aux États-Unis et dans d'autres pays à travers le monde.

## DESCRIPTION DES PIÈCES

► Fig.1

1	Harnais	2	Gilet de portage	3	Boîtier de commande	4	Lampe témoin (rouge)
5	Lampe témoin (verte)	6	Interrupteur I/O	7	Gaine	8	Porte-cordon
9	Cordon de raccordement	10	Sécateur	11	Gâchette	-	-

# DESCRIPTION DU FONCTIONNEMENT

**⚠ ATTENTION :** Assurez-vous toujours que l'outil est hors tension et que sa batterie est retirée avant de l'ajuster ou de vérifier son fonctionnement.

## Insertion ou retrait de la batterie

**⚠ ATTENTION :** Éteignez toujours l'outil avant de mettre en place ou de retirer la batterie.

**⚠ ATTENTION :** Tenez fermement l'outil et la batterie lors de la mise en place ou du retrait de la batterie. Si vous ne tenez pas fermement l'outil et la batterie, ils peuvent vous glisser des mains, et s'abîmer ou vous blesser.

► Fig.2: 1. Voyant rouge 2. Bouton 3. Batterie  
4. Porte-batterie

Pour retirer la batterie, faites-la glisser hors de l'outil tout en faisant glisser le bouton à l'avant de la batterie.

Pour mettre en place la batterie, alignez la languette sur la batterie avec la rainure sur le compartiment et insérez-la. Insérez-la à fond jusqu'à ce qu'un léger déclic se fasse entendre. Si le voyant rouge sur le dessus du bouton est visible, cela signifie qu'elle n'est pas bien verrouillée.

**⚠ ATTENTION :** Insérez toujours complètement la batterie jusqu'à ce que le voyant rouge ne soit plus visible. Sinon, elle pourrait tomber accidentellement de l'outil, au risque de vous blesser ou de blesser quelqu'un se trouvant près de vous.

**⚠ ATTENTION :** N'insérez pas la batterie de force. Si elle ne glisse pas facilement, c'est que vous ne l'insérez pas correctement.

**NOTE :** L'outil ne fonctionne pas avec une seule batterie.

## Système de protection de l'outil/la batterie

L'outil est équipé d'un système de protection de l'outil/la batterie. Ce système coupe automatiquement l'alimentation vers le moteur pour prolonger la durée de vie de l'outil et de la batterie. Si l'outil ou la batterie se trouve dans l'une des situations suivantes, l'outil cessera automatiquement de fonctionner. Dans certaines conditions, les lampes témoins sur le boîtier de commande s'allument.

## Protection contre la surcharge

Lorsque l'outil est utilisé d'une manière provoquant un appel de courant anormalement élevé, l'outil s'arrête automatiquement sans indication. Dans ce cas, éteignez l'outil et arrêtez la tâche ayant provoqué la surcharge de l'outil. Puis rallumez l'outil pour reprendre la tâche.

## Protection contre la surchauffe

En cas de surchauffe de l'outil, celui-ci s'arrête automatiquement, et la lampe témoin verte sur le boîtier de commande clignote. Dans ce cas, laissez l'outil refroidir avant de le rallumer.

## Protection contre la décharge totale de la batterie

Lorsque la charge restante de la batterie devient très faible, l'outil s'arrête automatiquement. Et la lampe témoin rouge sur le boîtier de commande s'allume ou clignote. Si le produit ne fonctionne pas même en actionnant les interrupteurs, retirez les batteries du porte-batterie et chargez-les.

## Indication de la charge restante de la batterie

**Uniquement pour les batteries dont le numéro de modèle se termine par « B »**

► Fig.3: 1. Témoins 2. Bouton de vérification

Appuyez sur le bouton de vérification sur la batterie pour indiquer la charge restante de la batterie. Les témoins s'allument pendant quelques secondes.

Témoins			Charge restante
Allumé	Éteint	Clignotant	
■	□	◐	75 % à 100 %
■	■	□	50 % à 75 %
■	■	□	25 % à 50 %
■	□	□	0 % à 25 %
◐	□	□	Chargez la batterie.
■	■	□	Anomalie possible de la batterie.
□	□	■	

**NOTE :** Selon les conditions d'utilisation et la température ambiante, l'indication peut être légèrement différente de la capacité réelle.

## Interrupteur

**⚠ ATTENTION :** Avant de raccorder la batterie au sécateur, vérifiez toujours que la gâchette fonctionne correctement et qu'elle revient sur la position « OFF » (arrêt) quand vous la relâchez.

**⚠ ATTENTION :** Lorsque vous n'utilisez pas l'outil, assurez-vous toujours que l'interrupteur I/O est placé sur le côté « O » (arrêt).

**⚠ ATTENTION :** N'appuyez pas sur la position « I » (marche) de l'interrupteur I/O tout en enclenchant la gâchette. La lame se refermera légèrement, ce qui présente un risque de blessure corporelle.

Pour allumer l'outil, procédez comme suit :

1. Raccordez le boîtier de commande, le cordon de raccordement et le sécateur. (Voir « Mise en place du cordon de raccordement ».)

2. Tenez fermement le sécateur et appuyez sur la position « I » (marche) de l'interrupteur I/O. La lampe témoin verte s'allume.

► Fig.4: 1. Interrupteur I/O 2. Lampe témoin (verte)  
3. Lampe témoin (rouge)

3. Les lames du sécateur sont en mode verrouillé lorsque l'interrupteur I/O est sur marche. Pour libérer le verrou, enclenchez deux fois la gâchette. La lame supérieure du sécateur s'ouvre automatiquement.

4. Pour refermer la lame du sécateur, enclenchez la gâchette.

► Fig.5: 1. Gâchette

## Basculement automatique entre le mode verrouillé et le mode de coupure

Par mesure de sécurité, l'outil bascule automatiquement en mode verrouillé ou en mode de coupure si l'outil n'est pas utilisé pendant une durée déterminée. Au bout de 5 minutes : L'outil bascule en mode verrouillé. Enclenchez deux fois la gâchette pour libérer le verrou.

Au bout de 15 minutes : L'outil bascule en mode de coupure, et la lampe témoin verte s'éteint. Appuyez sur la position « O » (arrêt) de l'interrupteur I/O, puis appuyez à nouveau sur la position « I » (marche) et ensuite enclenchez deux fois la gâchette pour libérer le verrou.

## Sélecteur de l'angle d'ouverture

► Fig.6: 1. Sélecteur de l'angle d'ouverture

En inclinant le sélecteur de l'angle d'ouverture vers la gauche, vous pouvez ouvrir davantage la lame supérieure du sécateur.

Pour limiter l'angle d'ouverture de la lame supérieure du sécateur, enclenchez d'abord à fond la gâchette, puis ramenez le sélecteur de l'angle d'ouverture sur la position droite.

## Réglage de la profondeur de coupe

**⚠ ATTENTION :** Ne laissez pas vos mains ou une partie de votre corps à proximité des lames du sécateur. Vous risqueriez autrement de vous blesser.

Après avoir affûté ou remplacé la lame du sécateur, réglez la profondeur de coupe au besoin. Allumez l'outil et enclenchez deux fois la gâchette pour ouvrir les lames du sécateur, puis appuyez sur la position « O » (arrêt) de l'interrupteur I/O. Pour élargir la profondeur de coupe, tournez la vis de réglage de la profondeur de coupe dans le sens des aiguilles d'une montre avec la clé hexagonale. Tandis que pour rétrécir la profondeur de coupe, tournez la vis de réglage de la profondeur de coupe dans le sens inverse des aiguilles d'une montre.

► Fig.7: 1. Vis de réglage de la profondeur de coupe

**NOTE :** Vérifiez la profondeur de coupe après réglage. Si la profondeur de coupe est trop faible, la branche risque de ne pas être coupée complètement.

## Lampes témoins sur le boîtier de commande

► Fig.8: 1. Interrupteur I/O 2. Lampe témoin (verte)  
3. Lampe témoin (rouge)

Les lampes témoins verte et rouge indiquent ce qui suit :

(Allumée : ● Éteinte : ○ Clignotante : ☀)

- Lampe témoin verte allumée : l'outil est sous tension.

	Verte	Rouge
	●	○

- Lampe témoin verte clignotante : l'outil surchauffe. Laissez l'outil refroidir avant de le rallumer.

	Verte	Rouge
🔥	☀	○

- La lampe témoin verte est allumée et la lampe témoin rouge clignote ou est allumée : la batterie est faible ou presque épuisée. Chargez les batteries. Lorsque l'une des batteries devient faible, la lampe témoin rouge clignote même si l'autre batterie est pleine.

	Verte	Rouge
🔋	●	☀ / ●

- La lampe témoin verte et la lampe témoin rouge clignotent en alternance : l'outil détecte une rupture de fils. Vérifiez s'il n'y a pas une mauvaise connexion du cordon de raccordement entre le boîtier de commande et le sécateur. Si les lampes témoins continuent de clignoter en alternance, cessez immédiatement d'utiliser l'outil, débranchez le cordon de raccordement, retirez la batterie et faites réparer l'outil par votre centre d'entretien local agréé.



**REMARQUE** : Ne maltraitez pas le cordon de raccordement. Ne transportez pas l'outil en tirant sur le cordon de raccordement. Tenez le cordon de raccordement à l'écart de sources de chaleur, de l'huile ou de bords tranchants. Autrement, le cordon de raccordement pourrait être endommagé.

## ASSEMBLAGE

**ATTENTION** : Assurez-vous toujours que l'outil est hors tension et que sa batterie est retirée avant d'effectuer toute tâche dessus.

### Installation du porte-batterie dans le gilet de portage

► Fig.9: 1. Boucle 2. Porte-batterie 3. Courroie

1. Faites passer le boîtier de commande par l'ouverture (droite ou gauche) du gilet de portage.
2. Faites passer la courroie par l'orifice carré du porte-batterie et maintenez en place le porte-batterie avec la courroie. Assurez-vous que le porte-batterie repose fermement dans le gilet de portage.

### Installation de la gaine

► Fig.10: 1. Gaine 2. Courroie

Faites passer la courroie de la boucle inférieure par l'ouverture de la gaine.

### Réglage du harnais

Réglez le harnais comme suit :

1. Fermez et verrouillez la boucle inférieure et ajustez sa longueur de courroie.

► Fig.11: 1. Boucle inférieure

2. Ajustez la longueur des bretelles.

► Fig.12

3. Ajustez la position de la boucle supérieure. Fermez et verrouillez la boucle supérieure et ajustez sa longueur de courroie.

► Fig.13: 1. Boucle supérieure

**ATTENTION** : En cas d'urgence, ouvrez rapidement la boucle inférieure et la boucle supérieure, desserrez les bretelles et posez le gilet.

### Mise en place du cordon de raccordement

**ATTENTION** : Assurez-vous toujours que l'interrupteur I/O du boîtier de commande se trouve sur le côté « O » avant de fixer le cordon de raccordement.

**ATTENTION** : N'utilisez pas l'outil si le cordon de raccordement est endommagé.

Fixez le cordon de raccordement au boîtier de commande et au sécateur comme suit :

1. Commencez par aligner les repères triangulaires de la fiche mâle du cordon de raccordement sur le repère triangulaire du connecteur femelle du boîtier de commande. Enfoncez la fiche du cordon de raccordement dans le connecteur du boîtier de commande. Ensuite, alignez la marque sur le raccord sur les repères triangulaires, puis enfoncez et tournez le raccord pour le serrer.

► Fig.14: 1. Repère triangulaire 2. Cordon de raccordement 3. Boîtier de commande 4. Marque sur le raccord 5. Raccord

**REMARQUE** : Tournez le raccord et alignez la marque sur le raccord sur les repères triangulaires en premier lors du retrait du cordon de raccordement.

2. Accrochez le boîtier de commande sur la ceinture ou la courroie supérieure.

► Fig.15

3. Poussez le cordon de raccordement dans la boucle du porte-cordon.

► Fig.16

Accrochez le porte-cordon sur la courroie supérieure ou sur la ceinture à laquelle le boîtier de commande n'est pas accroché.

Le porte-cordon empêche le cordon de raccordement de s'enrouler autour de votre corps et évite également que le cordon de raccordement ne soit coupé par erreur.

► Fig.17

► Fig.18

**REMARQUE** : N'accrochez rien d'autre que le cordon de raccordement au porte-cordon. Autrement le porte-cordon pourrait se rompre.

**REMARQUE** : Ne forcez pas l'ouverture du porte-cordon. Autrement, vous risquez de déformer ou de rompre le porte-cordon.

4. Placez l'attache de bras sur votre bras. Faites glisser le cordon de raccordement dans l'attache de bras.

► Fig.19: 1. Attache de bras

5. Commencez par aligner les repères triangulaires de la prise femelle du cordon de raccordement sur le repère triangulaire du connecteur mâle du sécateur. Enfoncez la prise du cordon de raccordement dans le connecteur du sécateur. Ensuite, alignez la marque sur le raccord sur les repères triangulaires, puis enfoncez et tournez le raccord pour le serrer.

► Fig.20: 1. Repère triangulaire 2. Cordon de raccordement 3. Sécateur 4. Marque sur le raccord 5. Raccord

**REMARQUE** : Tournez le raccord et alignez la marque sur le raccord sur les repères triangulaires en premier lors du retrait du cordon de raccordement.

## Rangement du sécateur dans la gaine

Continuez à enclencher la gâchette pour refermer les lames du sécateur et appuyez sur le côté « O » de l'interrupteur I/O pour éteindre l'outil. Placez ensuite le sécateur dans la gaine et retenez-le avec la courroie de la gaine.

## UTILISATION

**ATTENTION** : Tenez toujours fermement l'outil. Et tenez-vous bien sur les deux jambes.

**ATTENTION** : Ne placez aucune partie du corps à proximité des lames pendant le fonctionnement.

**ATTENTION** : Avant toute utilisation, vérifiez que les lames, les boulons de lame ou d'autres pièces ne sont pas usés ou endommagés. Remplacez les pièces usées ou endommagées pour un fonctionnement sans danger.

**REMARQUE** : Si la lame se coince dans une branche pendant le fonctionnement, ne tordez pas la lame. Dans ce cas, éteignez l'outil et retirez lentement et tout droit la lame de la branche. Autrement, la lame pourrait être endommagée.

**REMARQUE** : Si vous coupez des branches trop épaisses ou quelque chose de dur, la protection contre la surcharge se déclenche et l'outil s'arrête. Dans ce cas, si la lame supérieure du sécateur est trop ouverte et si la gâchette est enclenchée à fond, la lame supérieure se referme légèrement lorsque vous appuyez sur la position « I » (marche) de l'interrupteur I/O pour redémarrer l'outil.

## Élagage

► Fig.21

Coupez les branches une par une. Avec ce sécateur, vous pouvez couper des branches d'une épaisseur maximale de 33 mm environ. Maintenez constamment une bonne assise et un bon équilibre.

## Après l'utilisation

Refermez les lames du sécateur, appuyez sur la position « O » (arrêt) de l'interrupteur I/O et débranchez le cordon de raccordement du sécateur et du boîtier de commande, puis retirez les batteries du porte-batterie. Rangez le sécateur dans un lieu sec, en hauteur ou verrouillé – hors de portée des jeunes enfants.

**REMARQUE** : Retirez la batterie lorsque vous n'utilisez pas le sécateur. Autrement, la capacité de la batterie réduira avec le temps.

## ENTRETIEN

**ATTENTION** : Assurez-vous toujours que l'outil est hors tension et que la batterie est retirée avant d'y effectuer tout travail d'inspection ou d'entretien.

**ATTENTION** : Portez des gants de sécurité lorsque vous manipulez la lame. Vous risqueriez autrement de vous blesser.

**REMARQUE** : N'utilisez jamais d'essence, benzine, diluant, alcool ou autre produit similaire. Cela risquerait de provoquer la décoloration, la déformation ou la fissuration de l'outil.

## Entretien de la lame

**REMARQUE** : Si vous n'entretenez pas suffisamment les lames, cela provoquera une friction excessive des lames et réduira la durée de fonctionnement par recharge de la batterie.

Avant et après l'utilisation, vérifiez attentivement les lames du sécateur. Après l'utilisation, nettoyez les lames avec une brosse dure. Puis essuyez-les avec un chiffon. Et appliquez de l'huile machine Makita authentique sur le bord de la lame et la pièce mobile.

► Fig.22

## Affûtage des lames

### Lame supérieure du sécateur

1. Appliquez la partie plate de la lime diamantée sur le bord de la lame.

Déplacez la lime diamantée vers la pointe de la lame pour que l'affûtage soit pratiqué sur toute le bord de la lame.

Maintenez la lime bien à plat sur tout le bord de la lame.

► Fig.23: 1. Lime diamantée

2. Appliquez légèrement la partie plate de la lime diamantée sur l'envers de la lame.

Déplacez légèrement la lime diamantée vers la pointe de la lame pour enlever le morfil.

► Fig.24

**REMARQUE** : N'affûtez pas trop ce côté. Limez légèrement uniquement pour enlever le morfil. Autrement, le jeu entre les lames pourrait devenir trop important ou la durée de vie de la lame être réduite.

### Lame inférieure du sécateur

1. Appliquez la partie ronde de la lime diamantée sur le bord de la lame.

Déplacez la lime diamantée vers la pointe de la lame pour que l'affûtage soit pratiqué sur toute le bord de la lame.

► Fig.25

2. Appliquez légèrement la partie plate de la lime diamantée sur l'envers de la lame.

Déplacez légèrement la lime diamantée vers la pointe de la lame pour enlever le morfil.

► **Fig.26**

**REMARQUE** : N'affûtez pas trop ce côté. Limez légèrement uniquement pour enlever le morfil. Autrement, le jeu entre les lames pourrait devenir trop important ou la durée de vie de la lame être réduite.

## Réglage du jeu entre les lames

► **Fig.27**: 1. Boulon de fixation de la plaque 2. Plaque pivot 3. Écrou de serrage des lames

Occasionnellement, réglez le jeu entre les lames du sécateur comme suit :

1. Allumez l'outil et enclenchez la gâchette pour ouvrir les lames du sécateur.
2. Avec les lames du sécateur ouvertes, éteignez l'outil. Et débranchez le cordon de raccordement de l'outil.
3. Desserrez le boulon de fixation de la plaque. Puis retirez la plaque pivot.
4. Réglez manuellement le serrement de l'écrou de serrage des lames (couple de serrage pour l'écrou de serrage des lames : environ 0,5 N•m).
5. Remettez en place la plaque pivot et le boulon de fixation de la plaque.
6. Vérifiez le serrage de la lame en vous assurant que les lames ne s'entrechoquent pas, mais que la lame supérieure peut être ouverte ou fermée manuellement d'environ 3 mm. Si les lames sont trop serrées ou lâches, réglez à nouveau le jeu.

**REMARQUE** : Portez attention au jeu entre les lames. Un jeu trop important peut affecter la qualité de la coupe, tandis qu'un jeu trop faible peut entraîner une surcharge du moteur et réduire la durée de fonctionnement de l'outil.

## Retrait ou mise en place des lames du sécateur

Pour retirer les lames du sécateur, exécutez les étapes suivantes :

1. Inclinez d'abord le sélecteur de l'angle d'ouverture vers la gauche pour ouvrir complètement les lames.
2. Allumez l'outil et enclenchez la gâchette pour ouvrir les lames du sécateur.
3. Avec les lames du sécateur ouvertes, éteignez l'outil. Et débranchez le cordon de raccordement de l'outil.

► **Fig.28**

4. Retirez les deux boulons près de la gâchette avec la clé hexagonale.

Retirez le carter de protection de la gâchette en séparant la languette sur le carter de protection de la rainure du logement.

► **Fig.29**: 1. Boulons 2. Carter de protection de la gâchette

5. Retirez l'anneau de retenue de type E du bras de liaison avec un tournevis plat ou similaire.

► **Fig.30**: 1. Anneau de retenue de type E 2. Bras de liaison

**REMARQUE** : L'anneau de retenue de type E est une pièce d'usure. Ne réutilisez pas l'anneau de retenue de type E lors du remontage.

6. Retirez avec précaution la broche.

► **Fig.31**: 1. Broche

7. Retirez les deux boulons du côté du logement.

► **Fig.32**: 1. Boulons

8. Retirez avec précaution le sécateur supérieur et inférieur du logement.

► **Fig.33**

9. Pour séparer la lame supérieure et la lame inférieure, commencez par desserrer le boulon de fixation de la plaque.

Puis retirez la plaque pivot.

► **Fig.34**: 1. Boulon de fixation de la plaque 2. Plaque pivot

10. Desserrez et retirez l'écrou de serrage des lames.

► **Fig.35**: 1. Écrou de serrage des lames 2. Boulon de serrage des lames

Pour installer les lames du sécateur, exécutez les procédures ci-dessus dans l'ordre inverse. Assurez-vous que tous les boulons sont solidement serrés.

Après avoir installé la lame, réglez toujours le jeu entre les lames. (Voir « Réglage du jeu entre les lames ».)

Pour installer les lames du sécateur, exécutez les procédures ci-dessus dans l'ordre inverse. Lors de la mise en place des lames du sécateur, prêtez attention aux points suivants :

- Appliquez de l'huile machine ou de la graisse sur le boulon de serrage des lames et entre les lames.
- Si vous ne parvenez pas à placer correctement le boulon de fixation de la plaque, commencez par retirer le joint torique et le boulon de fixation de la plaque de la plaque pivot. Puis retournez la plaque pivot et remettez en place le joint torique et le boulon de fixation de la plaque.
- Lorsque vous installez le carter de protection de la gâchette, alignez la languette du carter de protection sur la rainure du logement.

► **Fig.36**

- Assurez-vous que tous les boulons sont solidement serrés.
- Après avoir installé la lame, réglez toujours le jeu entre les lames. (Voir « Réglage du jeu entre les lames ».)
- Après avoir installé la lame, réglez toujours la profondeur de coupe. (Voir « Réglage de la profondeur de coupe ».)

## Guide de dépannage

Avant de solliciter des réparations, vérifiez vous-même l'anomalie. Si vous trouvez une anomalie, contrôlez votre outil d'après les descriptions fournies dans ce manuel. Si la solution indiquée ci-dessous ne permet pas de résoudre le problème, confiez l'outil à votre centre d'entretien local agréé. Ne modifiez, ni ne démontez jamais les pièces contrairement à ce qui est expliqué dans ce manuel.

État d'anomalie	Cause probable (dysfonctionnement)	Solution
La lame du sécateur ne bouge pas même après avoir enclenché la gâchette.	La batterie est faible.	Rechargez la batterie.
	L'interrupteur I/O est sur la position « O » (arrêt).	Appuyez sur la position « I » (marche) de l'interrupteur I/O.
	Le sécateur est verrouillé.	Déverrouillez le sécateur en exécutant les étapes de « Interrupteur ».
	Le cordon de raccordement est lâche.	Vérifiez les points de connexion du cordon de raccordement entre boîtier de commande et le sécateur.
	Défaillance de la gâchette.	Arrêtez immédiatement d'utiliser l'outil et faites-le réparer par votre centre d'entretien local agréé.
Les lames du sécateur sont coincées dans une branche.	La branche est trop épaisse.	Relâchez la gâchette. Appuyez sur la position « O » (arrêt) de l'interrupteur I/O. Puis retirez lentement et tout droit les lames de la branche.
La gâchette est verrouillée et ne peut pas être enclenchée.	Les lames du sécateur sont ouvertes avec force.	Éteignez et allumez l'outil avec l'interrupteur I/O. (La lame supérieure du sécateur se ferme légèrement à la mise sous tension.)
La coupe est irrégulière.	Les lames du sécateur sont émoussées.	Aiguiser les lames du sécateur ou réglez le jeu entre les lames.
	Les lames du sécateur sont usées.	Remplacez les lames du sécateur.

Pour assurer la SÉCURITÉ et la FIABILITÉ du produit, toute réparation, tout travail d'entretien ou de réglage doivent être effectués par un centre d'entretien Makita agréé, avec des pièces de rechange Makita.

## ACCESSOIRES EN OPTION

**ATTENTION** : Ces accessoires ou pièces complémentaires sont recommandés pour l'utilisation avec l'outil Makita spécifié dans ce mode d'emploi. L'utilisation de tout autre accessoire ou pièce complémentaire peut comporter un risque de blessure. N'utilisez les accessoires ou pièces complémentaires qu'aux fins auxquelles ils ont été conçus.

Pour obtenir plus de détails sur ces accessoires, contactez votre centre d'entretien local Makita.

- Lame supérieure du sécateur
- Lame inférieure du sécateur
- Lime diamantée
- Attache de bras
- Gaine
- Porte-cordon
- Batterie et chargeur Makita d'origine

**NOTE** : Il se peut que certains éléments de la liste soient compris dans l'emballage de l'outil en tant qu'accessoires standard. Ils peuvent varier d'un pays à l'autre.








## TECHNISCHE DATEN

<b>Modell:</b>	<b>DUP361</b>	
Max. Schnittleistung	33 mm	
Gesamtlänge (Scherenteil)	305 mm	
Nennspannung	Gleichstrom 36 V	
Akku	BL1815N, BL1820, BL1820B	BL1830, BL1840, BL1840B, BL1850, BL1850B, BL1860B
Nettogewicht (mit Schere, Schaltkasten, Verbindungskabel, zwei Akkus und Rucksack)	3,3 kg	3,8 kg

- Wir behalten uns vor, Änderungen der technischen Daten im Zuge der Entwicklung und des technischen Fortschritts ohne vorherige Ankündigung vorzunehmen.
- Die technischen Daten und der Akku können von Land zu Land unterschiedlich sein.
- Gewicht mit Akku nach EPTA-Verfahren 01/2003

### Symbole

Nachfolgend werden die für das Gerät verwendeten Symbole beschrieben. Machen Sie sich vor der Benutzung mit ihrer Bedeutung vertraut.

	Betriebsanleitung lesen.
	Keiner Feuchtigkeit aussetzen.
	Gefahr durch herausgeschleuderte Objekte.
	Umstehende Personen fern halten.
 Cd Ni-MH Li-ion	Nur für EU-Länder Werfen Sie Elektrogeräte oder Akkus nicht in den Hausmüll! Unter Einhaltung der Europäischen Richtlinie über Elektro- und Elektronik-Altgeräte, Batterien, Akkus sowie verbrauchte Batterien und Akkus und ihre Umsetzung gemäß den Landesgesetzen müssen Elektrogeräte und Batterien bzw. Akkus, die das Ende ihrer Lebensdauer erreicht haben, getrennt gesammelt und einer umweltgerechten Recycling-Einrichtung zugeführt werden.

### Vorgesehene Verwendung

Das Werkzeug ist für das Abschneiden von Zweigen oder Ästen vorgesehen.

### Geräusch

Typischer A-bewerteter Geräuschpegel ermittelt gemäß EN50636:

Schalldruckpegel ( $L_{pA}$ ): 70 dB (A) oder weniger  
Messunsicherheit (K): 3,2 dB (A)

Der Geräuschpegel kann während des Betriebs 80 dB (A) überschreiten.

**⚠️ WARNUNG:** Einen Gehörschutz tragen.

### Schwingungen

Schwingungsgesamtwert (Drei-Achsen-Vektorsumme) ermittelt gemäß EN50636:  
Schwingungsemission ( $a_h$ ): 2,5 m/s<sup>2</sup> oder weniger  
Messunsicherheit (K): 1,5 m/s<sup>2</sup>

**HINWEIS:** Der angegebene Schwingungsemissionswert wurde im Einklang mit der Standardprüfmethode gemessen und kann für den Vergleich zwischen Werkzeugen herangezogen werden.

**HINWEIS:** Der angegebene Schwingungsemissionswert kann auch für eine Vorbewertung des Gefährdungsgrads verwendet werden.

**⚠️ WARNUNG:** Die Schwingungsemission während der tatsächlichen Benutzung des Elektrowerkzeugs kann je nach der Benutzungsweise des Werkzeugs vom angegebenen Emissionswert abweichen.

**⚠️ WARNUNG:** Identifizieren Sie Sicherheitsmaßnahmen zum Schutz des Benutzers anhand einer Schätzung des Gefährdungsgrads unter den tatsächlichen Benutzungsbedingungen (unter Berücksichtigung aller Phasen des Arbeitszyklus, wie z. B. Ausschalt- und Leerlaufzeiten des Werkzeugs zusätzlich zur Betriebszeit).

### EG-Konformitätserklärung

#### Nur für europäische Länder

Makita erklärt, dass die folgende(n) Maschine(n):

Bezeichnung der Maschine: Akku-Astschere

Modell-Nr./Typ: DUP361

Entspricht den folgenden europäischen Richtlinien: 2006/42/EG

Sie werden gemäß den folgenden Standards oder standardisierten Dokumenten hergestellt: EN ISO 12100  
Die technische Akte in Übereinstimmung mit 2006/42/EG ist erhältlich von:

Makita, Jan-Baptist Vinkstraat 2, 3070, Belgien



Yasushi Fukaya  
Direktor  
Makita, Jan-Baptist Vinkstraat 2, 3070, Belgien

## Sicherheitswarnungen für Astschere

**⚠️ WARNUNG:** Lesen Sie alle Sicherheitswarnungen und Anweisungen durch. Eine Missachtung der unten aufgeführten Warnungen und Anweisungen kann zu einem elektrischen Schlag, Brand und/oder schweren Verletzungen führen.

## Bewahren Sie alle Warnungen und Anweisungen für spätere Bezugnahme auf.

Der Ausdruck „Elektrowerkzeug“ in den Warnhinweisen bezieht sich auf Ihr mit Netzstrom (mit Kabel) oder Akku (ohne Kabel) betriebenes Elektrowerkzeug.

1. **Benutzen Sie persönliche Schutzausrüstung. Tragen Sie stets einen Augenschutz.** Sachgemäßer Gebrauch von Schutzausrüstung (z. B. Staubmaske, rutschfeste Sicherheitsschuhe, Helm und Gehörschutz) trägt zu einer Reduzierung der Verletzungsgefahr bei.
2. **Unbeabsichtigtes Einschalten verhüten. Vergewissern Sie sich, dass sich der Ein-Aus-Schalter in der Aus-Stellung befindet, bevor Sie die Stromquelle und/oder den Akku anschließen bzw. das Werkzeug aufheben oder tragen.** Das Tragen von Elektrowerkzeugen mit dem Finger am Ein-Aus-Schalter oder das Anschließen bei eingeschaltetem Ein-Aus-Schalter führt zu Unfällen.
3. **Zweckmäßige Kleidung tragen. Tragen Sie keine lose Kleidung oder Schmuck. Halten Sie Haare, Kleidung und Handschuhe von beweglichen Teilen fern.** Lose Kleidung, Schmuck oder langes Haar kann sich in beweglichen Teilen verfangen.
4. **Dieses Werkzeug dient zum Abschneiden von Ästen.** Verwenden Sie das Werkzeug für keine Arbeit, die nicht bestimmungsgemäß ist.
5. **Lassen Sie niemals zu, dass Kinder, Personen mit verminderten körperlichen, sensorischen oder geistigen Fähigkeiten oder Mangel an Erfahrung und Kenntnissen, oder Personen, die nicht mit diesen Anweisungen vertraut sind, das Werkzeug benutzen.** Örtliche Vorschriften können das Alter der Bedienungsperson einschränken.
6. **Betreiben Sie das Werkzeug keinesfalls, während sich Personen, besonders Kinder, oder Haustiere in der Nähe aufhalten.**
7. **Übernehmen Sie sich nicht, und behalten Sie stets Ihr Gleichgewicht bei.** An Hängen stets auf sicheren Stand achten. Immer nur gehen, niemals laufen.
8. **Berühren Sie keine beweglichen gefährlichen Teile, bevor Sie das Werkzeug vom Stromnetz getrennt und/oder den Akku vom Werkzeug abgenommen haben.**

9. **Tragen Sie immer kräftiges Schuhwerk und lange Hosen während der Benutzung des Werkzeugs.**
10. **Trennen Sie die Stromversorgung ab und/oder trennen Sie den Akku vom Werkzeug:**
  - wann immer Sie das Werkzeug liegen lassen,
  - bevor Sie eine Blockierung beseitigen,
  - bevor Sie das Werkzeug überprüfen, reinigen oder daran arbeiten,
  - nachdem Sie auf einen Fremdkörper gestoßen sind, um das Werkzeug auf Beschädigung zu untersuchen,
  - falls das Werkzeug beginnt, ungewöhnlich heftig zu vibrieren, um es sofort zu überprüfen.
11. **Betreiben Sie das Werkzeug niemals mit defekten Schutzhauben oder Abschirmungen oder ohne Sicherheitsvorrichtungen, oder wenn das Kabel beschädigt oder abgenutzt ist.**
12. **Vermeiden Sie die Benutzung des Werkzeugs bei schlechten Witterungsverhältnissen, besonders bei Blitzschlaggefahr.**
13. **Unterlassen Sie die Benutzung des Werkzeugs oder Laden des Akkus bei Regen.**
14. **Lassen Sie das Werkzeug nicht im Regen oder an feuchten Orten liegen.**
15. **Achten Sie darauf, dass keine Fremdkörper zwischen den Messern hängen bleiben.** Falls die Messer durch Fremdkörper blockiert sind, schalten Sie das Werkzeug sofort aus, und trennen Sie den Akku vom Werkzeug. Entfernen Sie dann den Fremdkörper von den Messern.
16. **Halten Sie niemals den Ast, den Sie abschneiden, mit Ihrer freien Hand.** Halten Sie Ihre freie Hand vom Schnittbereich fern. Berühren Sie niemals die Messer. Sie sind sehr scharf und können Verletzungen verursachen.
17. **Wenden Sie keine Gewalt auf das Werkzeug an, um Schnitte auszuführen.** Sie könnten sonst abrutschen und sich selbst verletzen oder einen anderen Gegenstand unbeabsichtigt schneiden.
18. **Vermeiden Sie das Durchtrennen von verborgenen elektrischen Leitungen.**
19. **Unterziehen Sie die Messer vor dem Betrieb einer sorgfältigen Überprüfung.**
20. **Behandeln Sie die Messer mit äußerster Sorgfalt, um Schnitte oder Verletzungen durch die Messer zu verhüten.**
21. **Trennen Sie den Akku nach jeder Benutzung und vor jeglichen Inspektions- oder Wartungsarbeiten vom Werkzeug ab.**
22. **Bewahren Sie das Werkzeug bei Nichtbenutzung immer in seinem Halfter auf.**

### Gebrauch und Pflege von Akkuwerkzeugen

1. **Laden Sie den Akku nur mit dem vom Hersteller vorgeschriebenen Ladegerät.** Ein Ladegerät, das für einen Akkutyp geeignet ist, kann bei Verwendung mit einem anderen Akku eine Brandgefahr darstellen.
2. **Benutzen Sie Elektrowerkzeuge nur mit den ausdrücklich vorgeschriebenen Akkus.** Bei Verwendung irgendwelcher anderer Akkus besteht Verletzungs- und Brandgefahr.

3. **Bewahren Sie den Akku bei Nichtgebrauch nicht zusammen mit Metallgegenständen, wie Büroklammern, Münzen, Schlüsseln, Nägeln, Schrauben, und anderen kleinen Metallteilen auf, welche die Kontakte kurzschließen können.** Kurzschließen der Akkukontakte kann Verbrennungen oder einen Brand verursachen.
4. **Bei Missbrauch kann Flüssigkeit aus dem Akku austreten. Vermeiden Sie Kontakt mit dieser Flüssigkeit. Falls Sie versehentlich mit der Flüssigkeit in Berührung kommen, spülen Sie die betroffenen Stellen mit Wasser ab. Falls die Flüssigkeit in die Augen gelangt, suchen Sie zusätzlich ärztliche Hilfe auf.** Die vom Akku austretende Flüssigkeit kann Hautreizungen oder Verätzungen verursachen.
6. **Lagern Sie das Werkzeug und den Akku nicht an Orten, an denen die Temperatur 50 °C erreichen oder überschreiten kann.**
7. **Versuchen Sie niemals, den Akku zu verbrennen, selbst wenn er stark beschädigt oder vollkommen verbraucht ist. Der Akku kann im Feuer explodieren.**
8. **Achten Sie darauf, dass der Akku nicht fallen gelassen oder Stößen ausgesetzt wird.**
9. **Benutzen Sie keine beschädigten Akkus.**
10. **Befolgen Sie die örtlichen Bestimmungen bezüglich der Entsorgung von Akkus.**

## DIESE ANWEISUNGEN AUFBEWAHREN.

### Wartung

1. **Lassen Sie Ihr Elektrowerkzeug nur unter Verwendung identischer Ersatzteile von einem qualifizierten Wartungstechniker warten.** Dadurch wird die Aufrechterhaltung der Sicherheit des Elektrowerkzeugs gewährleistet.
2. **Befolgen Sie die Anweisungen für die Schmierung und den Austausch von Zubehör.**
3. **Halten Sie Griffe trocken, sauber und frei von Öl und Fett.**

**⚠️ WARNUNG:** Lassen Sie sich NICHT durch Bequemlichkeit oder Vertrautheit mit dem Produkt (durch wiederholten Gebrauch erworben) von der strikten Einhaltung der Sicherheitsregeln für das vorliegende Produkt abhalten. MISSBRAUCH oder Missachtung der Sicherheitsvorschriften in dieser Anleitung können schwere Personenschäden verursachen.

## Wichtige Sicherheitsanweisungen für Akku

1. **Lesen Sie vor der Benutzung des Akkus alle Anweisungen und Warnhinweise, die an (1) Ladegerät, (2) Akku und (3) Akkuwerkzeug angebracht sind.**
2. **Unterlassen Sie ein Zerlegen des Akkus.**
3. **Falls die Betriebszeit beträchtlich kürzer geworden ist, stellen Sie den Betrieb sofort ein. Anderenfalls besteht die Gefahr von Überhitzung, möglichen Verbrennungen und sogar einer Explosion.**
4. **Falls Elektrolyt in Ihre Augen gelangt, waschen Sie sie mit sauberem Wasser aus, und begeben Sie sich unverzüglich in ärztliche Behandlung. Anderenfalls können Sie Ihre Sehkraft verlieren.**
5. **Der Akku darf nicht kurzgeschlossen werden:**
  - (1) **Die Kontakte dürfen nicht mit leitfähigem Material berührt werden.**
  - (2) **Lagern Sie den Akku nicht in einem Behälter zusammen mit anderen Metallgegenständen, wie z. B. Nägel, Münzen usw.**
  - (3) **Setzen Sie den Akku weder Wasser noch Regen aus.**

Ein Kurzschluss des Akkus verursacht starken Stromfluss, der Überhitzung, mögliche Verbrennungen und einen Defekt zur Folge haben kann.

**⚠️ VORSICHT:** Verwenden Sie nur **Original-Makita-Akkus**. Die Verwendung von Nicht-Original-Makita-Akkus oder von Akkus, die abgeändert worden sind, kann zum Bersten des Akkus und daraus resultierenden Bränden, Personenschäden und Beschädigung führen. Außerdem wird dadurch die Makita-Garantie für das Makita-Werkzeug und -Ladegerät ungültig.

## Hinweise zur Aufrechterhaltung der maximalen Akku-Nutzungsdauer

1. **Laden Sie den Akku, bevor er vollkommen erschöpft ist. Schalten Sie das Werkzeug stets aus, und laden Sie den Akku, wenn Sie ein Nachlassen der Werkzeugleistung feststellen.**
2. **Unterlassen Sie erneutes Laden eines voll aufgeladenen Akkus. Überladen führt zu einer Verkürzung der Nutzungsdauer des Akkus.**
3. **Laden Sie den Akku bei Raumtemperatur zwischen 10 – 40 °C. Lassen Sie einen heißen Akku abkühlen, bevor Sie ihn laden.**
4. **Der Akku muss geladen werden, wenn er lange Zeit (länger als sechs Monate) nicht benutzt wird.**

## N-Zeichen

Das N-Zeichen ist ein Markenzeichen bzw. ein eingetragenes Markenzeichen von NFC Formula, Inc. in den USA und anderen Ländern der Welt.

# BEZEICHNUNG DER TEILE

► Abb.1

1	Tragegurt	2	Rucksack	3	Schaltkasten	4	Kontrolllampe (rot)
5	Kontrolllampe (grün)	6	I/O-Schalter	7	Halfter	8	Kabelhalter
9	Verbindungskabel	10	Schere	11	Ein-Aus-Schalter	-	-

## FUNKTIONSBESCHREIBUNG

**⚠ VORSICHT:** Vergewissern Sie sich vor der Durchführung von Einstellungen oder Funktionsprüfungen des Werkzeugs stets, dass das Werkzeug ausgeschaltet und der Akku abgenommen ist.

## Anbringen und Abnehmen des Akkus

**⚠ VORSICHT:** Schalten Sie das Werkzeug stets aus, bevor Sie den Akku anbringen oder abnehmen.

**⚠ VORSICHT:** Halten Sie das Werkzeug und den Akku beim Anbringen oder Abnehmen des Akkus sicher fest. Wenn Sie das Werkzeug und den Akku nicht sicher festhalten, können sie Ihnen aus der Hand rutschen, was zu einer Beschädigung des Werkzeugs und des Akkus und zu Körperverletzungen führen kann.

► Abb.2: 1. Rote Anzeige 2. Knopf 3. Akku 4. Akkuhalter

Ziehen Sie den Akku zum Abnehmen vom Werkzeug ab, während Sie den Knopf an der Vorderseite des Akkus verschieben.

Richten Sie zum Anbringen des Akkus dessen Führungsfeder auf die Nut im Gehäuse aus, und schieben Sie den Akku hinein. Schieben Sie ihn vollständig ein, bis er mit einem hörbaren Klicken einrastet. Falls die rote Anzeige an der Oberseite des Knopfes sichtbar ist, ist der Akku nicht vollständig verriegelt.

**⚠ VORSICHT:** Schieben Sie den Akku stets bis zum Anschlag ein, bis die rote Anzeige nicht mehr sichtbar ist. Anderenfalls kann er aus dem Werkzeug herausfallen und Sie oder umstehende Personen verletzen.

**⚠ VORSICHT:** Unterlassen Sie Gewaltanwendung beim Anbringen des Akkus. Falls der Akku nicht reibungslos hineingleitet, ist er nicht richtig ausgerichtet.

**HINWEIS:** Das Werkzeug funktioniert nicht mit nur einem Akku.

## Werkzeug/Akku-Schutzsystem

Das Werkzeug ist mit einem Werkzeug/Akku-Schutzsystem ausgestattet. Dieses System schaltet die Stromversorgung des Motors automatisch ab, um die Lebensdauer von Werkzeug und Akku zu verlängern.

Das Werkzeug bleibt während des Betriebs automatisch stehen, wenn das Werkzeug oder der Akku einer der folgenden Bedingungen unterliegt. Unter manchen Bedingungen leuchten die Lampen am Schaltkasten auf.

### Überlastschutz

Wird das Werkzeug auf eine Weise benutzt, die eine ungewöhnlich hohe Stromaufnahme bewirkt, bleibt es ohne jegliche Anzeige automatisch stehen. Schalten Sie in dieser Situation das Werkzeug aus, und brechen Sie die Arbeit ab, die eine Überlastung des Werkzeugs verursacht hat. Schalten Sie dann das Werkzeug wieder ein, um neu zu starten.

### Überhitzungsschutz

Wenn das Werkzeug überhitzt wird, bleibt es automatisch stehen, und die grüne Lampe am Schaltkasten blinkt. Lassen Sie das Werkzeug in dieser Situation abkühlen, bevor Sie es wieder einschalten.

### Überentladungsschutz








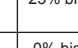


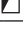

Wenn die Akkukapazität niedrig wird, bleibt das Werkzeug automatisch stehen. Und die rote Lampe am Schaltkasten leuchtet auf oder blinkt. Falls das Produkt trotz Betätigung der Schalter nicht funktioniert, entfernen Sie die Akkus aus dem Akkuhalter, und laden Sie sie auf.




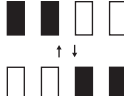
## Anzeigen der Akku-Restkapazität

**Nur für Akkus mit „B“ am Ende der Modellnummer**

► Abb.3: 1. Anzeigelampen 2. Prüftaste

Drücken Sie die Prüftaste am Akku, um die Akku-Restkapazität anzuzeigen. Die Anzeigelampen leuchten wenige Sekunden lang auf.

Anzeigelampen			Restkapazität
 Erleuchtet	 Aus	 Blinkend	
			75 % bis 100 %
			50% bis 75%
			25% bis 50%
			0% bis 25%
			Den Akku aufladen.

Anzeigelampen			Restkapazität
 Erleuchtet	 Aus	 Blinkend	
			Möglicherweise liegt eine Funktionsstörung im Akku vor.

**HINWEIS:** Abhängig von den Benutzungsbedingungen und der Umgebungstemperatur kann die Anzeige geringfügig von der tatsächlichen Kapazität abweichen.

## Schalterfunktion

**⚠ VORSICHT:** Vergewissern Sie sich vor dem Anschluss des Akkus an die Schere stets, dass der Ein-Aus-Schalter einwandfrei funktioniert und bei Loslassen in die „AUS“-Stellung zurückkehrt.

**⚠ VORSICHT:** Wenn Sie das Werkzeug nicht benutzen, vergewissern Sie sich stets, dass sich der I/O-Schalter in der Stellung „O“ befindet.

**⚠ VORSICHT:** Stellen Sie den I/O-Schalter nicht auf die Stellung „I“ (EIN), während Sie den Ein-Aus-Schalter betätigen. Die Messer schließen sich geringfügig, wodurch Personenschäden verursacht werden können.

Gehen Sie zum Einschalten des Werkzeugs wie folgt vor:

1. Schließen Sie Schaltkasten, Verbindungskabel und Schere an. (Siehe „Installieren des Verbindungskabels“.)

2. Halten Sie die Schere mit festem Griff, und drücken Sie den I/O-Schalter auf die Stellung „I“ (EIN). Die grüne Kontrolllampe leuchtet auf.

▶ **Abb.4:** 1. I/O-Schalter 2. Kontrolllampe (grün)

3. Kontrolllampe (rot)

3. Die Schermesser befinden sich im Spermodus, wenn der I/O-Schalter eingeschaltet wird. Um die Sperre aufzuheben, betätigen Sie den Ein-Aus-Schalter zweimal. Das obere Schermesser öffnet automatisch.

4. Zum Schließen des Schermessers betätigen Sie den Ein-Aus-Schalter.

▶ **Abb.5:** 1. Ein-Aus-Schalter

## Automatische Umschaltung auf Spermodus und Abschaltmodus

Aus Sicherheitsgründen schaltet das Werkzeug automatisch in den Spermodus oder Abschaltmodus, wenn es eine bestimmte Zeitlang unberührt bleibt.

Nach 5 Minuten: Das Werkzeug schaltet in den Spermodus. Betätigen Sie den Ein-Aus-Schalter zweimal, um die Sperre aufzuheben.

Nach 15 Minuten: Das Werkzeug schaltet in den Abschaltmodus, und die grüne Kontrolllampe erlischt. Drücken Sie den I/O-Schalter kurz auf die Stellung „O“ (AUS) und dann wieder auf die Stellung „I“ (EIN), und betätigen Sie dann den Ein-Aus-Schalter zweimal, um die Sperre aufzuheben.

## Öffnungswinkel-Wählhebel

▶ **Abb.6:** 1. Öffnungswinkel-Wählhebel

Durch Kippen des Öffnungswinkel-Wählhebels nach links können Sie das obere Schermesser weiter öffnen. Um den Öffnungswinkel des oberen Schermessers zu begrenzen, drücken Sie zunächst den Ein-Aus-Schalter ganz durch, und stellen Sie dann den Öffnungswinkel-Wählhebel auf die Normalstellung zurück.

## Einstellung der Schnitttiefe

**⚠ VORSICHT:** Bringen Sie nicht Ihre Hände oder andere Körperteile in die Nähe der Schermesser. Anderenfalls kann es zu Personenschaden kommen.

Nach dem Schärfen oder Auswechseln der Schermesser muss gegebenenfalls die Schnitttiefe eingestellt werden.

Schalten Sie das Werkzeug ein, und betätigen Sie den Ein-Aus-Schalter zweimal, um die Schermesser zu öffnen, und stellen Sie dann den I/O-Schalter auf die Stellung „O“ (AUS).

Um die Schnitttiefe zu vergrößern, drehen Sie die Schnitttiefen-Einstellschraube mit dem Inbusschlüssel im Uhrzeigersinn. Und um die Schnitttiefe zu verkleinern, drehen Sie die Schnitttiefen-Einstellschraube entgegen dem Uhrzeigersinn.

▶ **Abb.7:** 1. Schnitttiefen-Einstellschraube

**HINWEIS:** Überprüfen Sie die Schnitttiefe nach der Einstellung. Falls die Schnitttiefe zu flach ist, wird der Ast u. U. nicht ganz abgeschnitten.

## Kontrolllampen am Schaltkasten

▶ **Abb.8:** 1. I/O-Schalter 2. Kontrolllampe (grün)  
3. Kontrolllampe (rot)


Die grüne und die rote Lampe zeigen folgende Zustände an:

(Ein: ● Aus: ○ Blinken: ☀)


- Die grüne Lampe leuchtet auf: Das Werkzeug ist eingeschaltet.

Grün	Rot
●	○

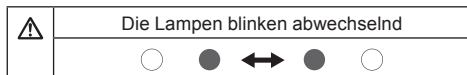
- Die grüne Lampe blinkt: Das Werkzeug ist überhitzt. Lassen Sie das Werkzeug abkühlen, bevor Sie es wieder einschalten.

	Grün	Rot
	☀	○

- Die grüne Lampe leuchtet auf, und die rote Lampe blinkt oder leuchtet auf: Der Akku ist schwach oder nahezu erschöpft. Laden Sie die Akkus auf. Wenn einer der Akkus schwach wird, blinkt die rote Lampe, selbst wenn der andere Akku voll aufgeladen ist.

	Grün	Rot
	●	☀ / ●

- Die grüne und die rote Lampe blinken abwechselnd: Das Werkzeug erkennt eine Kabelstörung. Überprüfen Sie das Verbindungskabel auf Wackelkontakt mit dem Schaltkasten und der Schere. Falls die Lampen noch immer abwechselnd blinken, brechen Sie die Benutzung des Werkzeugs unverzüglich ab, trennen Sie das Verbindungskabel ab, entfernen Sie den Akku, und wenden Sie sich bezüglich einer Reparatur an Ihr örtliches autorisiertes Service-Center.



## MONTAGE

**⚠ VORSICHT:** Vergewissern Sie sich vor der Ausführung von Arbeiten am Werkzeug stets, dass das Werkzeug ausgeschaltet und der Akku abgenommen ist.

### Einsetzen des Akkuhalters in den Rucksack

► **Abb.9:** 1. Schnalle 2. Akkuhalter 3. Riemen

- Führen Sie der Schaltkasten durch die Öffnung (entweder auf der rechten oder linken Seite) des Rucksacks.
- Führen Sie den Riemen durch die rechteckige Öffnung im Akkuhalter, und sichern Sie den Akkuhalter mit der Schnalle. Vergewissern Sie sich, dass der Akkuhalter fest im Rucksack sitzt.

### Montieren des Halfters

► **Abb.10:** 1. Halfter 2. Riemen

Führen Sie den Gurt der unteren Schnalle durch die Öffnung des Halfters.

### Einstellen des Tragegurts

Stellen Sie den Tragegurt wie folgt ein:

- Schließen und verriegeln Sie die untere Schnalle, und stellen Sie ihre Gurtlänge ein.  
► **Abb.11:** 1. Untere Schnalle
- Stellen Sie die Länge des Schulterriemens ein.  
► **Abb.12**
- Stellen Sie die Position der oberen Schnalle ein. Schließen und verriegeln Sie die obere Schnalle, und stellen Sie ihre Gurtlänge ein.  
► **Abb.13:** 1. Obere Schnalle

**⚠ VORSICHT:** Öffnen Sie im Notfall schnell die untere und obere Schnalle, lockern Sie die Schulterriemen, und legen Sie den Rucksack ab.

## Installieren des Verbindungskabels

**⚠ VORSICHT:** Vergewissern Sie sich stets, dass sich der I/O-Schalter des Schaltkastens in der Stellung „0“ befindet, bevor Sie das Verbindungskabel anbringen.

**⚠ VORSICHT:** Betreiben Sie das Werkzeug nicht, wenn das Verbindungskabel beschädigt ist.

**ANMERKUNG:** Behandeln Sie das Verbindungskabel sorgfältig. Tragen Sie das Werkzeug nicht durch Ziehen am Verbindungskabel. Halten Sie das Verbindungskabel von Hitze, Öl oder scharfen Kanten fern. Anderenfalls kann das Verbindungskabel beschädigt werden.

Bringen Sie das Verbindungskabel wie folgt an Schaltkasten und Schere an:

- Richten Sie zuerst das Dreieckszeichen am Stecker des Verbindungskabels auf das Dreieckszeichen an der Buchse des Schaltkastens aus. Führen Sie den Stecker des Verbindungskabels in die Buchse des Schaltkastens ein. Richten Sie dann die Markierung an der Kupplung auf die Dreieckszeichen aus, drücken Sie die Kupplung hinein, und drehen Sie sie zum Anziehen.  
► **Abb.14:** 1. Dreieckszeichen  
2. Verbindungskabel 3. Schaltkasten  
4. Markierung an der Kupplung 5. Kupplung

**ANMERKUNG:** Um das Verbindungskabel abzutrennen, drehen Sie die Kupplung, und richten Sie die Markierung an der Kupplung zuerst auf die Dreieckszeichen aus.

- Hängen Sie den Schaltkasten an das Koppel oder den oberen Gurt.

► **Abb.15**

- Schieben Sie das Verbindungskabel in die Schleife des Kabelhalters.

► **Abb.16**

Hängen Sie den Kabelhalter entweder an den oberen Gurt oder das Koppel, je nachdem, an welchem der Schaltkasten nicht angebracht ist.

Der Kabelhalter verhindert Baumeln des Verbindungskabels um Ihren Körper. Außerdem kann er versehentliches Durchtrennen des Verbindungskabels verhindern.

► **Abb.17**

► **Abb.18**

**ANMERKUNG:** Hängen Sie nichts anderes außer dem Verbindungskabel an den Kabelhalter. Anderenfalls kann der Kabelhalter beschädigt werden.

**ANMERKUNG:** Öffnen Sie den Kabelhalter nicht gewaltsam. Anderenfalls kann der Kabelhalter verformt oder beschädigt werden.

- Bringen Sie die Armbinde an Ihrem Arm an. Ziehen Sie das Verbindungskabel durch die Armbinde.

► **Abb.19:** 1. Armbinde

5. Richten Sie zuerst das Dreieckszeichen an der Buchse des Verbindungskabels auf das Dreieckszeichen am Stecker der Schere aus. Schieben Sie die Buchse des Verbindungskabels auf den Stecker der Schere. Richten Sie dann die Markierung an der Kupplung auf die Dreieckszeichen aus, drücken Sie die Kupplung hinein, und drehen Sie sie zum Anziehen.

► **Abb.20:** 1. Dreieckszeichen  
2. Verbindungskabel 3. Schere 4. Markierung an der Kupplung 5. Kupplung

**ANMERKUNG:** Um das Verbindungskabel abzutrennen, drehen Sie die Kupplung, und richten Sie die Markierung an der Kupplung zuerst auf die Dreieckszeichen aus.

## Einsetzen der Schere in den Halfter

Betätigen Sie den Ein-Aus-Schalter fortlaufend, um die Schermesser zu schließen, und drücken Sie den I/O-Schalter auf die Stellung „O“, um das Werkzeug auszuschalten. Stecken Sie dann die Schere in den Halfter, und sichern Sie sie mit dem Riemen des Halfters.

## BETRIEB

⚠ **VORSICHT:** Halten Sie das Werkzeug stets mit festem Griff. Achten Sie auf sicheren Stand.

⚠ **VORSICHT:** Bringen Sie während des Betriebs keinen Körperteil in die Nähe der Messer.

⚠ **VORSICHT:** Überprüfen Sie die Messer, Messerschrauben oder andere Teile vor Gebrauch, um sicherzugehen, dass sie nicht verschlissen oder beschädigt sind. Tauschen Sie verschlissene oder beschädigte Teile für sicheren Betrieb aus.

**ANMERKUNG:** Falls das Messer während des Betriebs in einem Ast hängen bleibt, verdrehen Sie das Messer nicht. Schalten Sie in einer solchen Situation das Werkzeug aus, und ziehen Sie die Messer gerade und langsam aus dem Ast heraus. Anderenfalls kann das Messer beschädigt werden.

**ANMERKUNG:** Falls Sie einen zu dicken Ast oder einen zu harten Gegenstand schneiden, wird der Überlastschutz aktiviert und das Werkzeug angehalten. Wird in einer solchen Situation das obere Schermesser zu weit geöffnet und der Ein-Aus-Schalter ganz durchgedrückt, schließt sich das Obermesser geringfügig, wenn Sie den I/O-Schalter auf die Stellung „I“ (EIN) drücken, um das Werkzeug neu zu starten.

## Schnittbetrieb

► **Abb.21**

Schneiden Sie Äste einzeln ab. Die maximale Dicke von Ästen, die mit dieser Schere abgeschnitten werden können, beträgt etwa 33mm. Behalten Sie stets sicheren Stand und gute Balance bei.

## Nach dem Gebrauch

Schließen Sie die Schermesser, drücken Sie den I/O-Schalter auf die Stellung „O“ (AUS), trennen Sie das Verbindungskabel von Schere und Schaltkasten ab, und nehmen Sie die Akkus vom Akkuhalter ab. Bewahren Sie die Schere an einem trockenen, hochgelegenen oder abschließbaren Ort auf – außer Reichweite von Kindern.

**ANMERKUNG:** Trennen Sie den Akku ab, wenn Sie die Schere nicht benutzen. Anderenfalls verringert sich die Akkukapazität im Laufe der Zeit.

## WARTUNG

⚠ **VORSICHT:** Vergewissern Sie sich vor der Durchführung von Inspektions- oder Wartungsarbeiten stets, dass das Werkzeug ausgeschaltet und der Akku abgenommen ist.

⚠ **VORSICHT:** Tragen Sie Schutzhandschuhe bei der Handhabung der Messer. Anderenfalls kann es zu Personenschaden kommen.

**ANMERKUNG:** Verwenden Sie auf keinen Fall Benzin, Waschbenzin, Verdünnern, Alkohol oder dergleichen. Solche Mittel können Verfärbung, Verformung oder Rissbildung verursachen.

## Messerwartung

**ANMERKUNG:** Eine Vernachlässigung der Messerwartung kann zu übermäßiger Messerreibung führen und die Betriebszeit pro Akkuladung verkürzen.

Unterziehen Sie die Schermesser vor und nach der Arbeit einer sorgfältigen Überprüfung. Reinigen Sie die Messer nach der Arbeit mit einer harten Bürste. Wischen Sie die Messer anschließend mit einem Tuch ab. Und tragen Sie Original-Makita-Maschinenöl auf die Messerschneiden und die beweglichen Teile auf.

► **Abb.22**

## Schärfen der Messer

### Oberes Schermesser

1. Setzen Sie die flache Oberfläche der Diamantfeile an die Messerschneide an.

Schieben Sie die Diamantfeile auf die Spitze des Messers zu, um die Messerschneide auf ihrer ganzen Länge zu schleifen.

Behalten Sie den gleichen flachen Kontakt mit der Feile über die gesamte Länge der Messerschneide bei.

► **Abb.23:** 1. Diamantfeile

2. Setzen Sie die flache Oberfläche der Diamantfeile leicht an die Rückseite des Messers an.

Schieben Sie die Diamantfeile leicht auf die Spitze des Messers zu, um Grate zu entfernen.

**ANMERKUNG:** Schärfen Sie diese Seite nicht zu viel. Feilen Sie leicht, um nur Grate zu entfernen. Anderenfalls kann das Messerspiel zu groß werden, oder die Lebensdauer des Messers kann verkürzt werden.

## Unteres Schermesser

1. Setzen Sie die runde Oberfläche der Diamantfeile an die Messerschneide an.

Schieben Sie die Diamantfeile auf die Spitze des Messers zu, um die Messerschneide auf ihrer ganzen Länge zu schleifen.

► **Abb.25**

2. Setzen Sie die flache Oberfläche der Diamantfeile leicht an die Rückseite des Messers an.

Schieben Sie die Diamantfeile leicht auf die Spitze des Messers zu, um Grate zu entfernen.

► **Abb.26**

**ANMERKUNG:** Schärfen Sie diese Seite nicht zu viel. Feilen Sie leicht, um nur Grate zu entfernen. Anderenfalls kann das Messerspiel zu groß werden, oder die Lebensdauer des Messers kann verkürzt werden.

## Einstellung des Messerspiels

- **Abb.27:** 1. Scheiben-Halteschraube  
2. Sicherungsscheibe 3. Messerspannmutter

Stellen Sie das Spiel der Schermesser von Zeit zu Zeit wie folgt ein:

1. Schalten Sie das Werkzeug ein, und betätigen Sie den Ein-Aus-Schalter, um die Schermesser zu öffnen.
2. Schalten Sie das Werkzeug bei offenen Schermessern aus. Und trennen Sie das Verbindungskabel vom Werkzeug.
3. Lösen Sie die Scheiben-Halteschraube. Entfernen Sie dann die Sicherungsscheibe.
4. Stellen Sie die Straffheit der Messerspannmutter von Hand ein (Anzugsmoment der Messerspannmutter: ca. 0,5 N•m).
5. Bringen Sie die Sicherungsscheibe und die Scheiben-Halteschraube wieder an.
6. Überprüfen Sie die Straffheit der Messer. Die Messer dürfen keinesfalls klappern, aber das Obermesser sollte sich etwa 3 mm weit von Hand öffnen oder schließen lassen. Falls die Messer zu straff oder zu locker sind, stellen Sie das Spiel erneut ein.

**ANMERKUNG:** Beachten Sie das Spiel der Messer. Ein zu großes Spiel kann zu stumpfen Schnitten, und ein zu kleines Spiel zu Überlastung des Motors und kurzer Betriebszeit des Werkzeugs führen.

## Demontieren oder Montieren der Schermesser

Führen Sie zum Demontieren der Schermesser die folgenden Schritte aus:

1. Kippen Sie den Öffnungswinkel-Wählhebel zuerst nach links, um die Messer vollständig zu öffnen.
2. Schalten Sie das Werkzeug ein, und betätigen Sie den Ein-Aus-Schalter, um die Schermesser zu öffnen.
3. Schalten Sie das Werkzeug bei offenen Schermessern aus. Und trennen Sie das Verbindungskabel vom Werkzeug.

► **Abb.28**

4. Entfernen Sie zwei Schrauben in der Nähe des Ein-Aus-Schalters mit dem Inbusschlüssel.

Entfernen Sie den Auslöserschutz, indem Sie die Feder am Auslöserschutz von der Nut des Gehäuses trennen.

- **Abb.29:** 1. Schrauben 2. Auslöserschutz

5. Entfernen Sie den E-Ring am Gelenkarm mit einem Schlitzschraubendreher oder dergleichen.

- **Abb.30:** 1. E-Ring 2. Gelenkarm

**ANMERKUNG:** Der E-Ring ist ein Verbrauchsteil. Der E-Ring darf beim Wiedereinbau nicht wiederverwendet werden.

6. Entfernen Sie den Stift vorsichtig.

- **Abb.31:** 1. Stift

7. Entfernen Sie zwei Schrauben von der Seite des Gehäuses.

- **Abb.32:** 1. Schrauben

8. Entfernen Sie das obere und untere Schermesser sorgfältig aus dem Gehäuse.

► **Abb.33**

9. Zum Trennen von Obermesser und Untermesser lösen Sie zuerst die Scheiben-Halteschraube. Entfernen Sie dann die Sicherungsscheibe.

- **Abb.34:** 1. Scheiben-Halteschraube  
2. Sicherungsscheibe

10. Lösen und entfernen Sie die Messerspannmutter.

- **Abb.35:** 1. Messerspannmutter  
2. Messerspannschraube

Zur Montage der Schermesser wenden Sie das obige Verfahren umgekehrt an. Vergewissern Sie sich, dass alle Schrauben sicher angezogen sind.

Stellen Sie nach der Messermontage immer das Messerspiel ein. (Siehe „Einstellung des Messerspiels“.)

Zur Montage der Schermesser wenden Sie das obige Verfahren umgekehrt an. Beachten Sie die folgenden Punkte bei der Montage der Schermesser:

- Tragen Sie Maschinenöl oder Schmierfett auf die Messerspannschraube und den Spalt zwischen den Messern auf.
- Wenn sich die Scheiben-Halteschraube nicht ordnungsgemäß anbringen lässt, entfernen Sie zuerst den O-Ring und die Scheiben-Halteschraube von der Sicherungsscheibe. Drehen Sie dann die Sicherungsscheibe um, und bringen Sie den O-Ring und die Scheiben-Halteschraube wieder an.



- Wenn Sie den Auslöserschutz montieren, richten Sie die Feder des Auslöserschutzes auf die Nut des Gehäuses aus.

► **Abb.36**

- Vergewissern Sie sich, dass alle Schrauben sicher angezogen sind.
- Stellen Sie nach der Montage des Messers immer das Messerspiel ein. (Siehe „Einstellung des Messerspiels“.)
- Stellen Sie nach der Montage des Messers immer die Schnitttiefe ein. (Siehe „Einstellung der Schnitttiefe“.)

## Fehlersuche

Versuchen Sie zunächst, ein Problem selbst zu beheben, bevor Sie eine Reparatur in Auftrag geben. Falls Sie eine Unregelmäßigkeit feststellen, kontrollieren Sie Ihr Werkzeug anhand der Beschreibung in diesem Handbuch. Lässt sich das Problem nicht durch die nachstehend angegebene Abhilfemaßnahme beheben, wenden Sie sich bezüglich einer Reparatur an Ihr örtliches autorisiertes Service-Center. Niemals Eingriffe vornehmen oder Teile ausbauen, die von der Beschreibung abweichen.

Zustand der Unregelmäßigkeit	Wahrscheinliche Ursache (Funktionsstörung)	Abhilfemaßnahme
Das Schermesser bewegt sich trotz Betätigung des Ein-Aus-Schalters nicht.	Der Akku ist schwach.	Laden Sie den Akku auf.
	Der I/O-Schalter befindet sich in der Stellung „AUS“.	Drücken Sie den I/O-Schalter auf die Stellung „I“ (EIN).
	Die Schere ist gesperrt.	Entsperren Sie die Schere, indem Sie die Schritte unter „Schalterbedienung“ ausführen.
	Das Verbindungskabel ist locker.	Überprüfen Sie die Anschlusspunkte des Verbindungskabels an Schaltkasten und Schere.
	Der Ein-Aus-Schalter ist defekt.	Brechen Sie sofort die Benutzung des Werkzeugs ab, und wenden Sie sich bezüglich einer Reparatur an Ihr örtliches autorisiertes Service-Center.
Die Schermesser klemmen am Ast.	Der Ast ist zu dick.	Lassen Sie den Ein-Aus-Schalter los. Drücken Sie den I/O-Schalter auf die Stellung „O“ (AUS). Ziehen Sie dann die Messer gerade und langsam aus dem Ast heraus.
Der Ein-Aus-Schalter ist verriegelt und kann nicht betätigt werden.	Die Schermesser werden gewaltsam geöffnet.	Schalten Sie das Werkzeug mit dem I/O-Schalter aus und wieder ein. (Das obere Schermesser schließt beim Einschalten geringfügig.)

Zustand der Unregelmäßigkeit	Wahrscheinliche Ursache (Funktionsstörung)	Abhilfemaßnahme
Der Schnitt ist nicht glatt.	Die Schermesser sind stumpf.	Schärfen Sie die Schermesser, oder stellen Sie das Messerspiel ein.
	Die Schermesser sind abgenutzt.	Tauschen Sie die Schermesser aus.

Um die SICHERHEIT und ZUVERLÄSSIGKEIT dieses Produkts zu gewährleisten, sollten Reparaturen und andere Wartungs- oder Einstellarbeiten nur von Makita-Vertragswerkstätten oder Makita-Kundendienstzentren unter ausschließlicher Verwendung von Makita-Originalersatzteilen ausgeführt werden.

## SONDERZUBEHÖR

**⚠ VORSICHT:** Die folgenden Zubehörteile oder Vorrichtungen werden für den Einsatz mit dem in dieser Anleitung beschriebenen Makita-Werkzeug empfohlen. Die Verwendung anderer Zubehörteile oder Vorrichtungen kann eine Verletzungsgefahr darstellen. Verwenden Sie Zubehörteile oder Vorrichtungen nur für ihren vorgesehenen Zweck.

Wenn Sie weitere Einzelheiten bezüglich dieser Zubehörteile benötigen, wenden Sie sich bitte an Ihre Makita-Kundendienststelle.

- Oberes Schermesser
- Unteres Schermesser
- Diamantfeile
- Armbinde
- Halfter
- Kabelhalter
- Original-Makita-Akku und -Ladegerät

**HINWEIS:** Manche Teile in der Liste können als Standardzubehör im Werkzeugsatz enthalten sein. Sie können von Land zu Land unterschiedlich sein.

**Makita** Jan-Baptist Vinkstraat 2, 3070, Belgium  
**Makita Corporation** Anjo, Aichi, Japan

[www.makita.com](http://www.makita.com)

885436-999 EN, FR, DE, IT, NL, ES, PT, DA, EL, TR 20150624
--