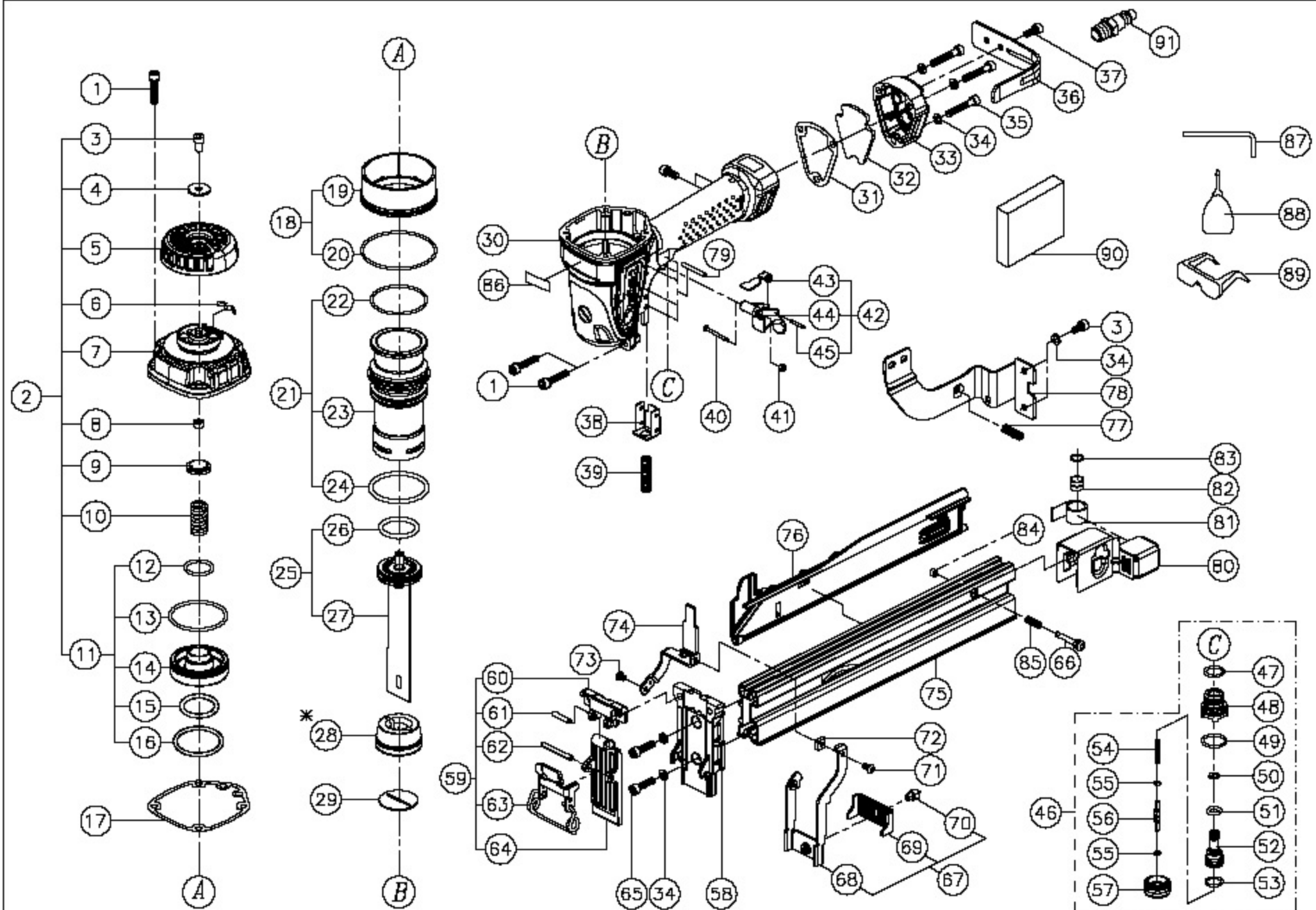


Parts List For Wide Crown Stapler AT2550A BEL FIN



MODEL:AT2550A 1"WIDE CROWN STAPLER

Item no.	PART NO.	DESCRIPTION	UNIT	Q'TY	SPEC
01	B0000-0301	SCREW SET 5*25	SET	2	
02	B0300-3471	TOP CAP SET	SET	1	
03	A0000-1131	SCREW 5*10	PCS	1	
04	A0005-1271	FLAT WASHER	PCS	1	
05	A0304-0611	EXHAUST COVER	PCS	1	
06	A0105-0081	LEAF SPRING	PCS	1	
07	A0301-1231	TOP CAP	PCS	1	
08	A0004-0001	HEX. NUT M5	PCS	1	
09	A0311-0631	SEAL AIR	PCS	1	
10	A0100-2391	COMPRESSION SPRING	PCS	1	
11	B0300-3441	DISC VALVE SET	SET	1	
12	A0200-2121	O-RING 20.8*2.4	PCS	1	
13	A0200-1701	O-RING 47.3*2.62	PCS	1	
14	A0308-0591	DISC VALVE	PCS	1	
15	A0200-4131	O-RING 30*4	PCS	1	
16	A0200-4121	O-RING 41.7*3.5	PCS	1	
17	A0205-0581	TOP CAP GASKET	PCS	1	
18	B0300-3481	SPACER SET	SET	1	
19	A0800-0871	SPACER "POM"	PCS	1	
20	A0200-3941	O-RING 60.8*2	PCS	1	
21	B0300-3491	CYLINDER SET	SET	1	
22	A0200-2231	O-RING 45*2	PCS	1	
23	A0303-0841	CYLINDER	PCS	1	
24	A0200-3821	O-RING 44.7*3.5	PCS	1	
25	B0600-1841	PISTON UNIT	SET	1	
26	A0200-3981	O-RING 30.7*3.5	PCS	1	
27	B0600-4251	DRIVER COMPLETE	SET	1	
28	A0309-0701	BUMPER	PCS	1	
29	A0310-0681	NOZZLE	PCS	1	
30	K0400-0641	HOUSING COMPLETE(FOR BEL,FIN)	PCS	1	BEL,FIN
30-1	A0401-1621	MAIN BODY	PCS	1	
30-2	A0204-1391	GRIP	PCS	1	
30-3	A0316-0301	HOUSING BUMPER (R)	PCS	1	
30-4	A0316-0291	HOUSING BUMPER (L)	PCS	1	
30-5	A0919-4951	CAUTION LABEL (BEL,FIN)	PCS	1	BEL,FIN
30-6	A0919-4961	WARNING LABEL (BEL,FIN)	PCS	1	BEL,FIN
31	A0205-0551	INLET CAP GASKET	PCS	1	
32	A0203-0151	INLET FILTER	PCS	1	
33	A0306-1111	INLET CAP(19NPT FOR BEL,FIN)	PCS	1	BEL,FIN
34	A0005-0031	WASHER #5*1.2t	PCS	7	
35	A0000-0161	SCREW 5*30	PCS	3	
36	A0316-0311	HOOK	PCS	1	
37	A0000-0061	SCREW 5*12	PCS	3	
38	A0712-1421	HOLDER	PCS	1	
39	A0100-2371	SPRING	PCS	1	
40	A0006-0732	TRIGGER PIN	PCS	1	
41	A0005-0311	PIN RETAINER 5.5*2	PCS	1	
42	B0500-1371	TRIGGER ASS'Y(DUAL-ACTION)	SET	1	
43	A0501-0551	TRIGGER, INNER	PCS	1	
44	A0500-0831	TRIGGER	PCS	1	

45	A0011-0251	SPRING PIN 2.5*16	PCS	1	
46	B0500-1351	TRIGGER VALVE SET	SET	1	
47	A0200-2111	O-RING 13.8*1.9	PCS	1	
48	A0503-0391	TRIGGER VALVE GUIDE "POM"	PCS	1	
49	A0200-2071	O-RING 17.8*1.9	PCS	1	
50	A0200-4061	O-RING 5.5*1.8	PCS	1	
51	A0200-2471	O-RING 7.59*2.62	PCS	1	
52	A0504-0641	PILOT VALVE	PCS	1	
53	A0200-4071	O-RING 12.1*1.7	PCS	1	
54	A0100-1301	COMPRESSION SPRING	PCS	1	
55	A0200-3891	O-RING 2.5*1.5	PCS	2	
56	A0504-0621	TRIGGER VALVE STEM	PCS	1	
57	A0503-0671	TRIGGER VALVE CASE	PCS	1	
58	A0713-0811	DRIVER GUIDE	PCS	1	
59	B0700-5131	DRIVER GUIDE COVER SET	SET	1	
60	A0719-0981	STOPPER	PCS	1	
61	A0006-0671	PIN	PCS	1	
62	A0011-0641	SPRING PIN 4*35	PCS	1	
63	B0800-0351	CLICK LEVER SET	PCS	1	
64	A0713-0821	DOOR	PCS	1	
65	A0000-0091	SCREW 5*20	PCS	2	
66	A0007-0631	RETAINER	PCS	1	
67	B0700-5121	CONTACT ARM SET	SET	1	
68	A0711-2411	CONTACT ARM	PCS	1	
69	A0714-0501	SAFETY ELEMENT	PCS	1	
70	A0000-0331	SCREW 5*6	PCS	1	
71	A0000-0591	BHSC SCREW 4*8	PCS	1	
72	A0004-0381	SQUARE NUTS	PCS	1	
73	A0000-0581	SCREW 4*6	PCS	1	
74	A0711-2421	ARM	PCS	1	
75	K0700-5611	MAGAZINE COMPLETE	PCS	1	
75-1	A0702-0981	MAGAZINE	PCS	1	
75-2	A0919-5601	DECORATION LABEL AT2550A	PCS	1	
76	A0700-2011	MAGAZINE COVER(FOR BEL&FIN)	PCS	1	BEL,FIN
77	A0100-0241	COMPRESSION SPRING	PCS	1	
78	A0706-1531	SUPPORT	PCS	1	
79	A0011-0151	SPRING PIN 3*28	PCS	4	
80	A0707-1931	PUSHER	PCS	1	
81	A0102-0151	SPRING	PCS	1	
82	A0703-0271	SPRING GUIDE	PCS	1	
83	A0200-0811	O-RING 11.8*1.5	PCS	1	
84	A0005-0291	PIN RETAINER 6*2.9	PCS	1	
85	A0100-2461	SPRING	PCS	1	
87	A0913-0011	ALLEN WRENCH	PCS	1	
88	A0907-0001	OIL POT	PCS	1	
89	A0908-0171	SAFETY GOGGLE	PCS	1	
90	A0902-1271	COLOR BOX AT2550A	PCS	1	
91	A0307-0581	AIR PLUG(FOR BEL&FIN)	PCS	1	BEL,FIN